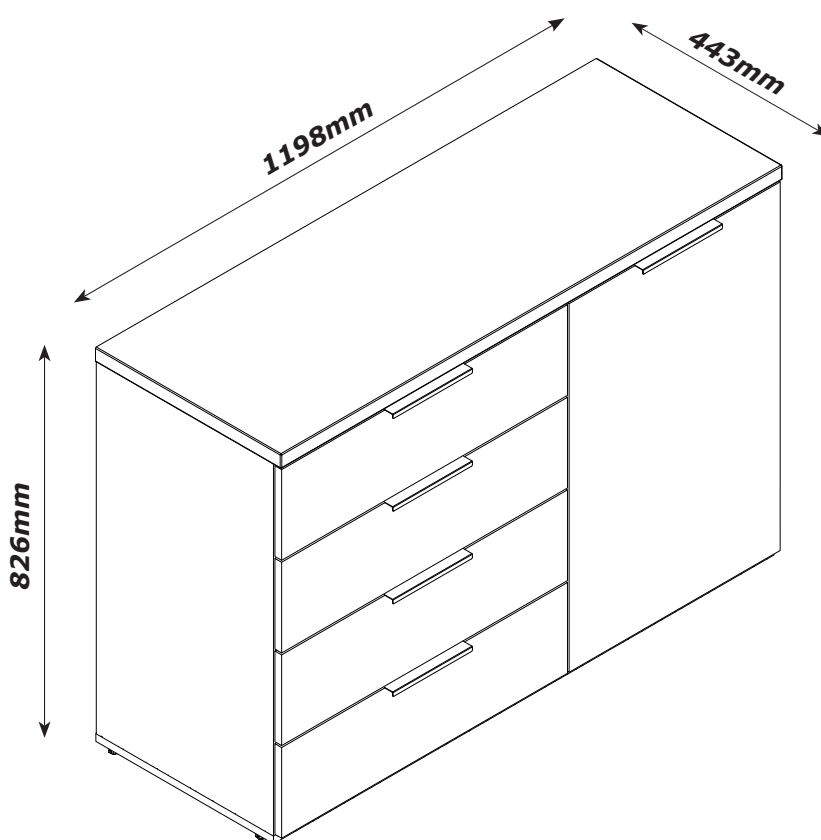
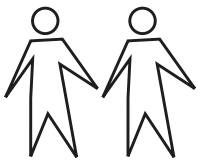


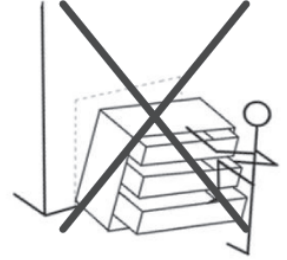
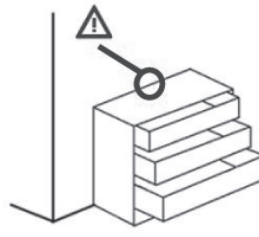
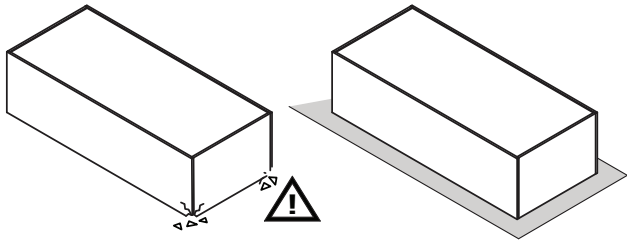
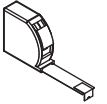
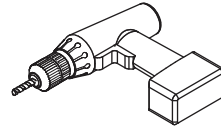
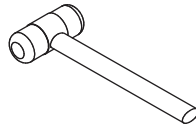
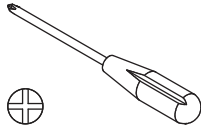
BS0365K76805



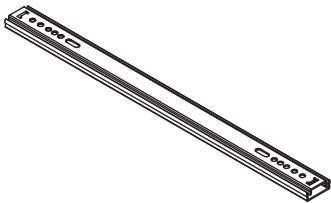
QF6047



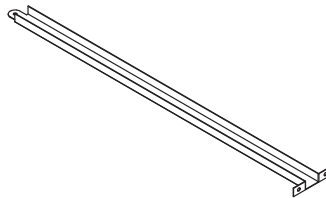
2h



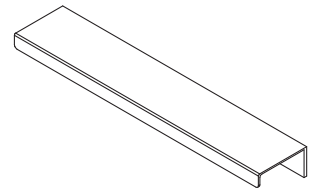
BU4883



A34
x8

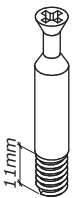


W398
x4



M94
x5

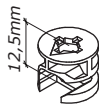
BU4754



T28
x14



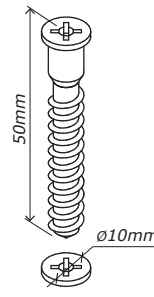
H325
x12



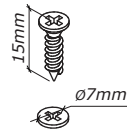
T7
x6



T98
x8



V45
x6



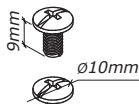
V5
x60



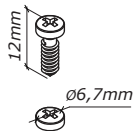
R40
x4



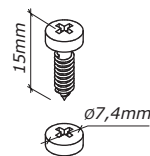
H54
x26



V38
x8



V98
x12



V81
x4



T134
x6



P39
x6



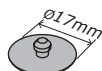
H113
x8



H129
x4



H210
x1



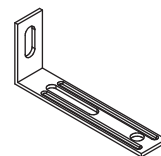
G136
x8



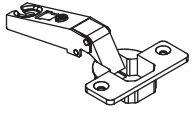
G31
x2



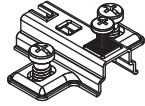
H2
x34



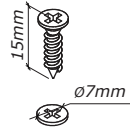
H185
x2



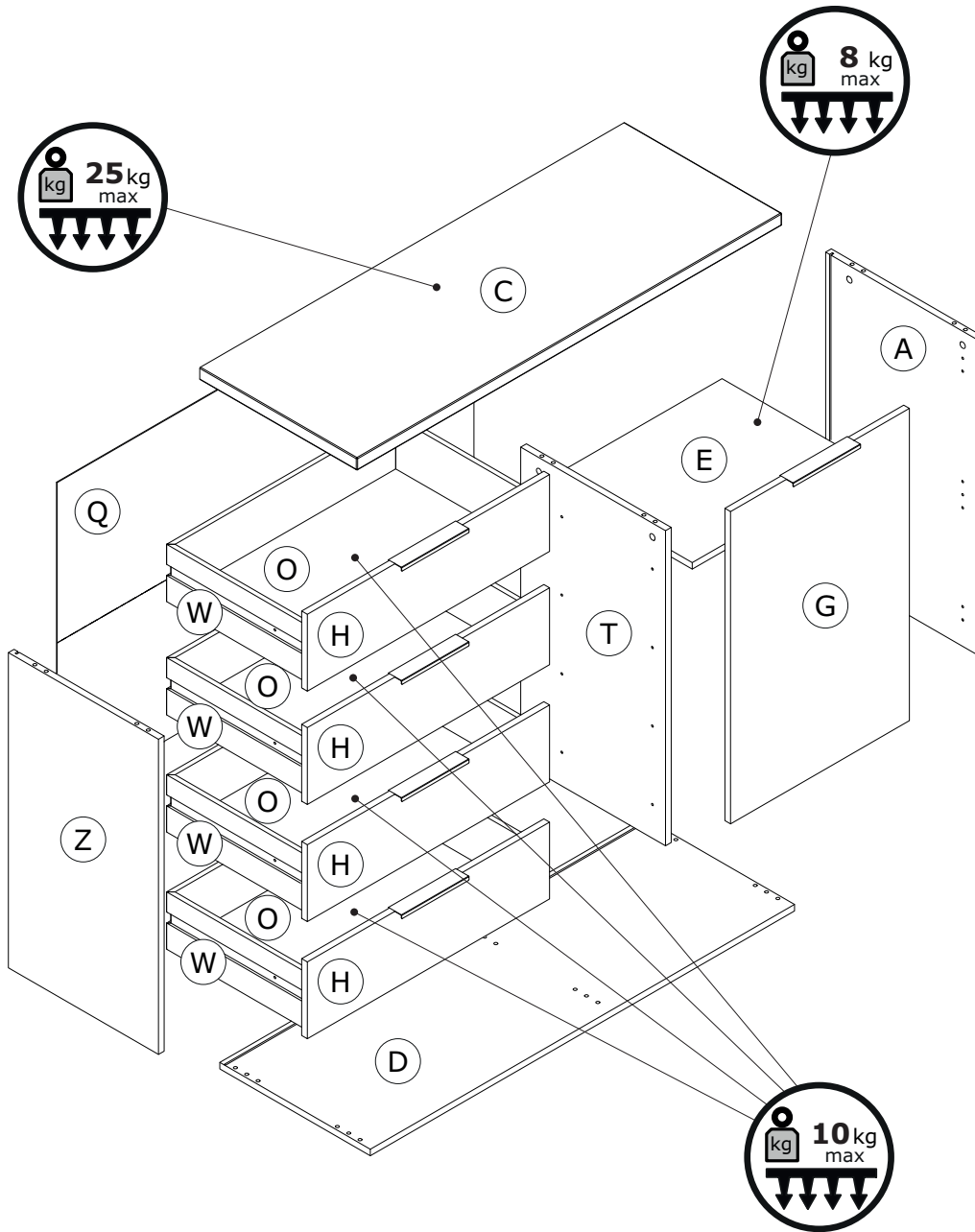
C66
x2

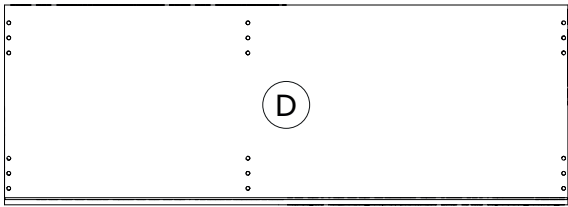


B23
x2

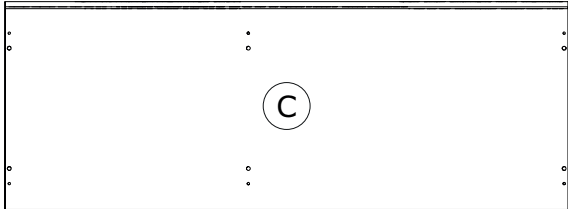


V5
x4

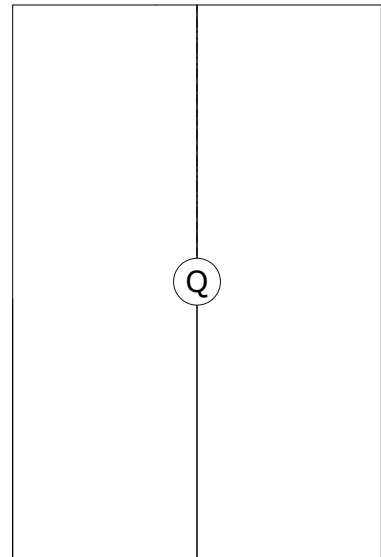




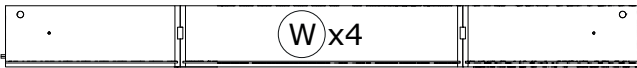
BA2347
1198x425x16mm



CA3993
1198x443x30mm

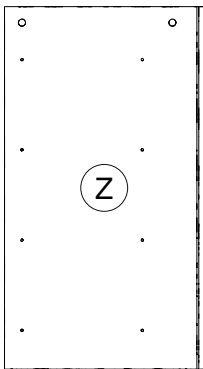


SH3654
1177x784x2mm

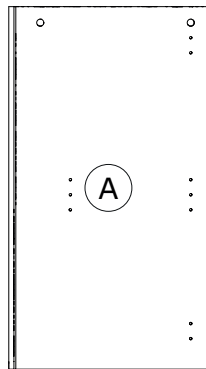


OF0681
400x647x400mm H.140mm

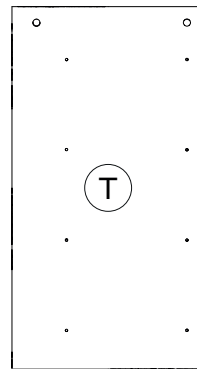
BOX 1/2



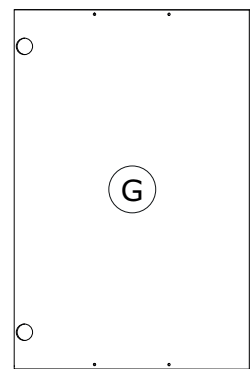
FI9163
771x424x16mm



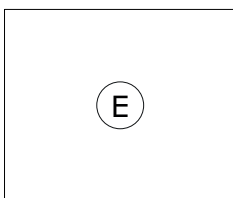
FI9161
771x424x16mm



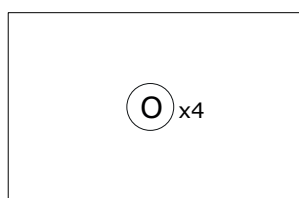
TR2439
771x409x16mm



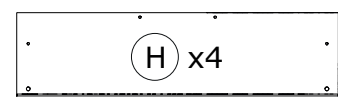
AN3136
764x505x16mm



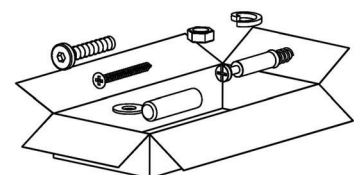
PI7477
492x408x16mm



SH3537
634x401x2mm

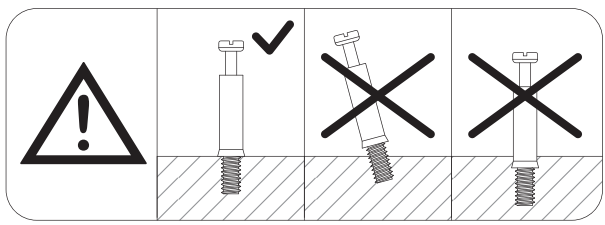
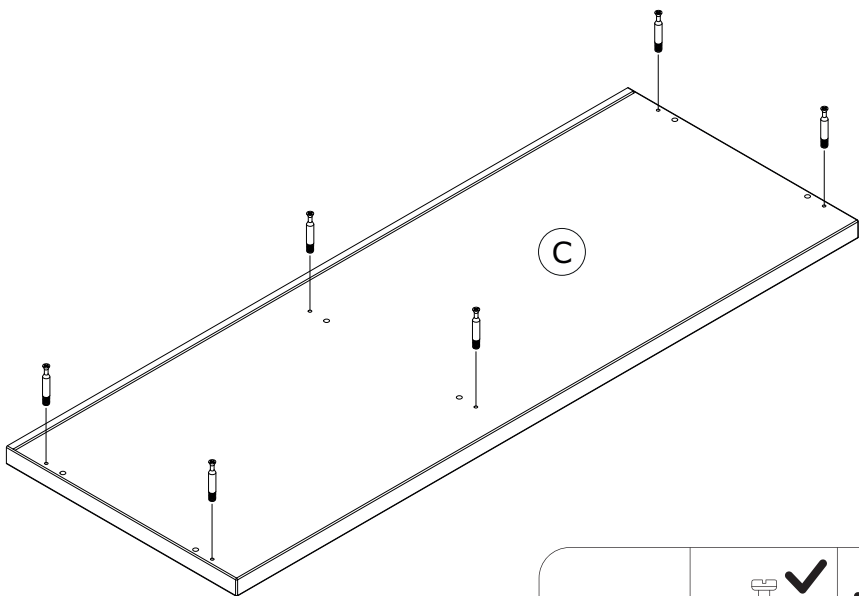
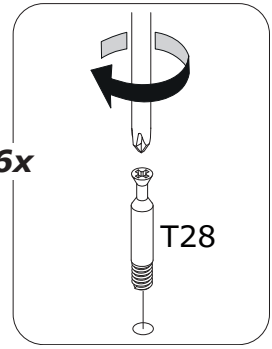
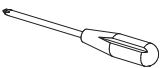


CS3959
684x188x16mm

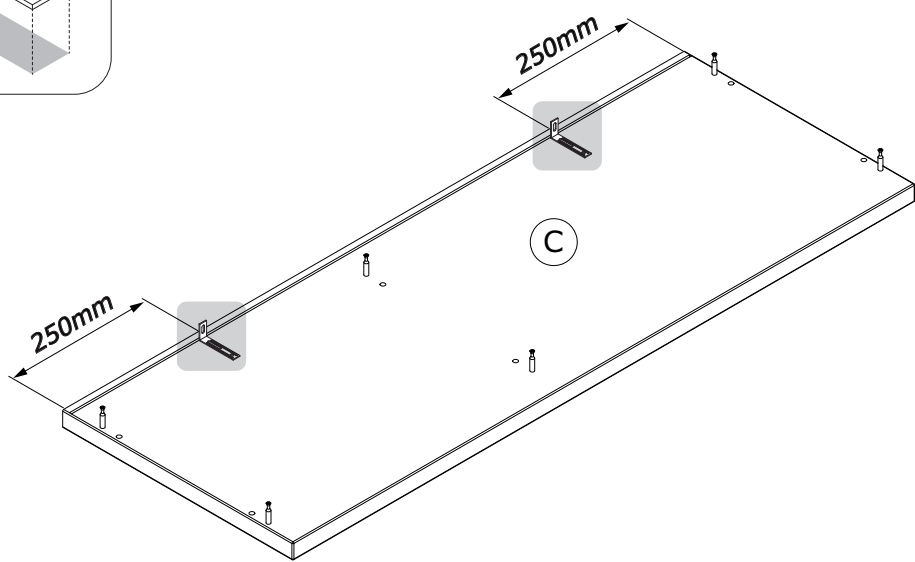
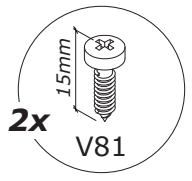
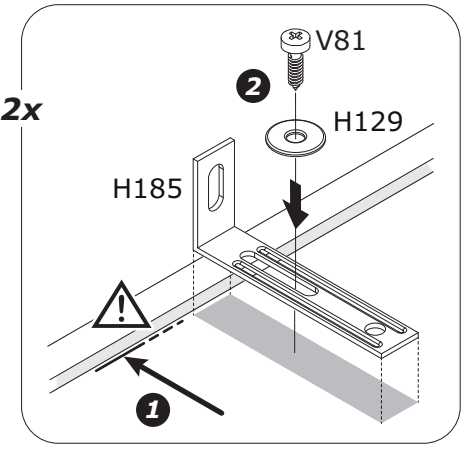
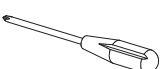


BOX 2/2

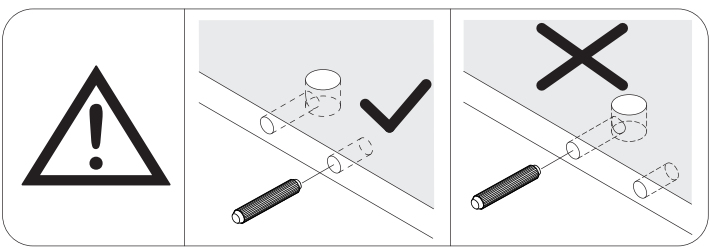
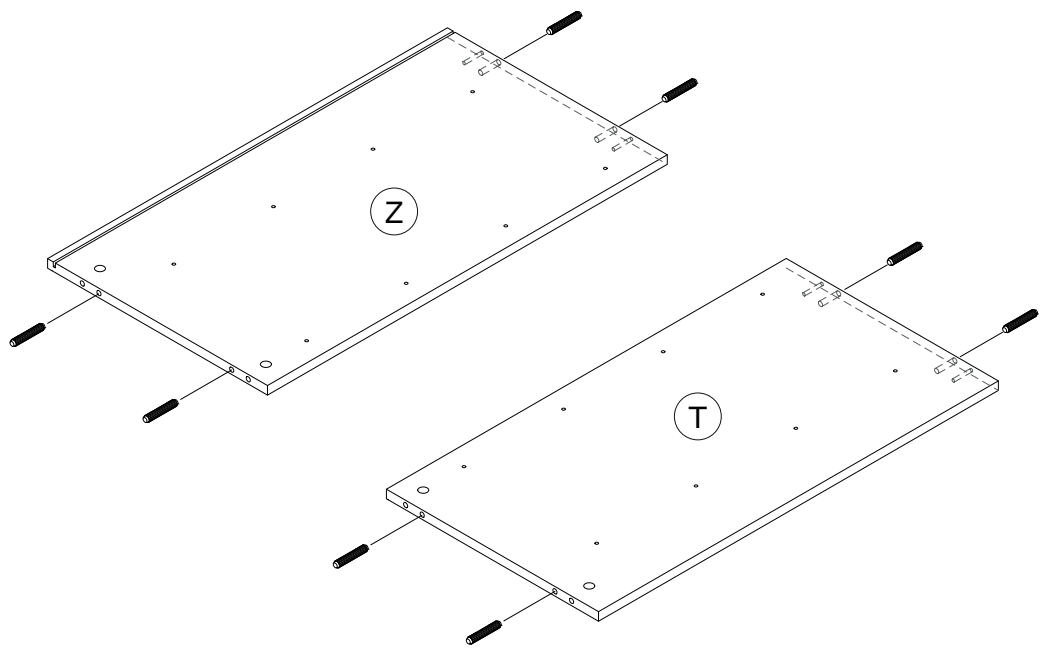
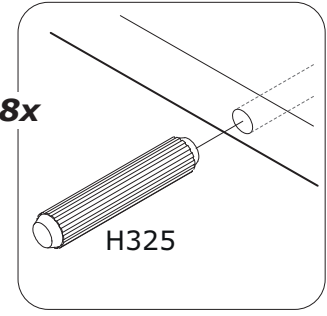
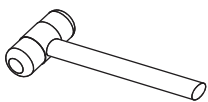
1



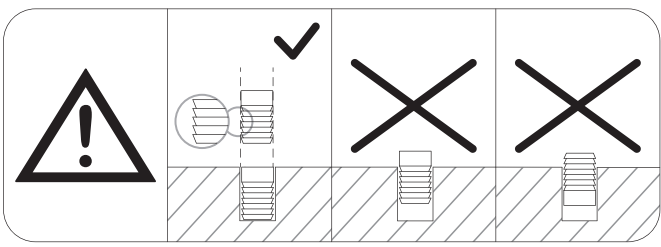
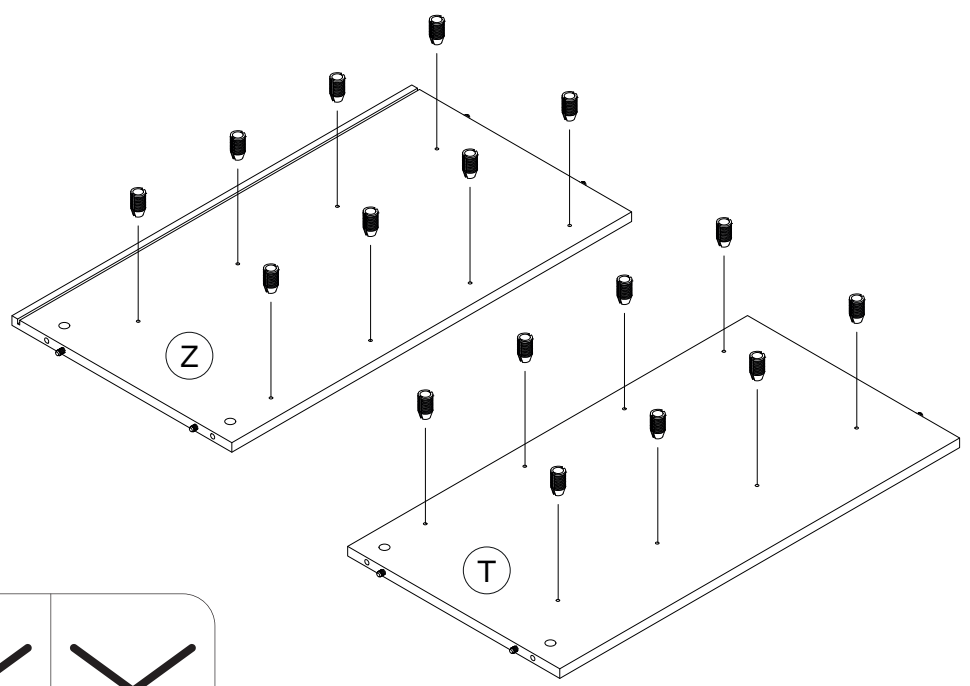
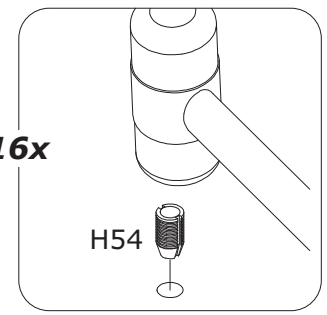
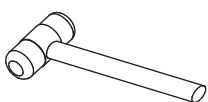
2



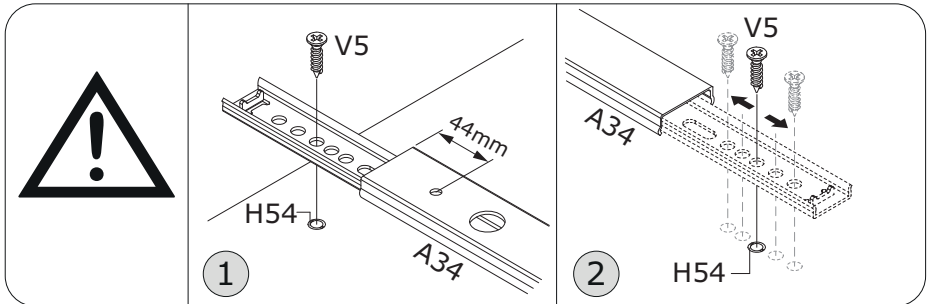
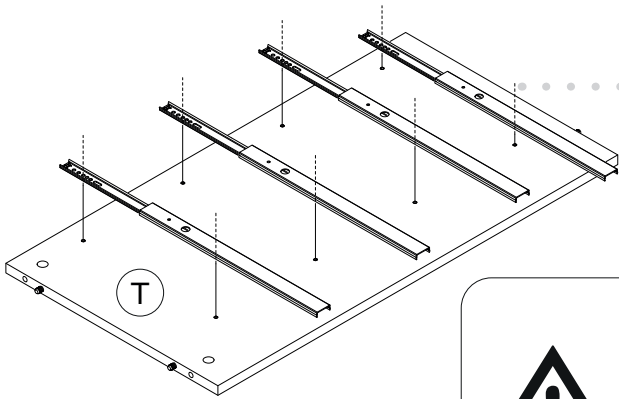
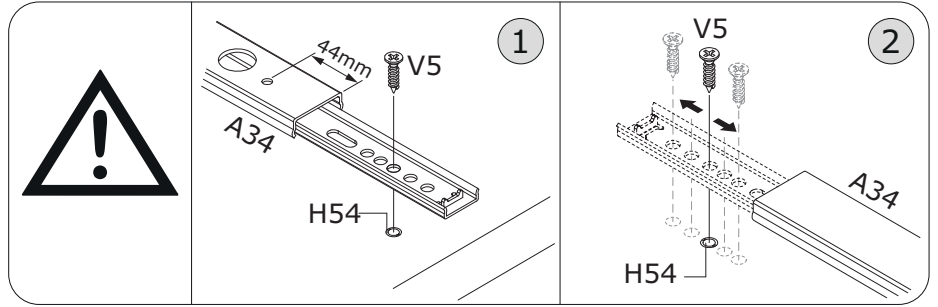
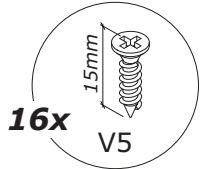
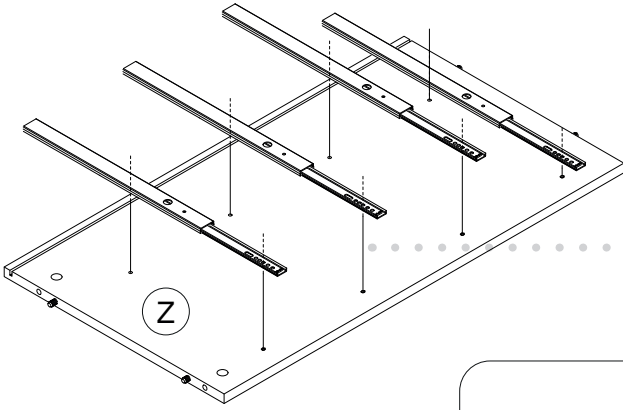
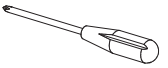
3



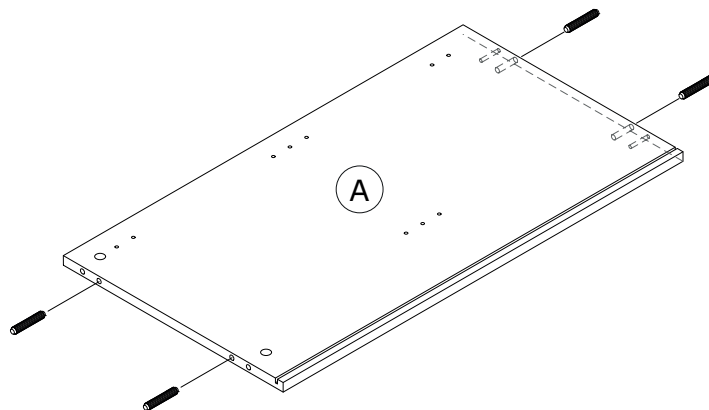
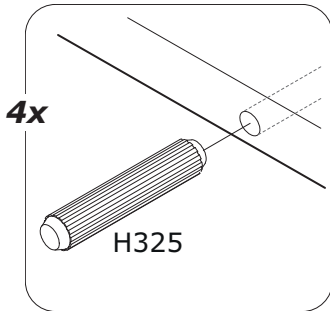
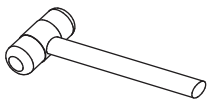
4



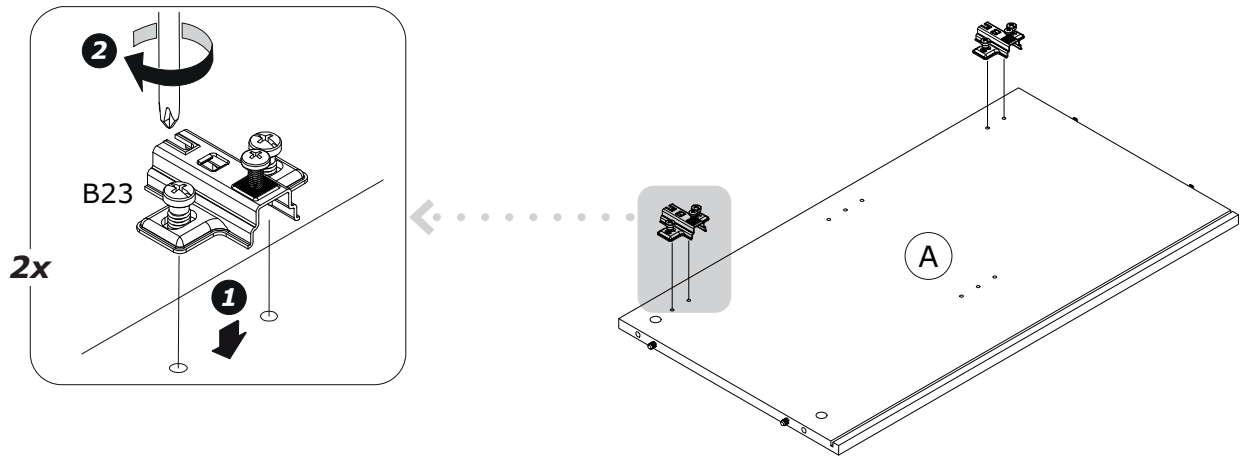
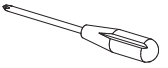
5



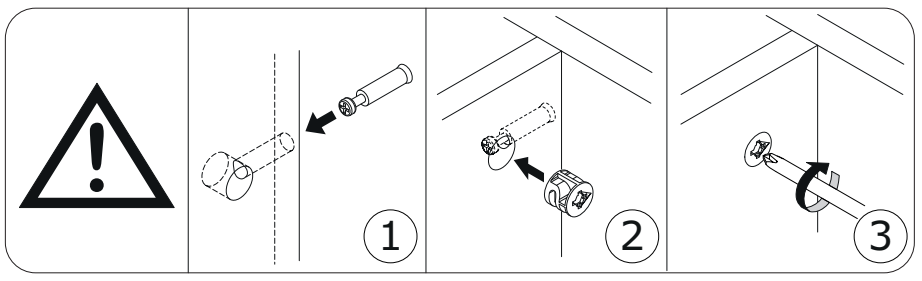
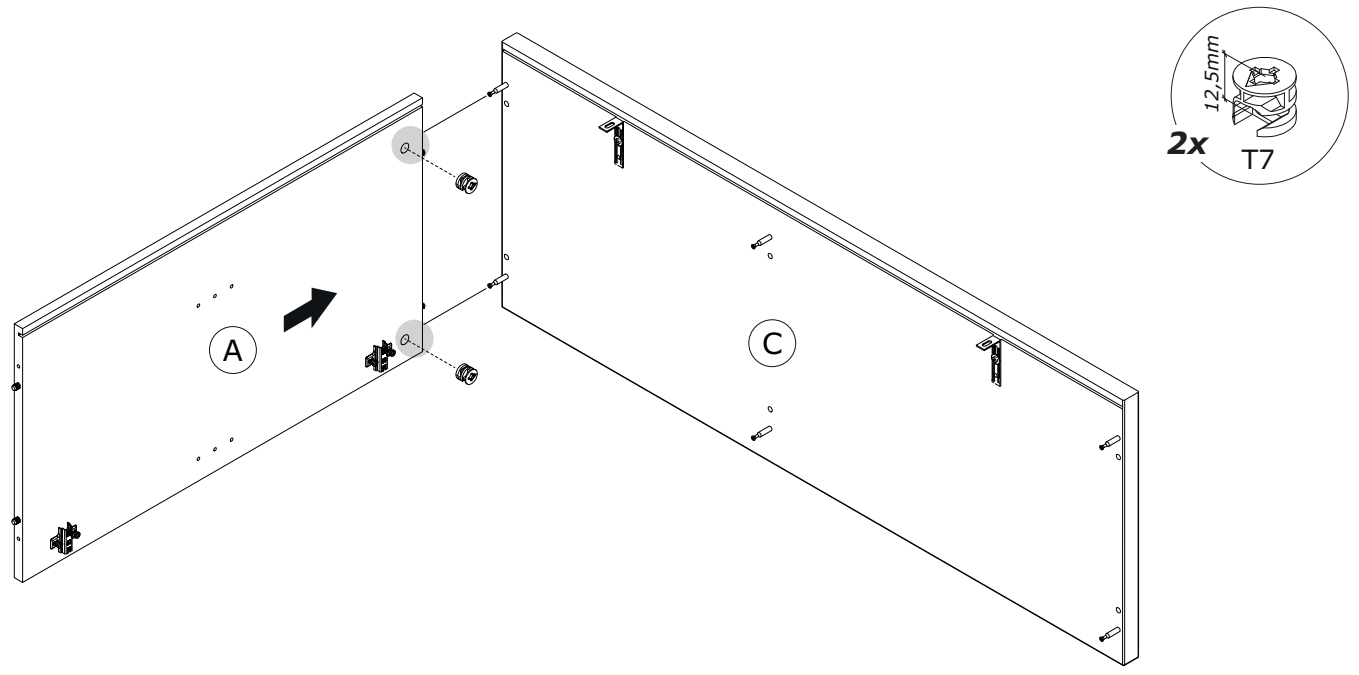
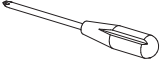
6



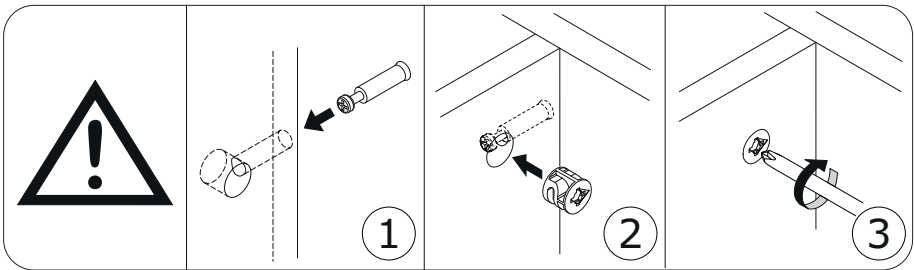
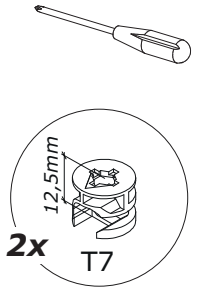
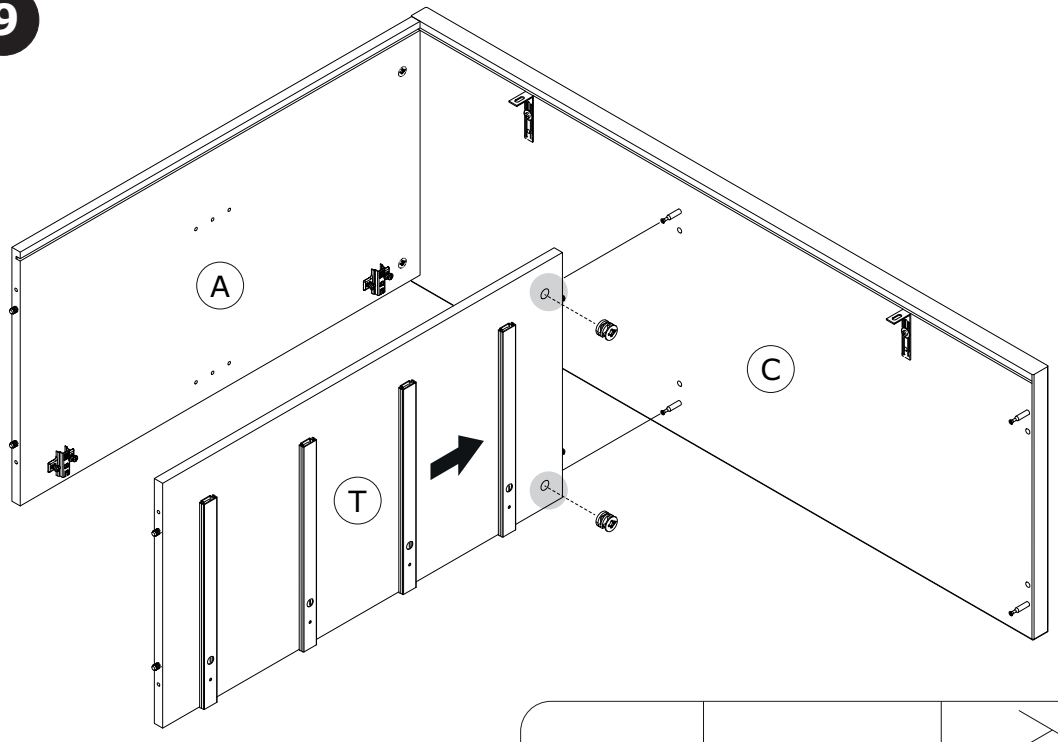
7



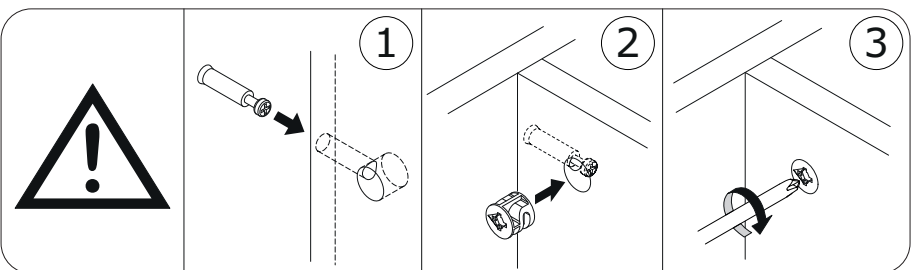
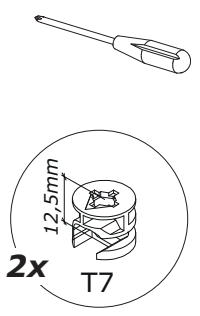
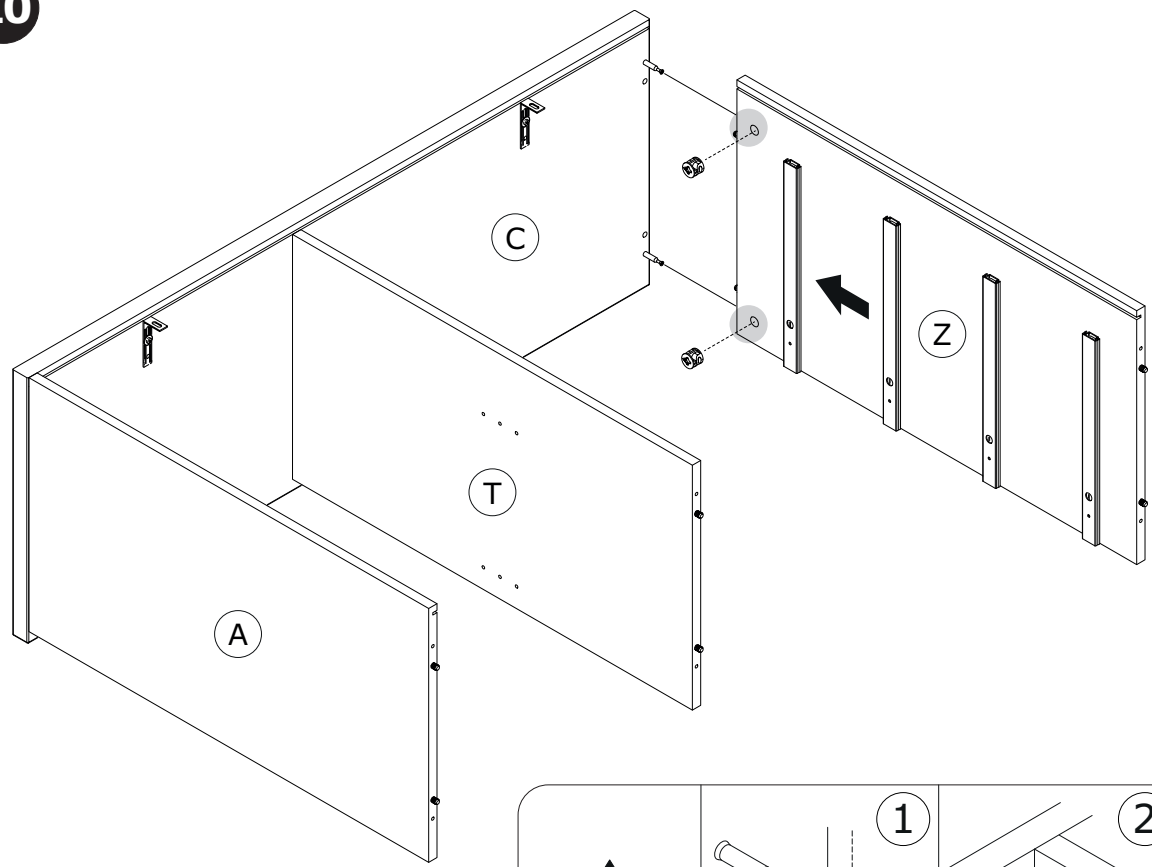
8



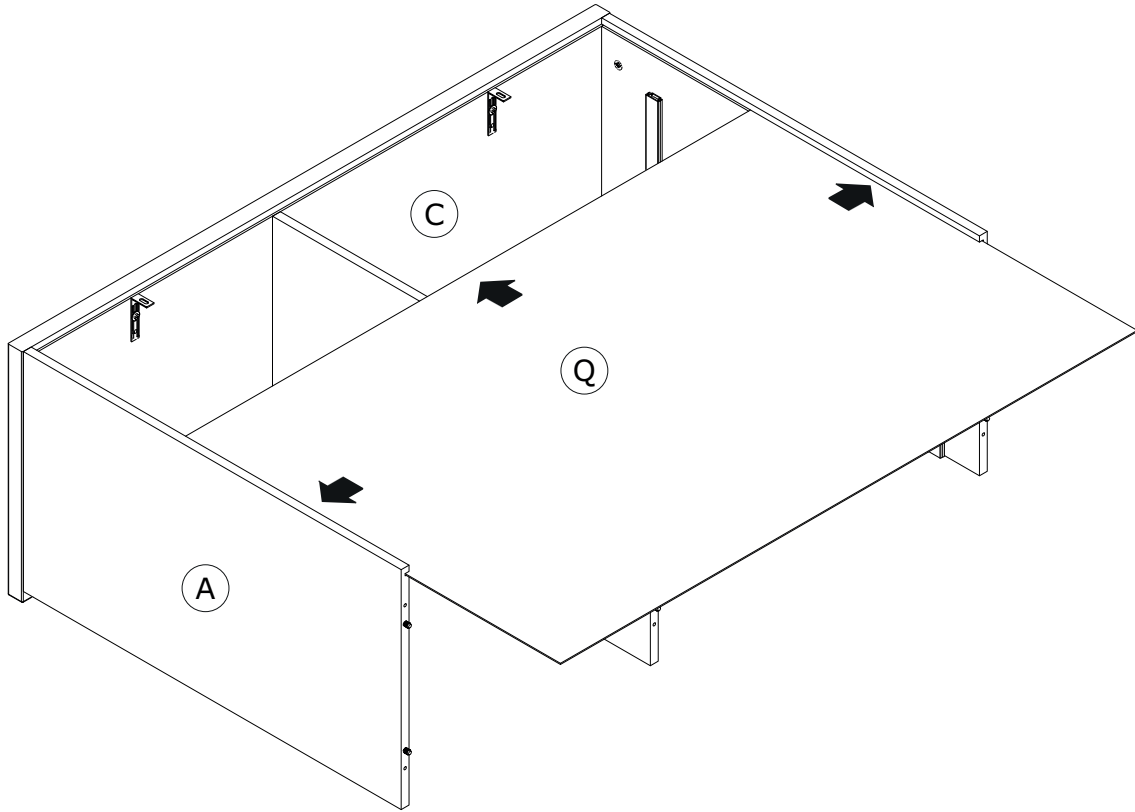
9



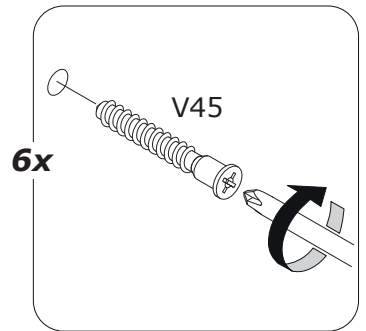
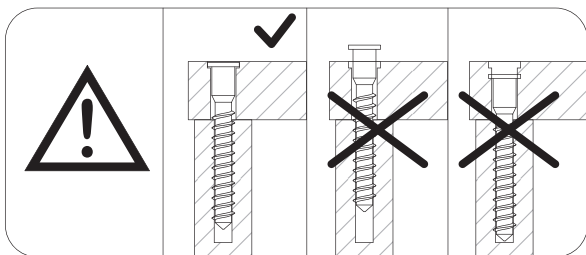
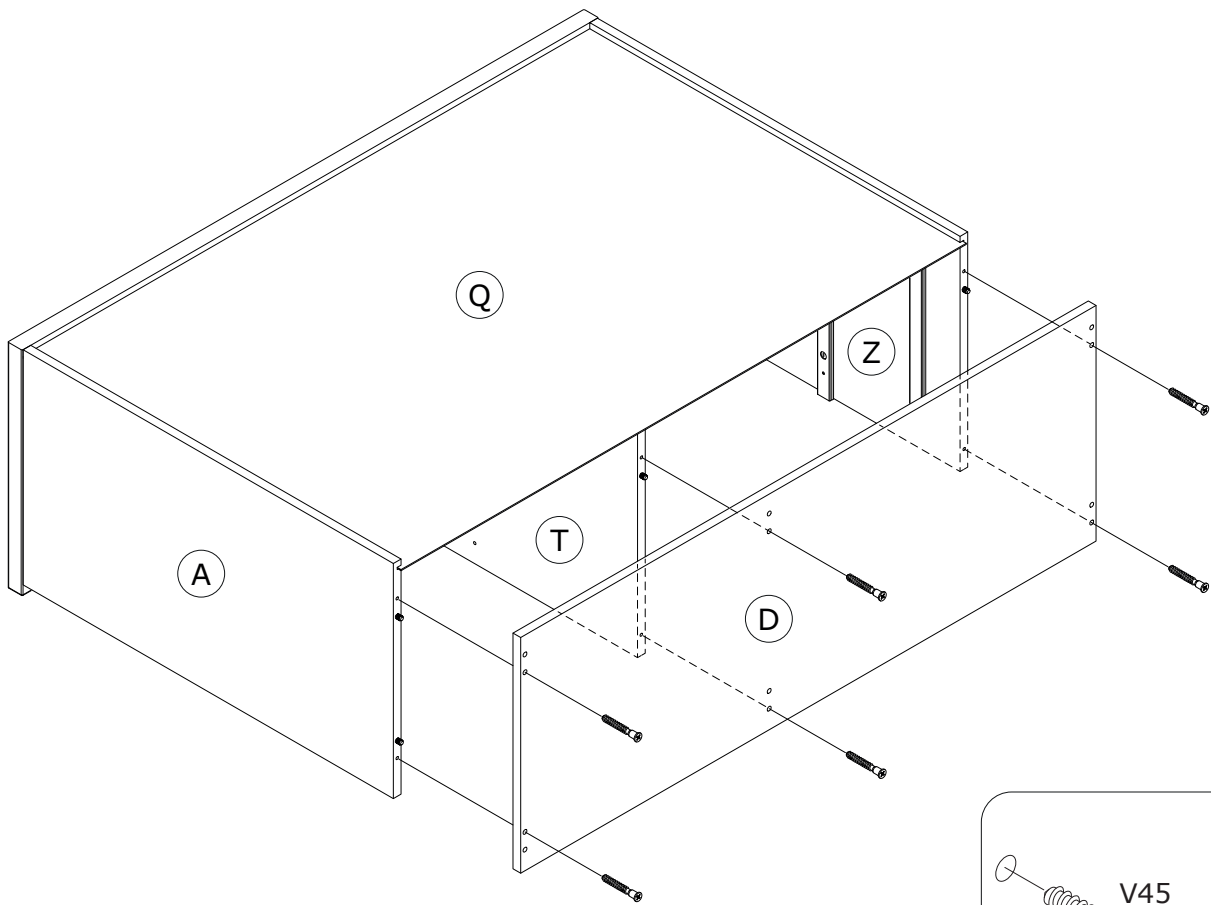
10

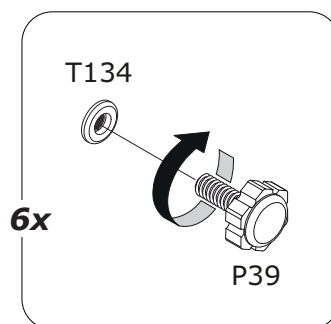
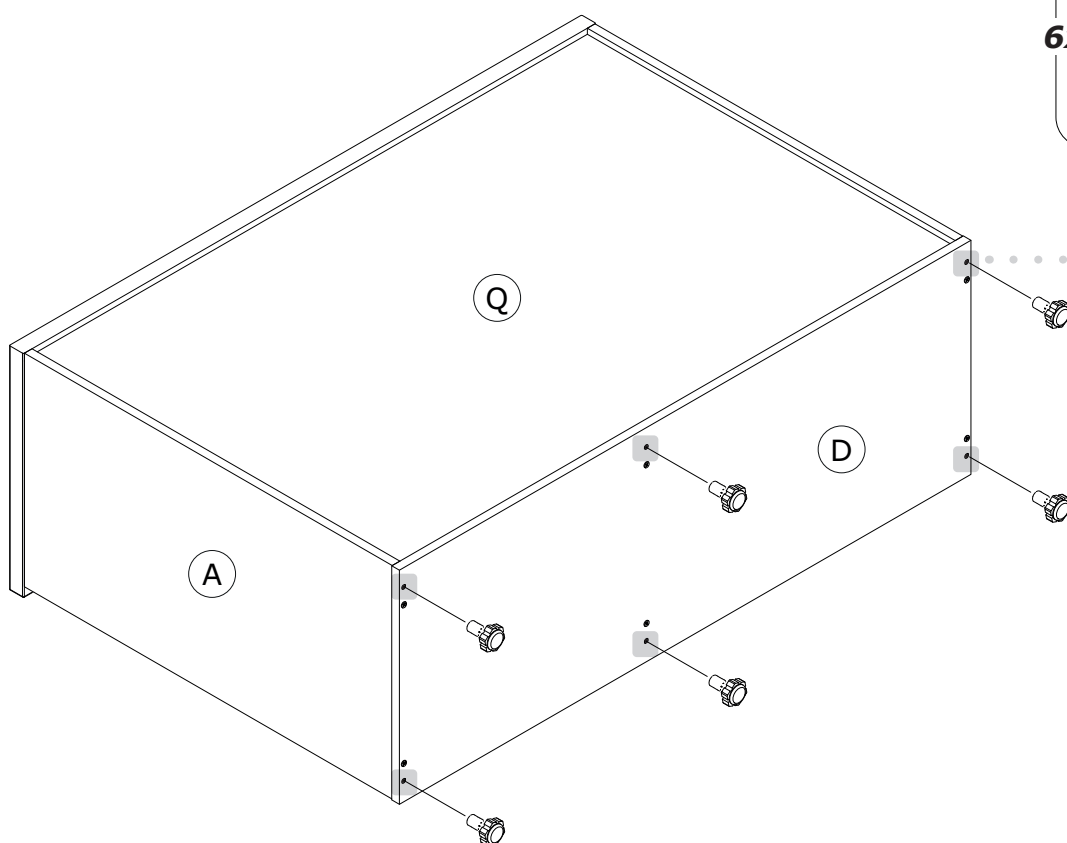
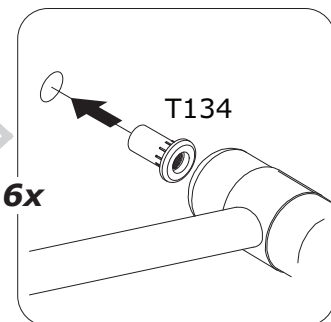
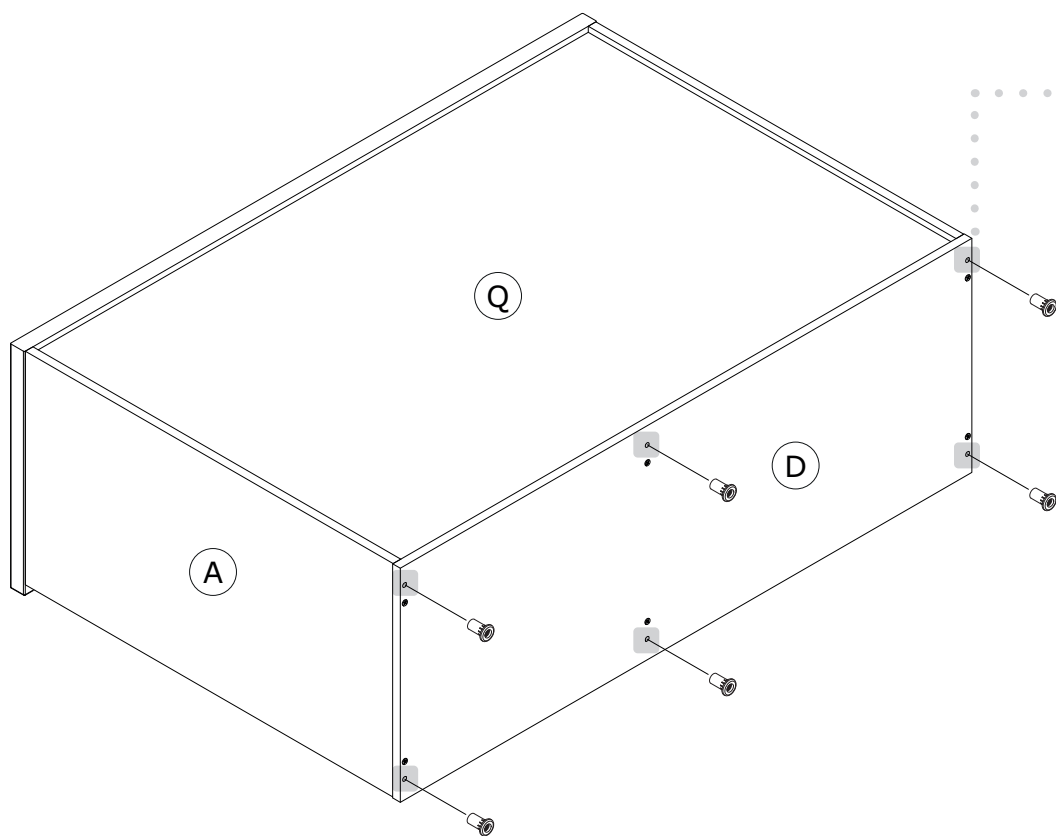
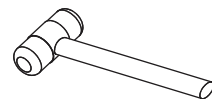


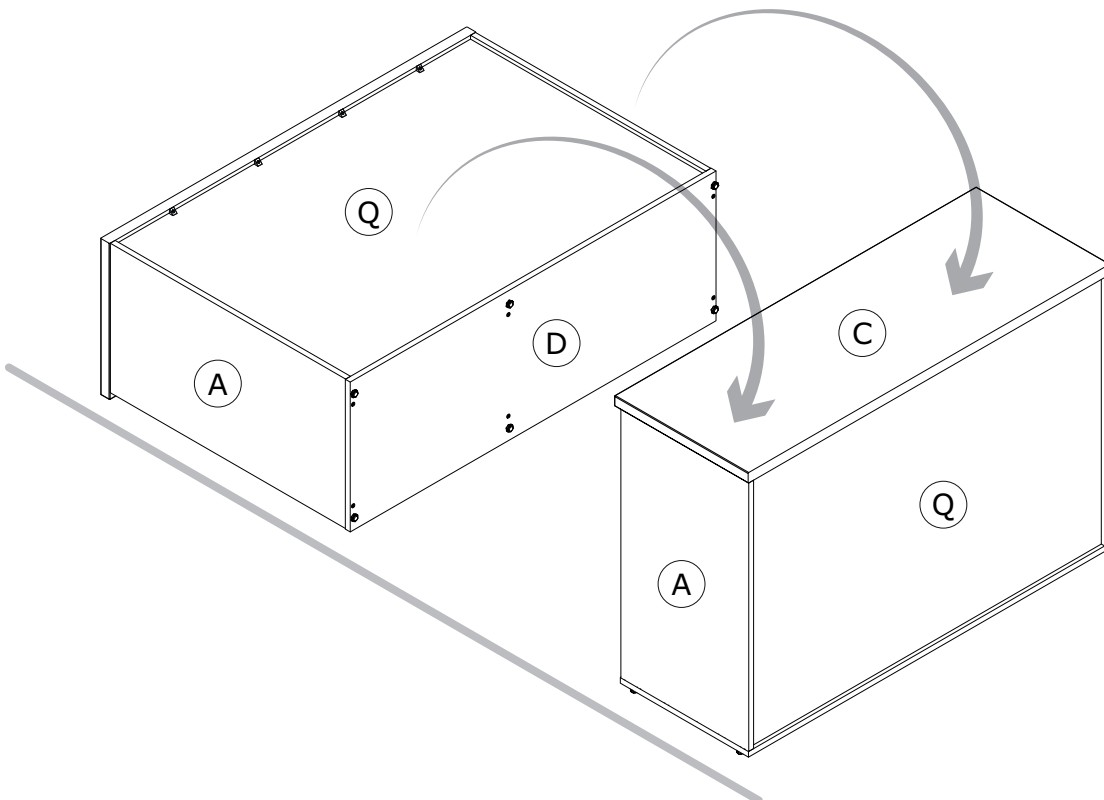
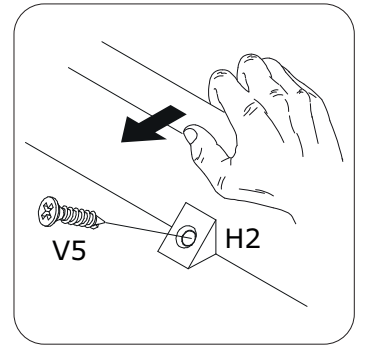
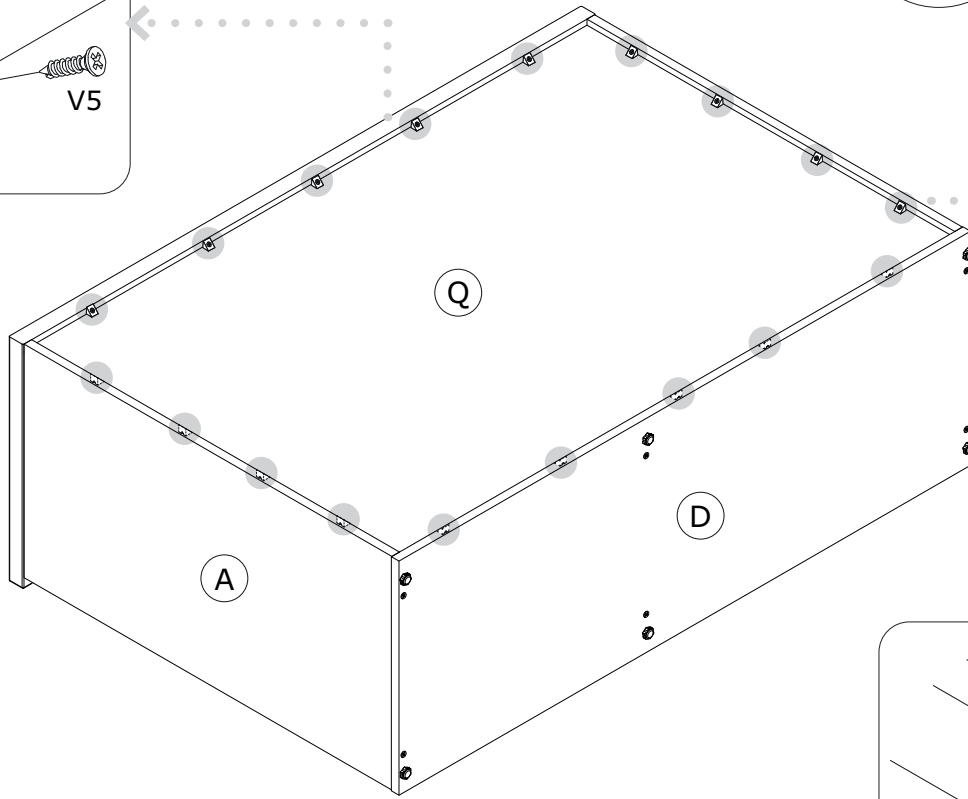
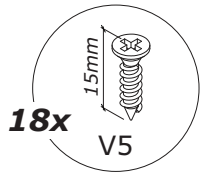
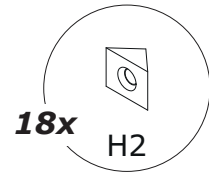
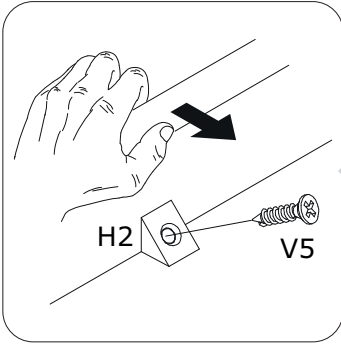
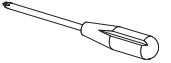
11

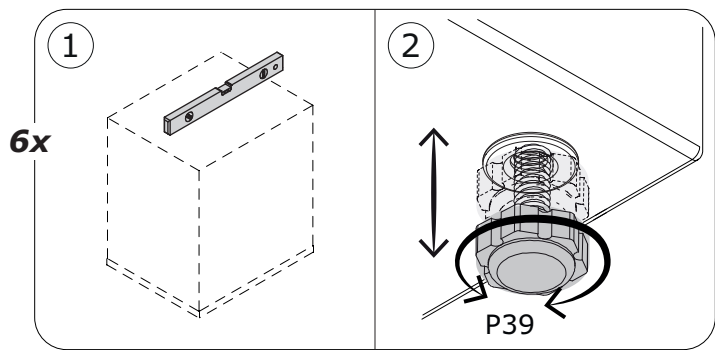
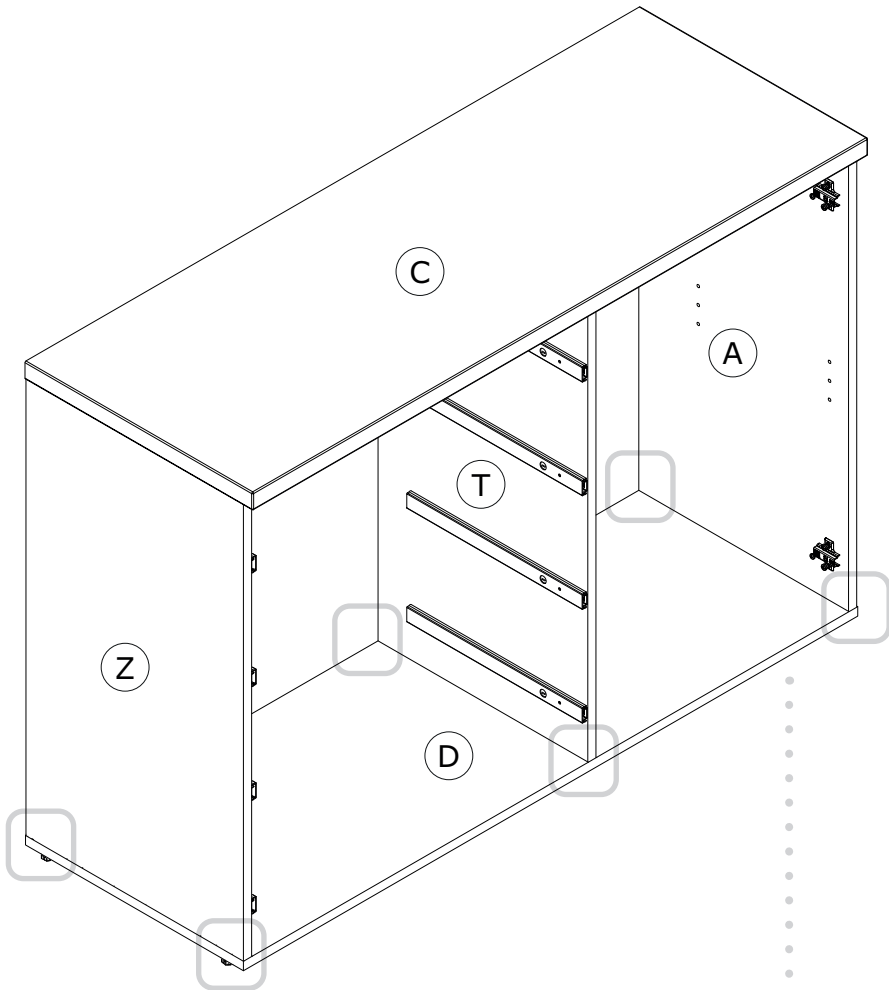
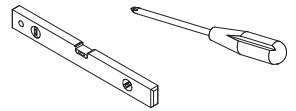


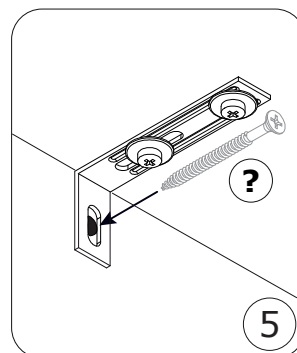
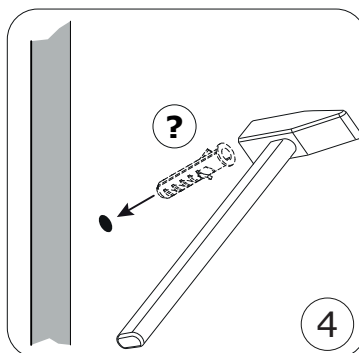
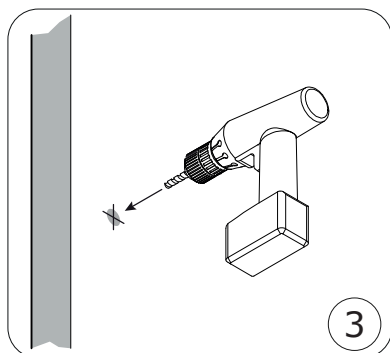
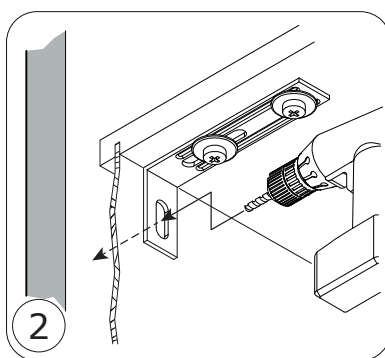
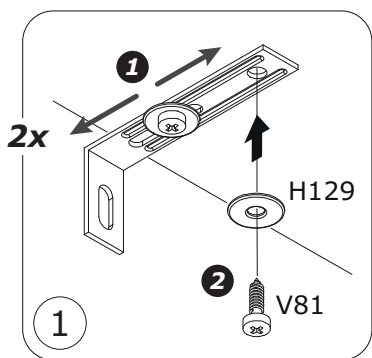
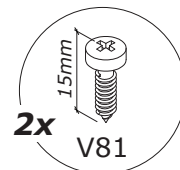
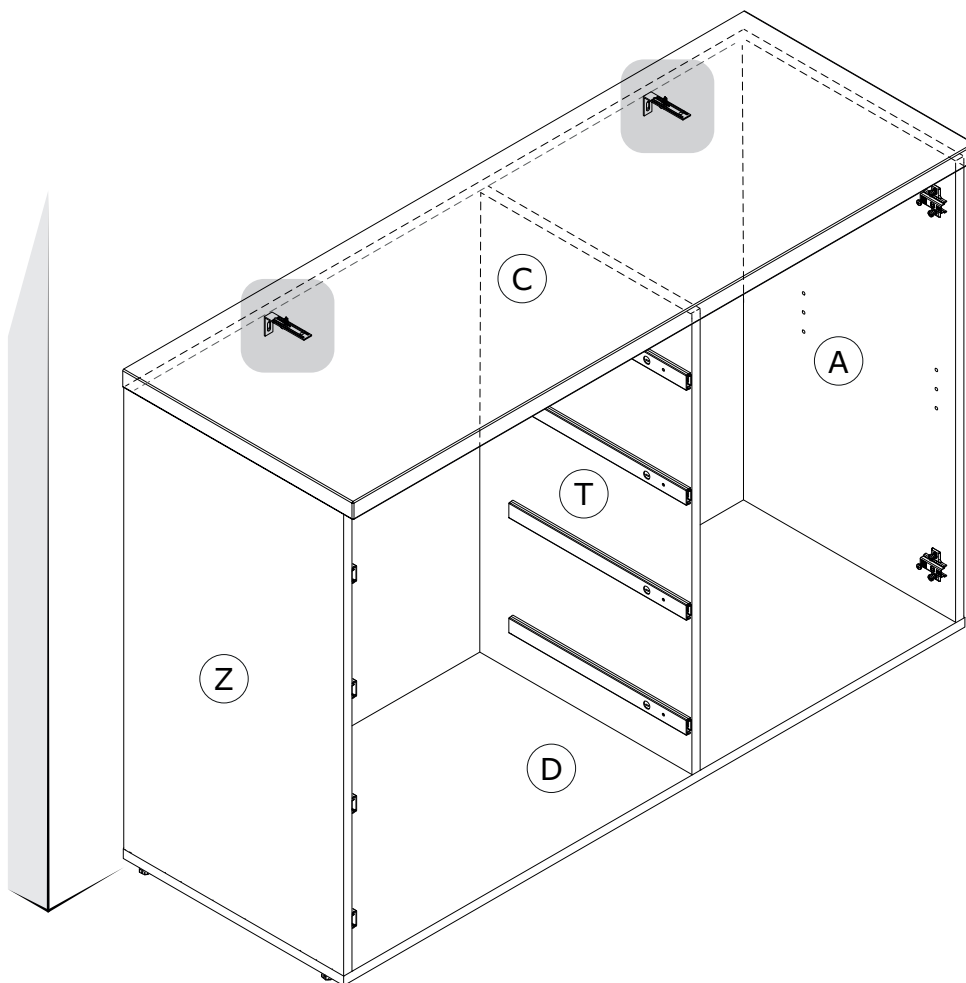
12



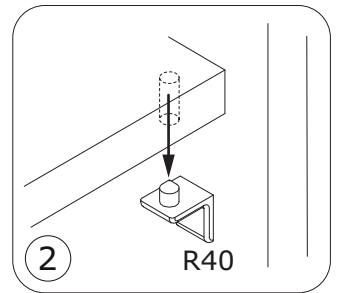
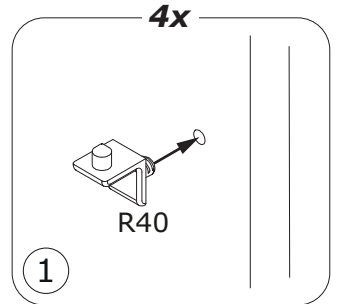
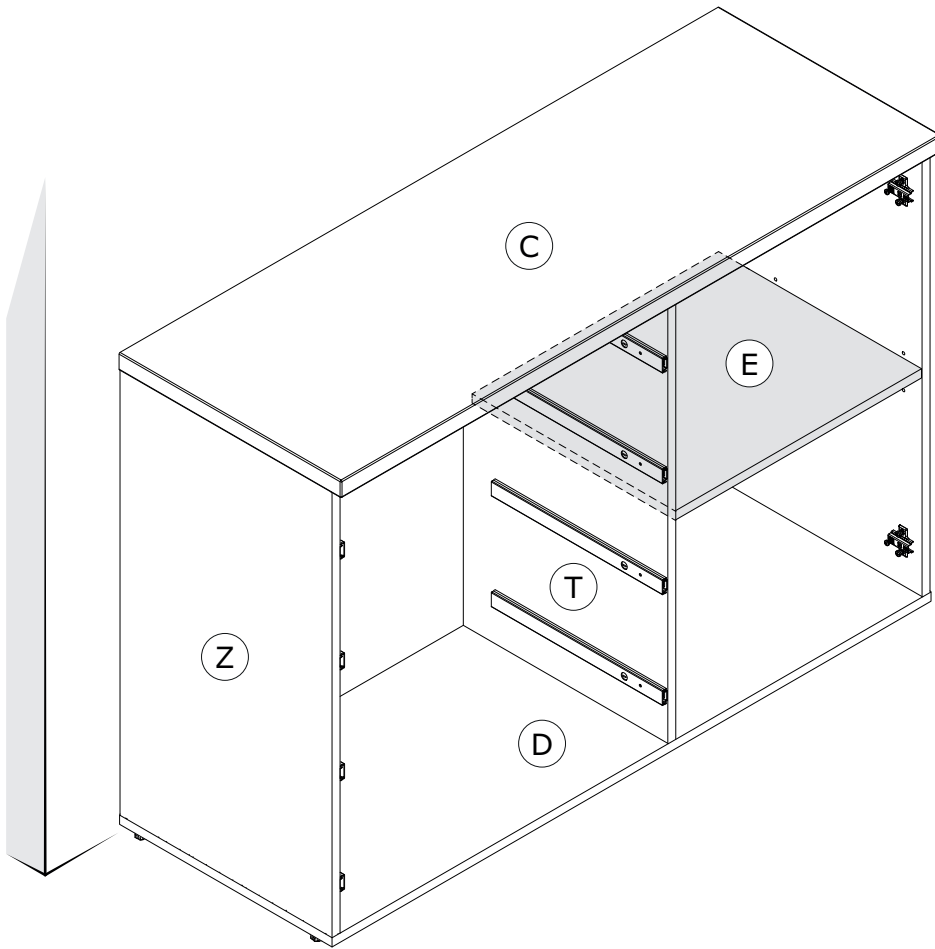




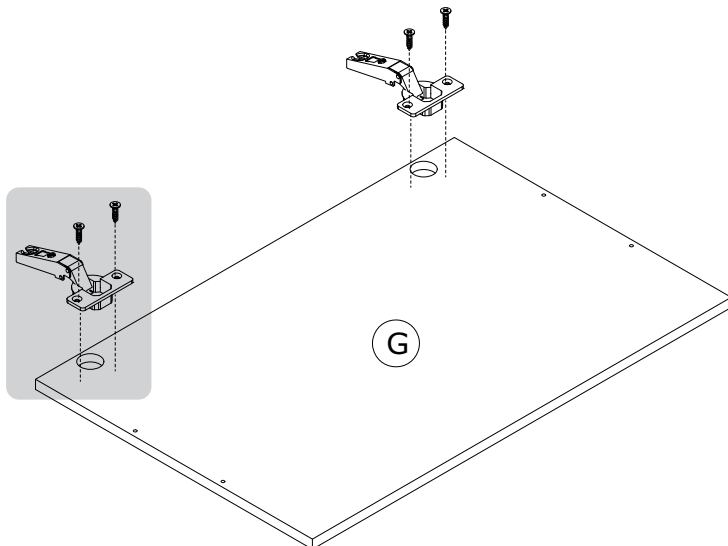
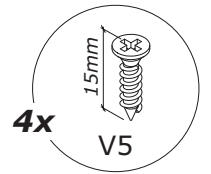
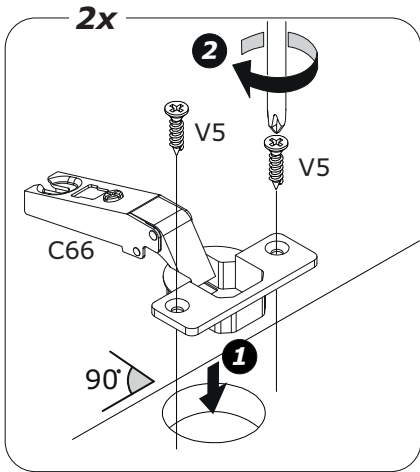
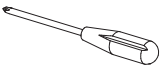




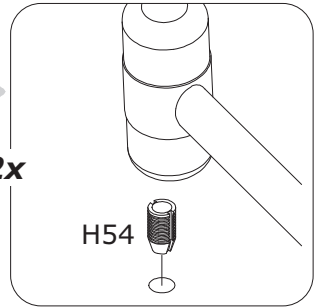
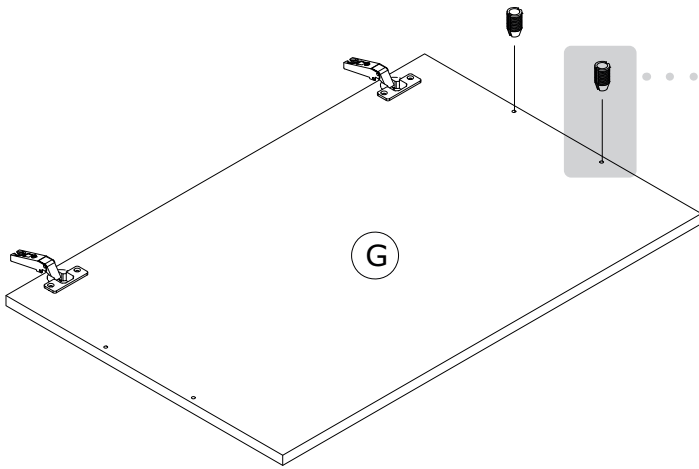
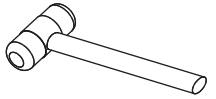
17



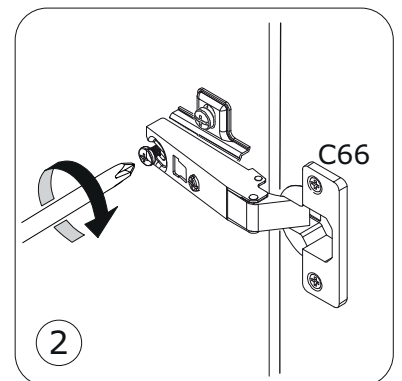
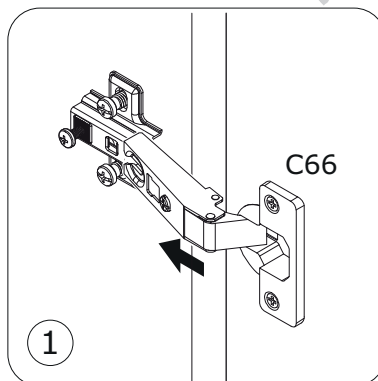
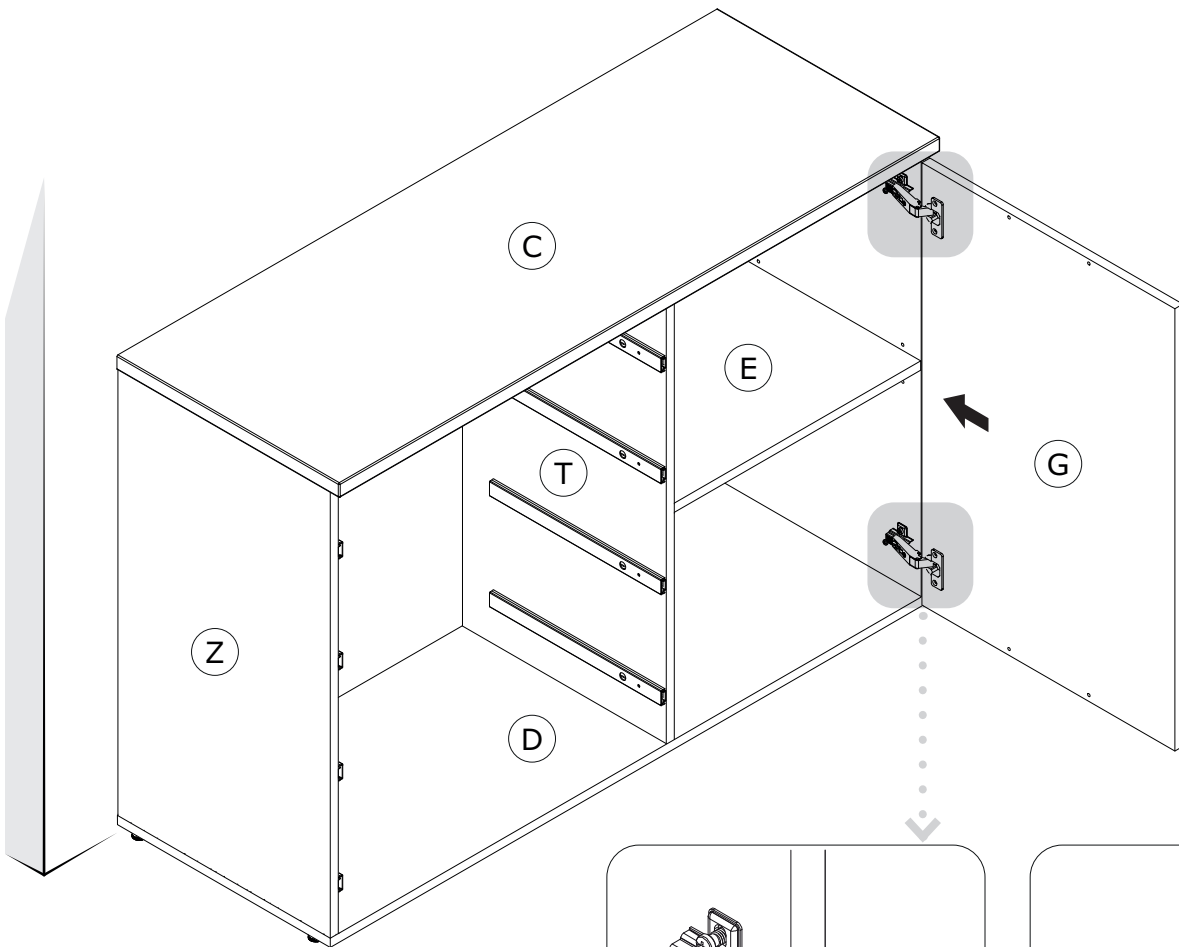
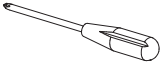
18



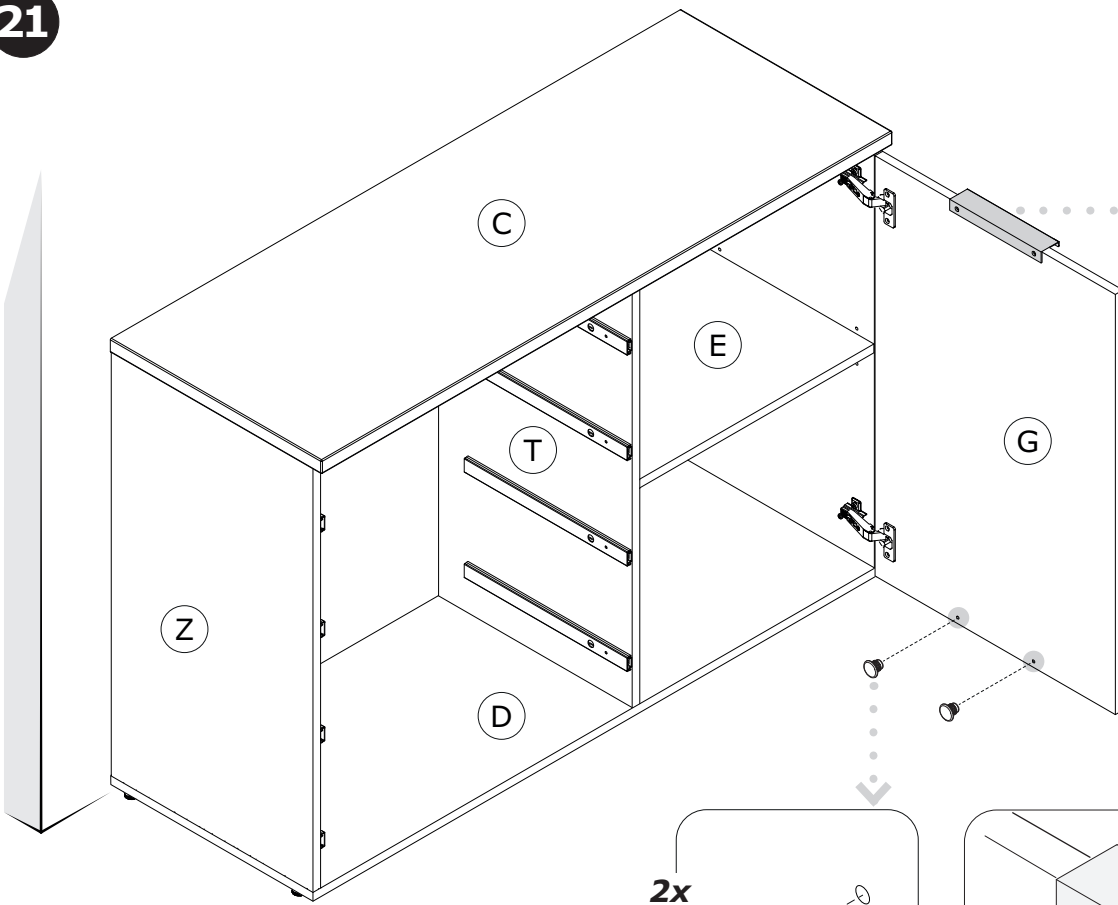
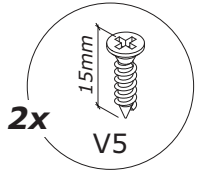
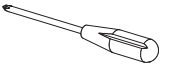
19



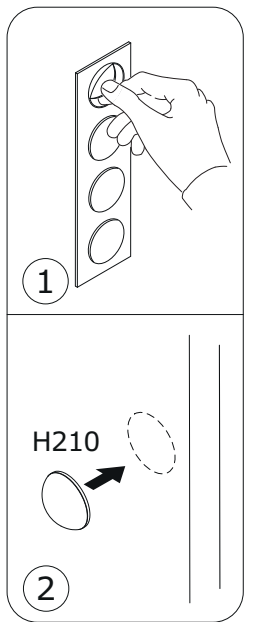
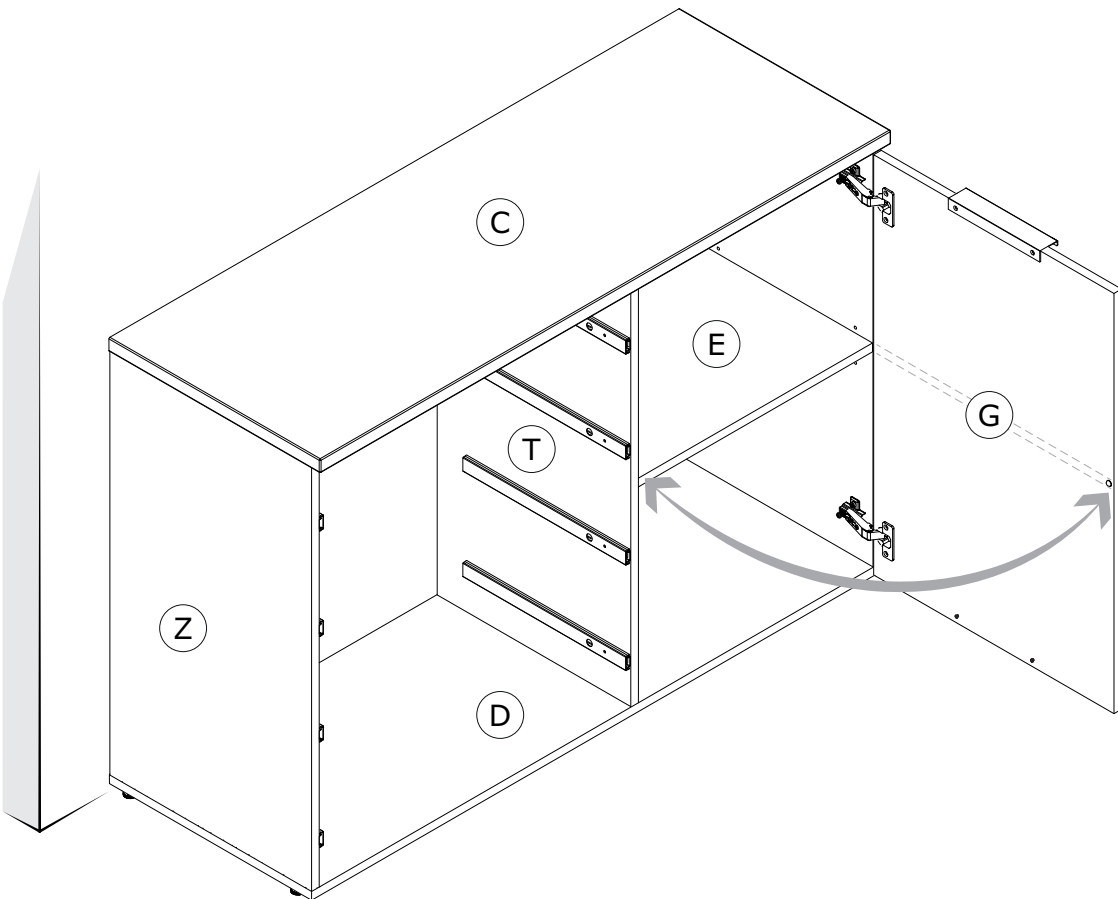
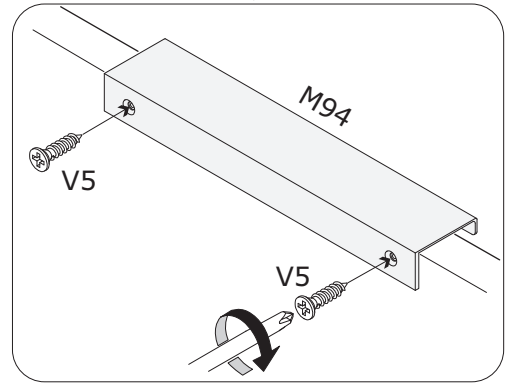
20



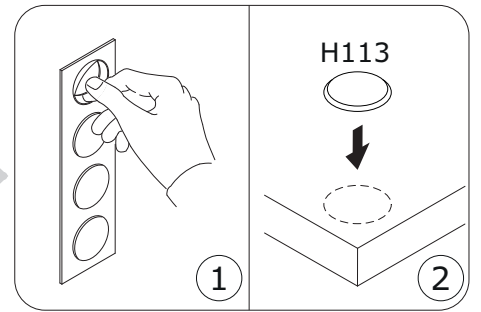
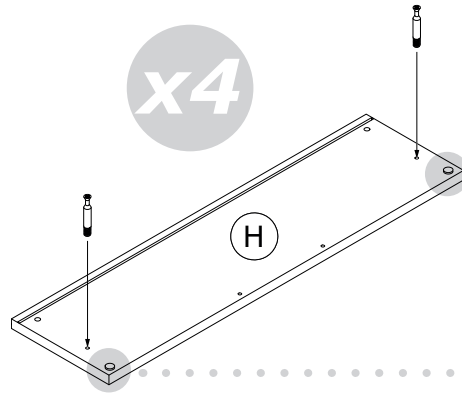
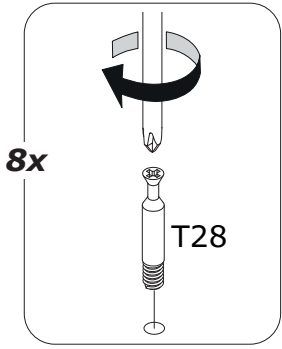
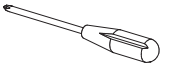
21



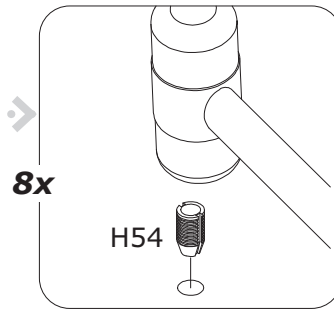
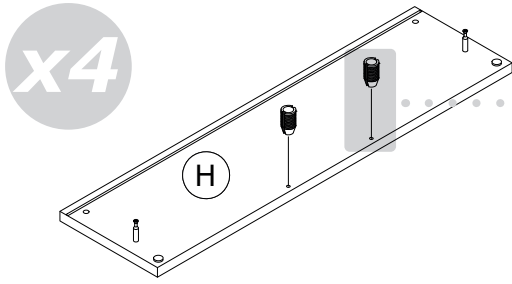
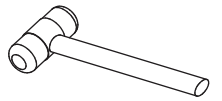
2x



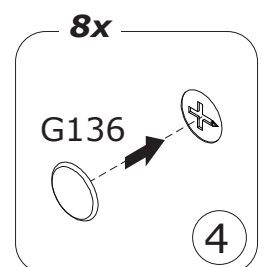
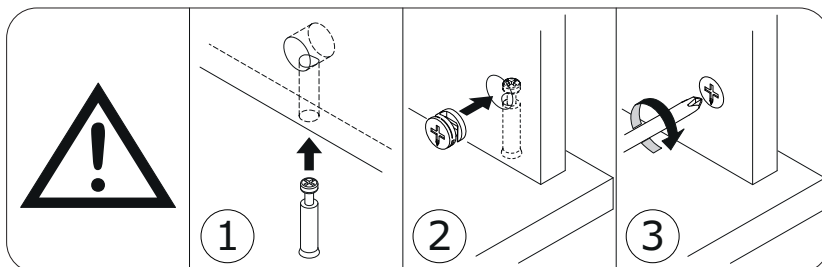
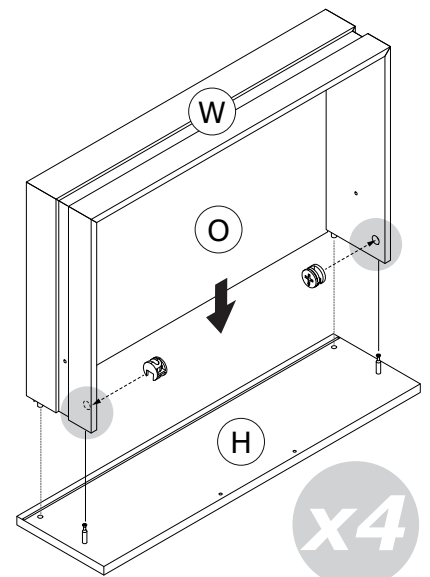
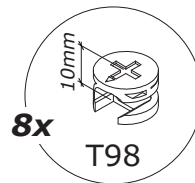
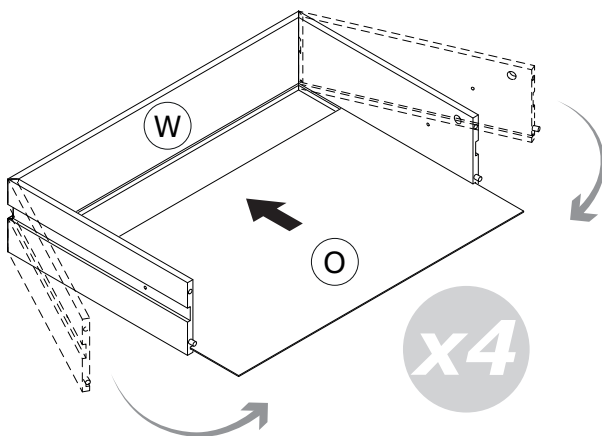
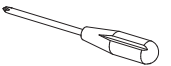
22



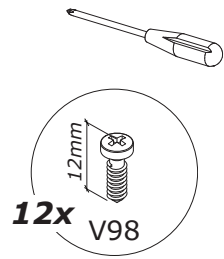
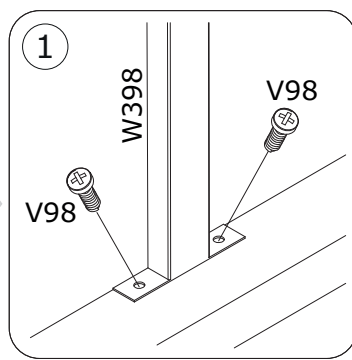
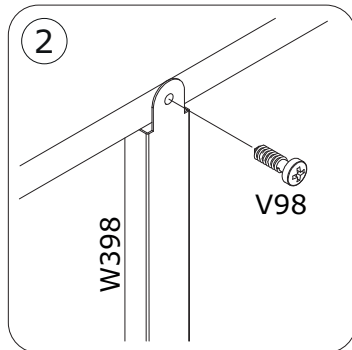
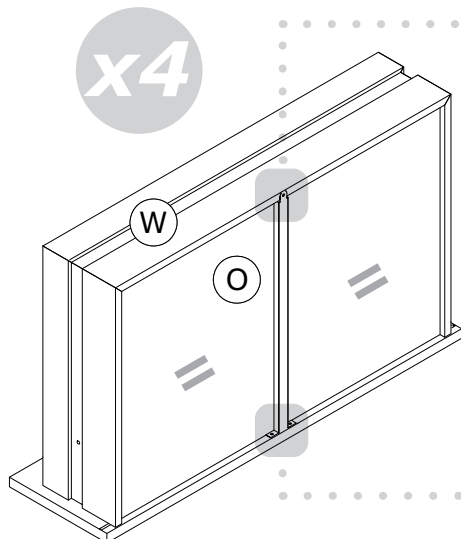
23



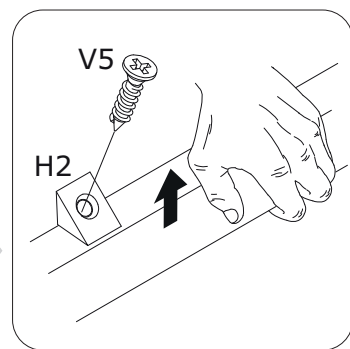
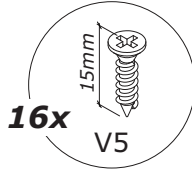
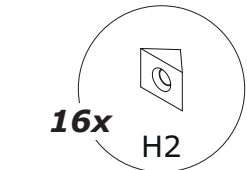
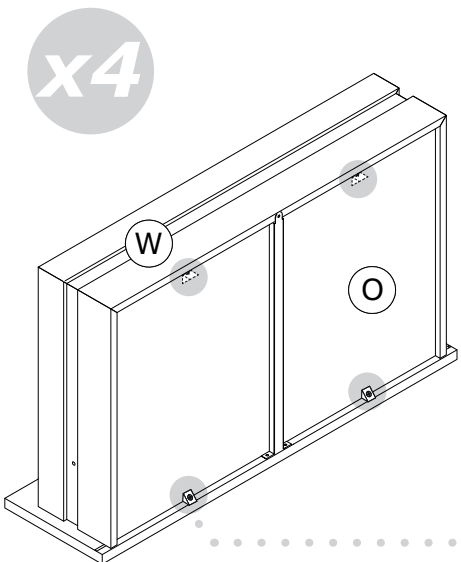
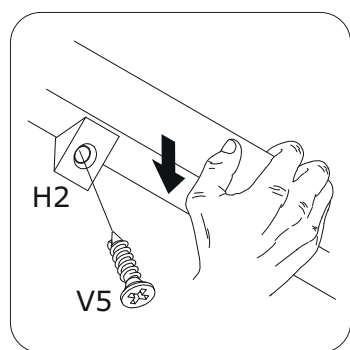
24



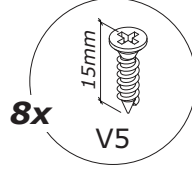
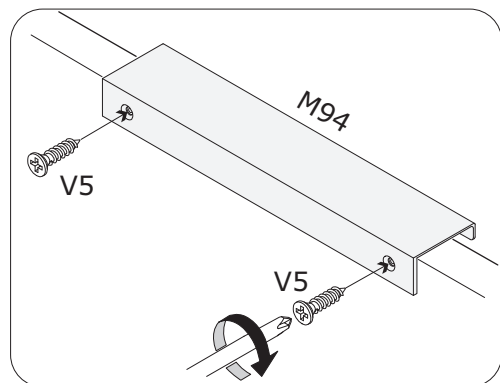
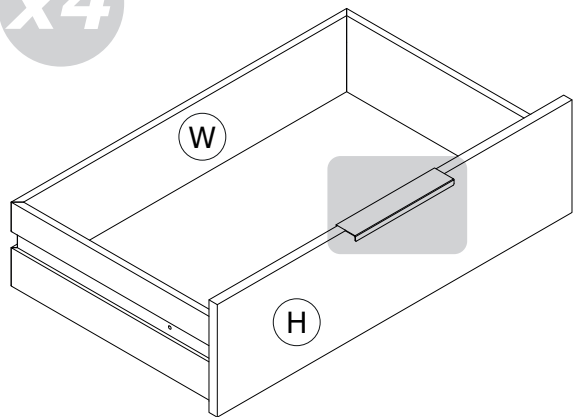
25



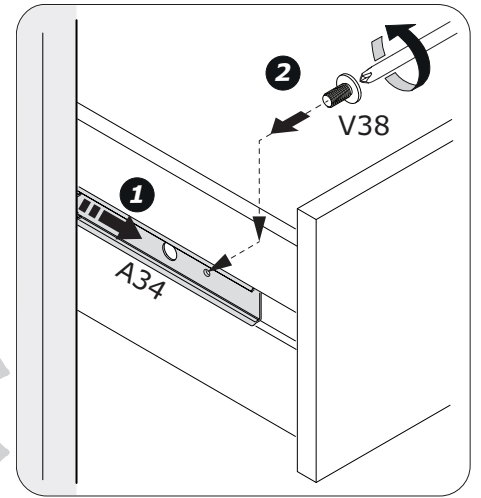
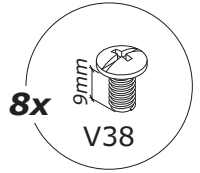
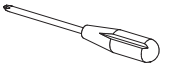
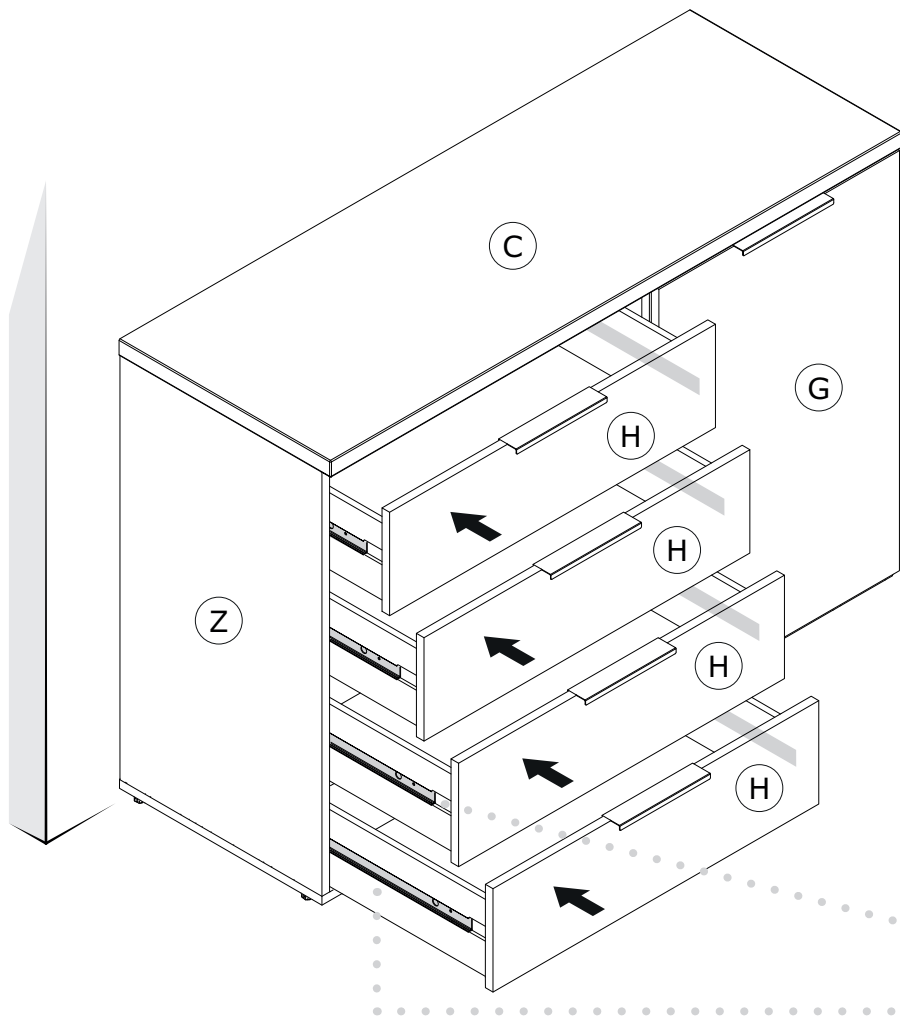
26



x4



27



28

