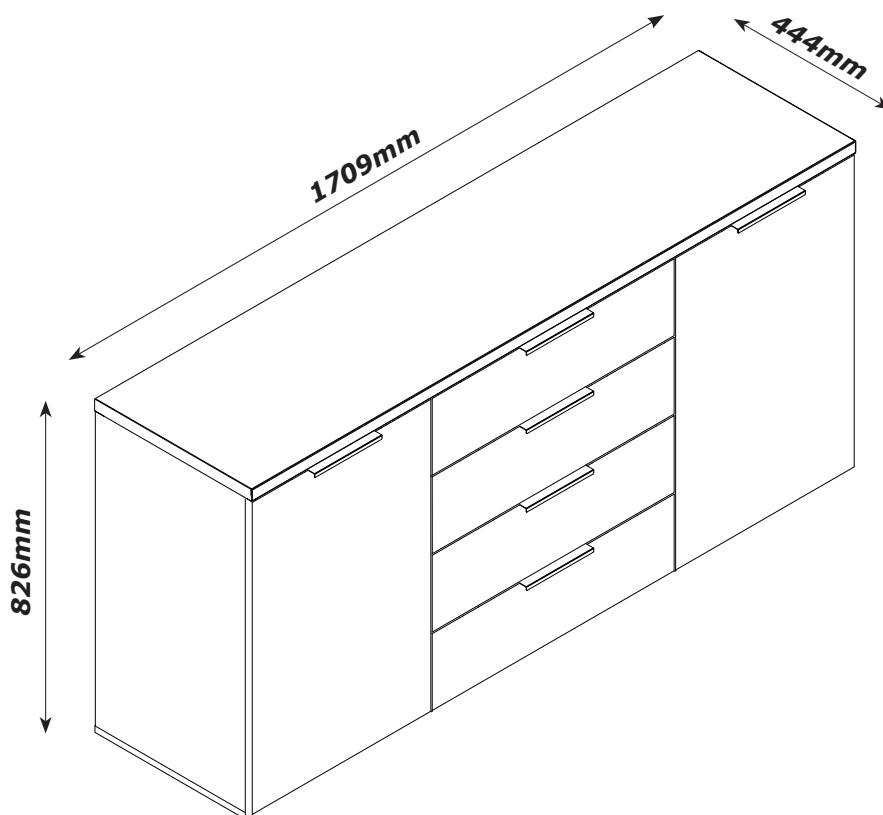


BS0369K76804

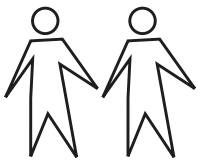


QF6046

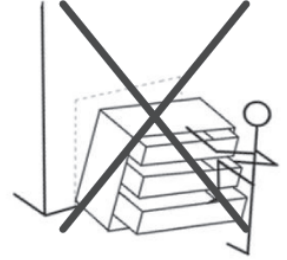
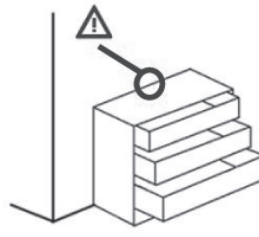
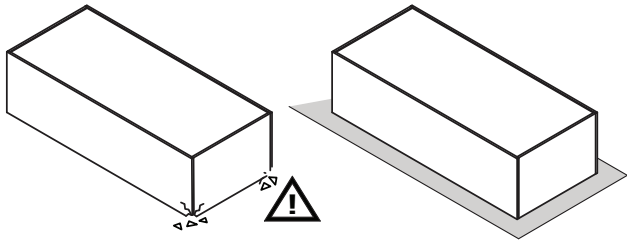
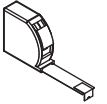
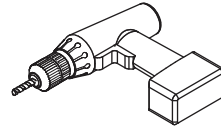
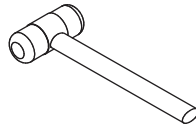
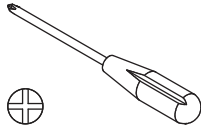


MADE IN ITALY

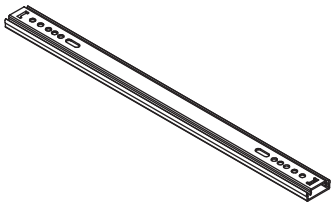
Produced by COMPOSAD srl, Via Lombardia 29, 46019 Viadana (MN) ITALY



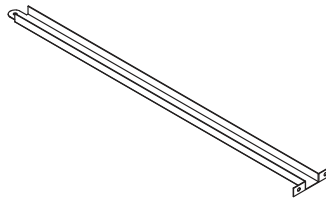
2h



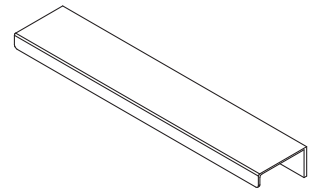
BU5107



A34
x8

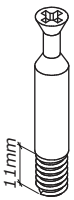


W398
x4

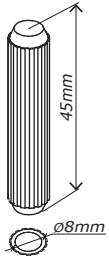


M94
x6

BU5072



T28
x16



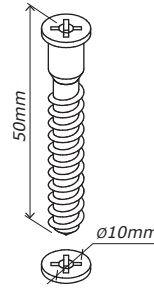
H325
x16



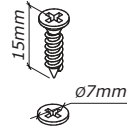
T7
x8



T98
x8



V45
x8



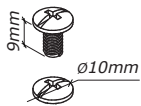
V5
x66



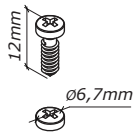
R40
x8



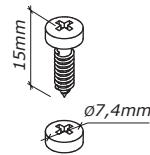
H54
x28



V38
x8



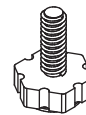
V98
x12



V81
x4



T134
x8



P39
x8



H113
x8



H129
x4



H210
x2



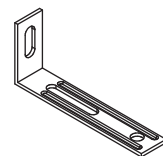
G136
x8



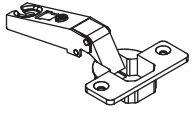
G31
x4



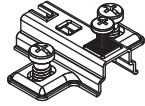
H2
x38



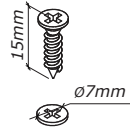
H185
x2



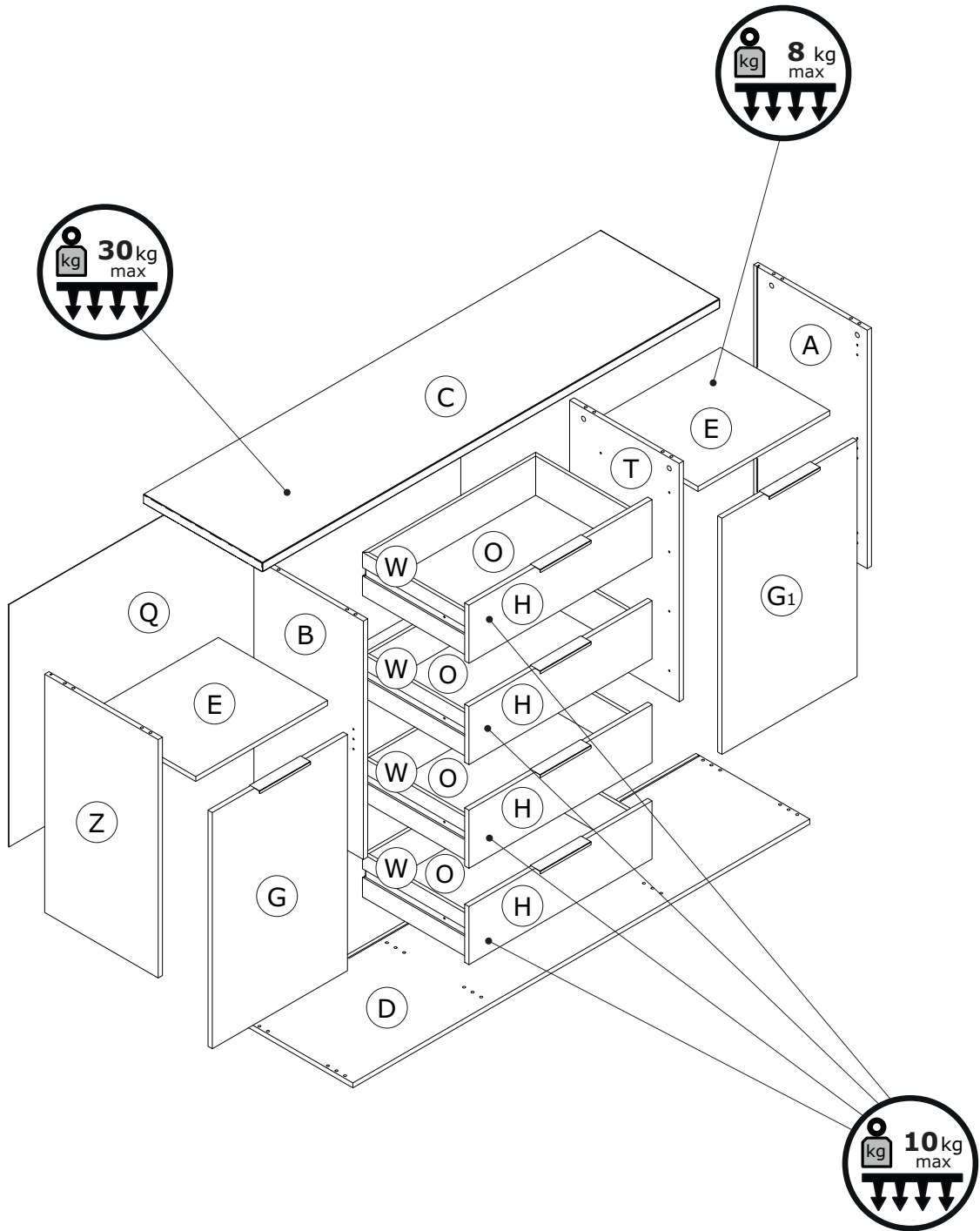
C66
x4

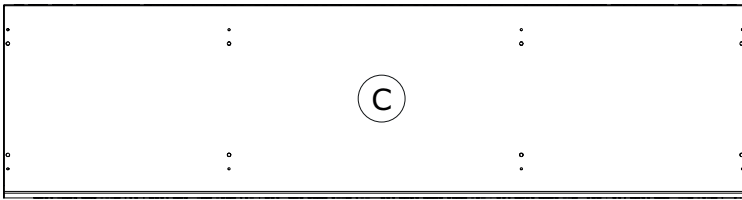


B23
x4

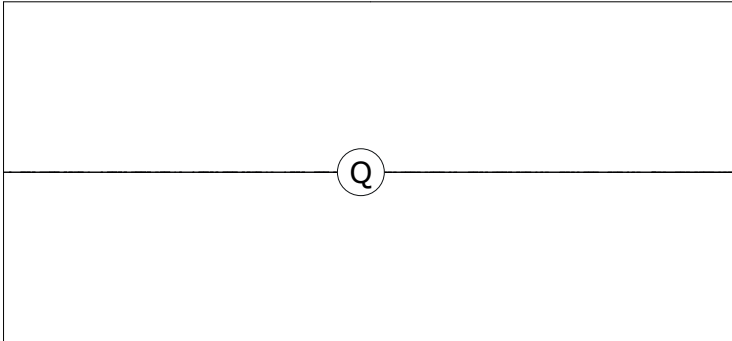


V5
x8

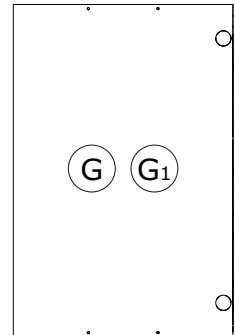




CA3991
1707x443x30mm

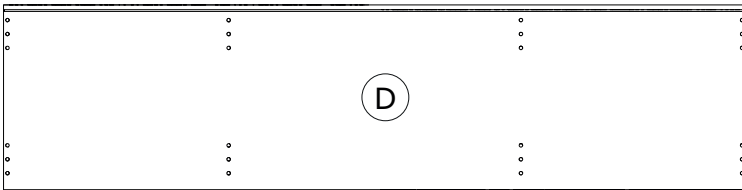


SH3842
1688x784x2mm

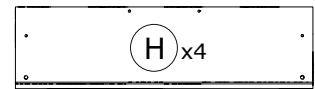


AN3136
764x505x16mm

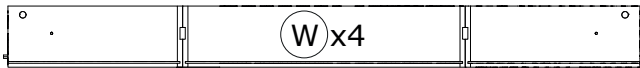
BOX 1/3



BA2424
1707x425x16mm

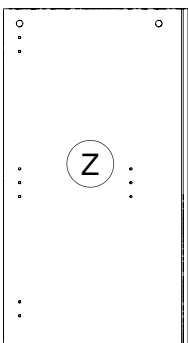


CS3959
684x188x16mm

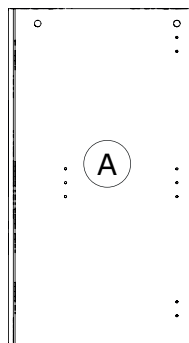


OF0681
400x647x400mm H.140mm

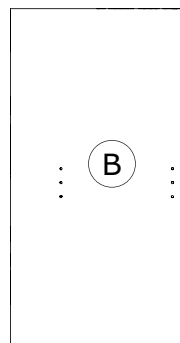
BOX 2/3



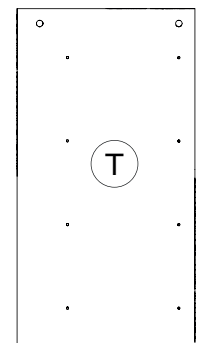
FI9441
771x424x16mm



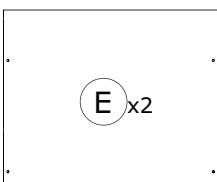
FI9161
771x424x16mm



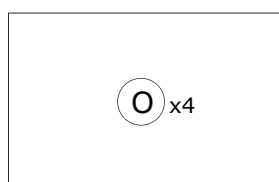
TR2546
771x409x16mm



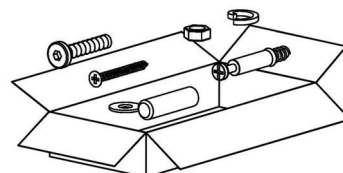
TR2439
771x409x16mm



PI7477
492x408x16mm

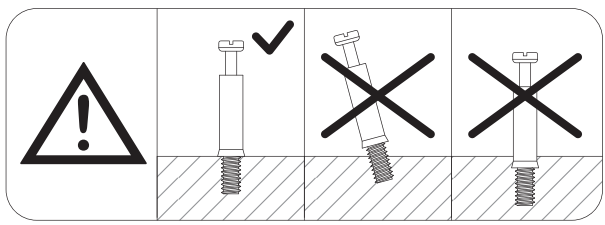
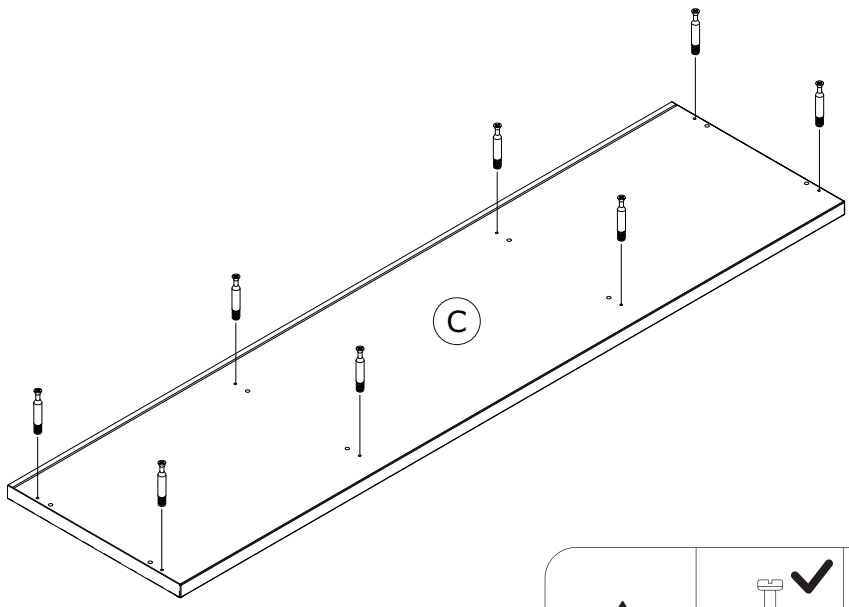
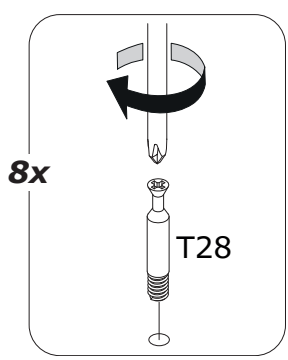
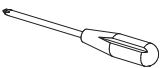


SH3537
634x401x2mm

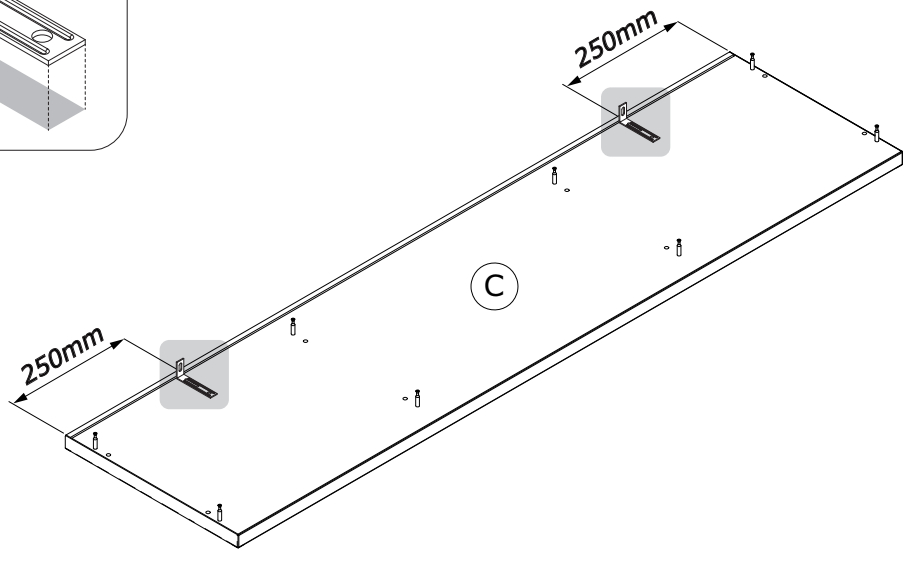
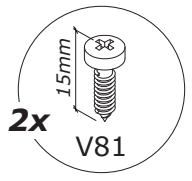
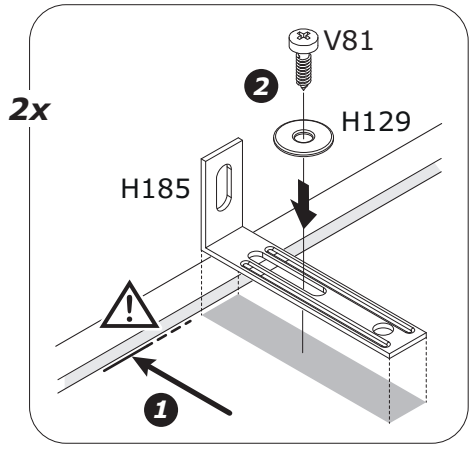
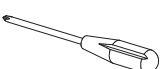


BOX 3/3

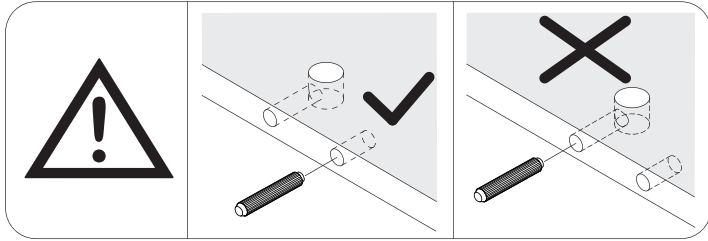
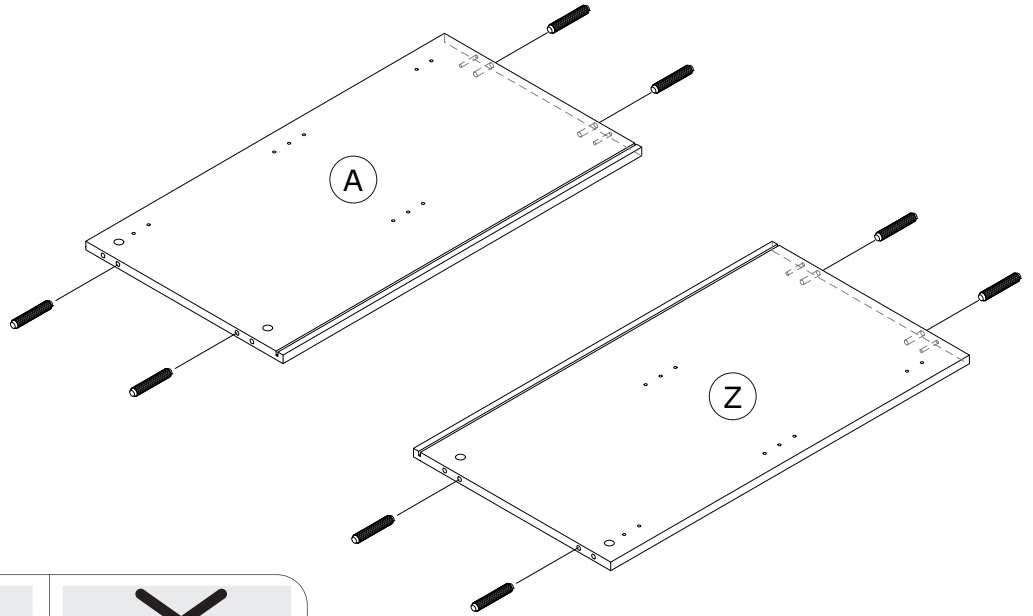
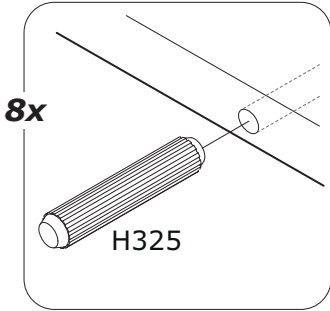
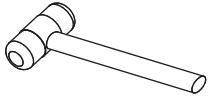
1



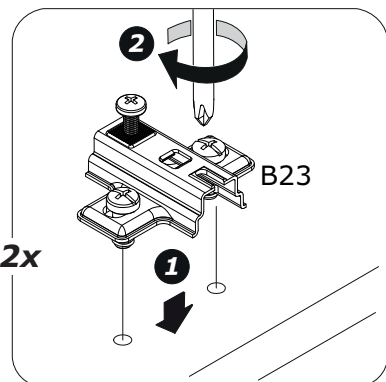
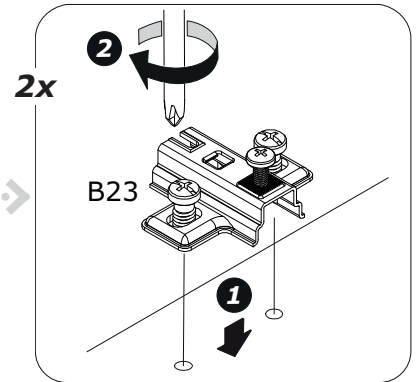
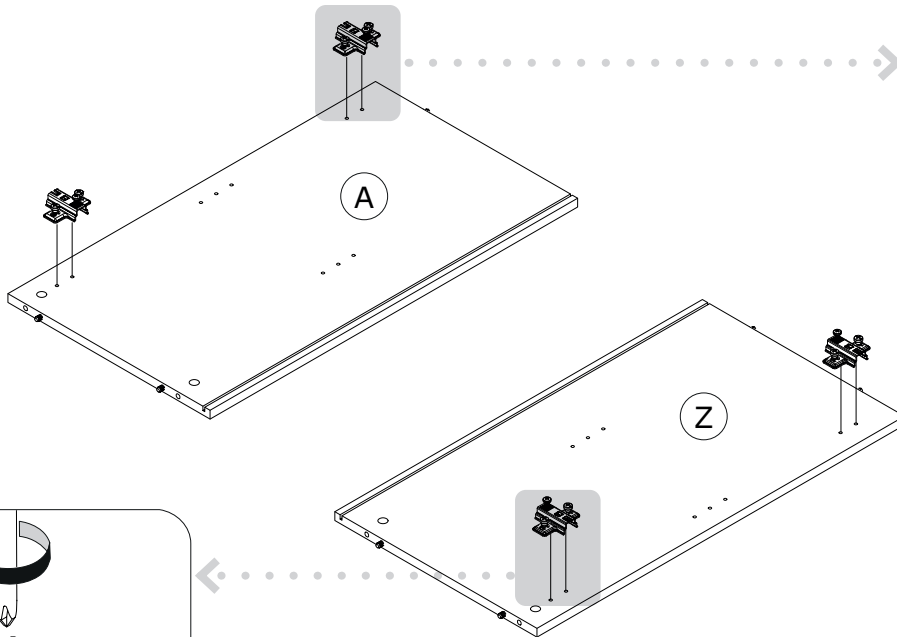
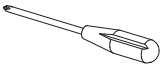
2



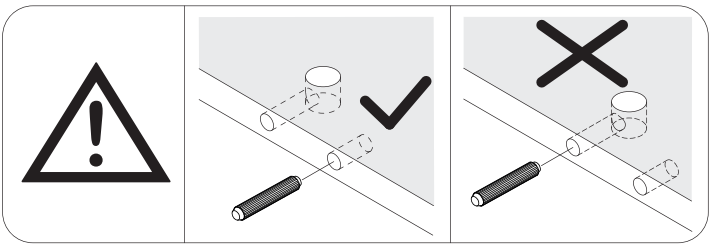
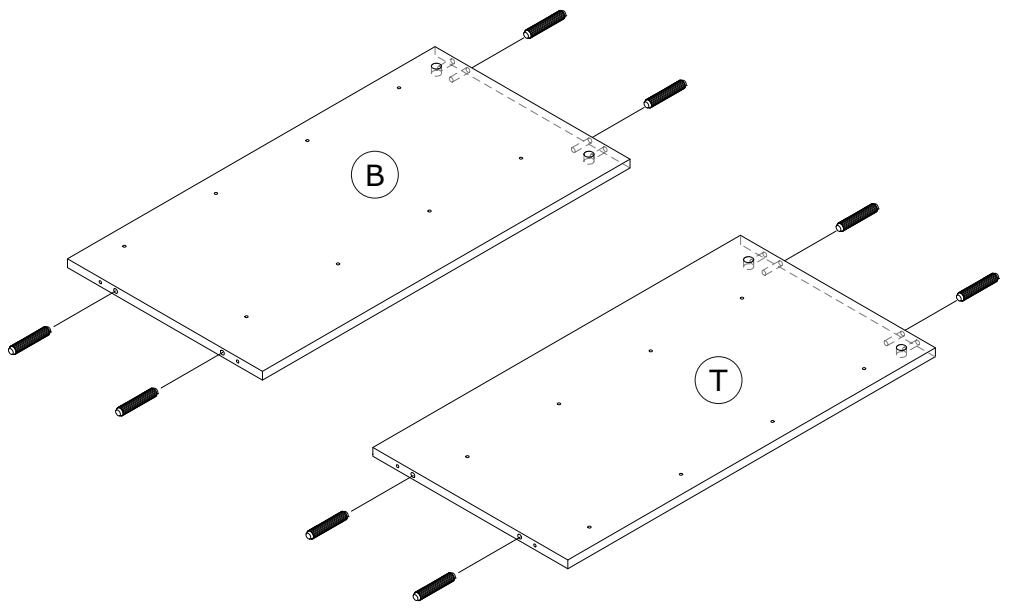
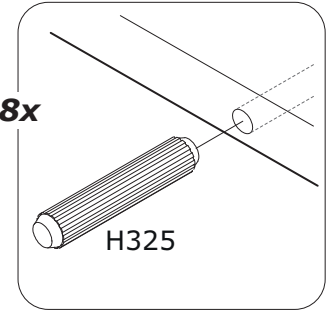
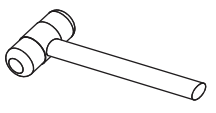
3



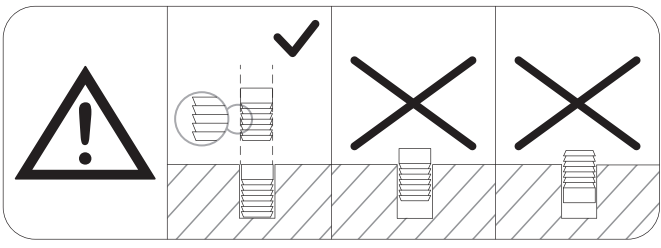
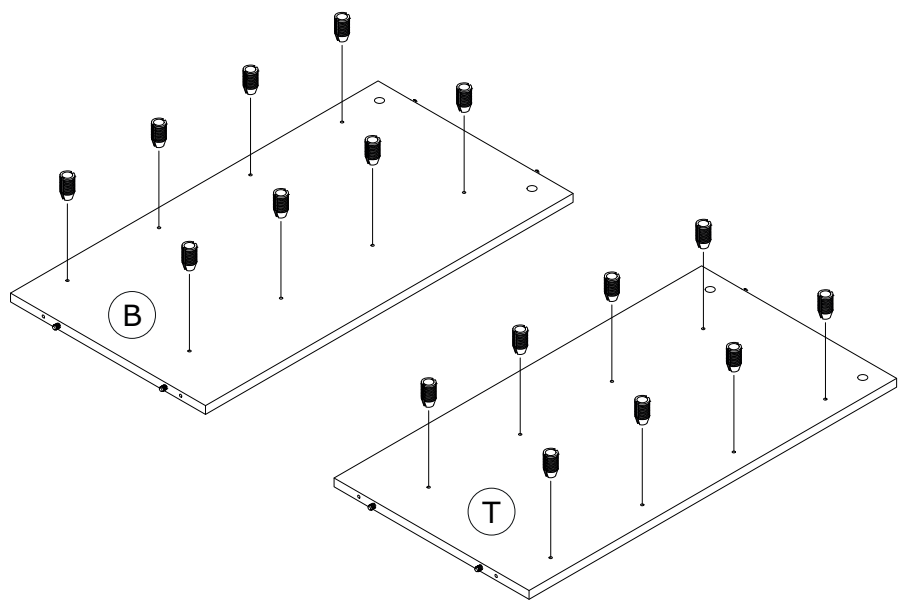
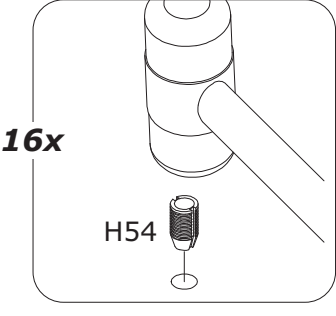
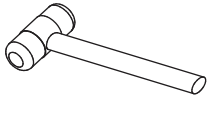
4

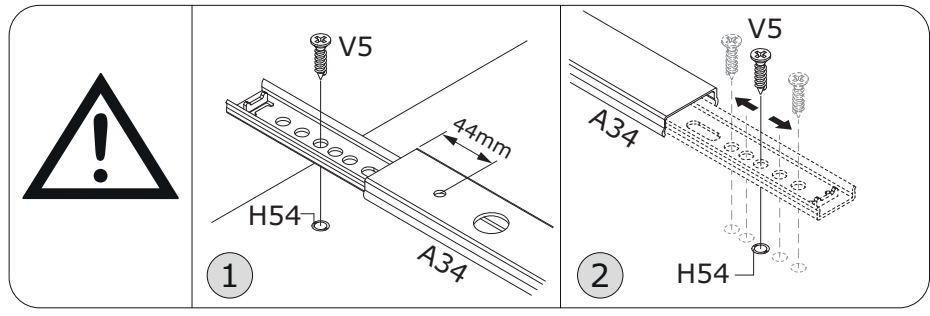
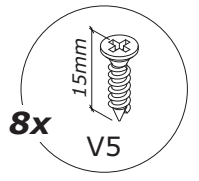
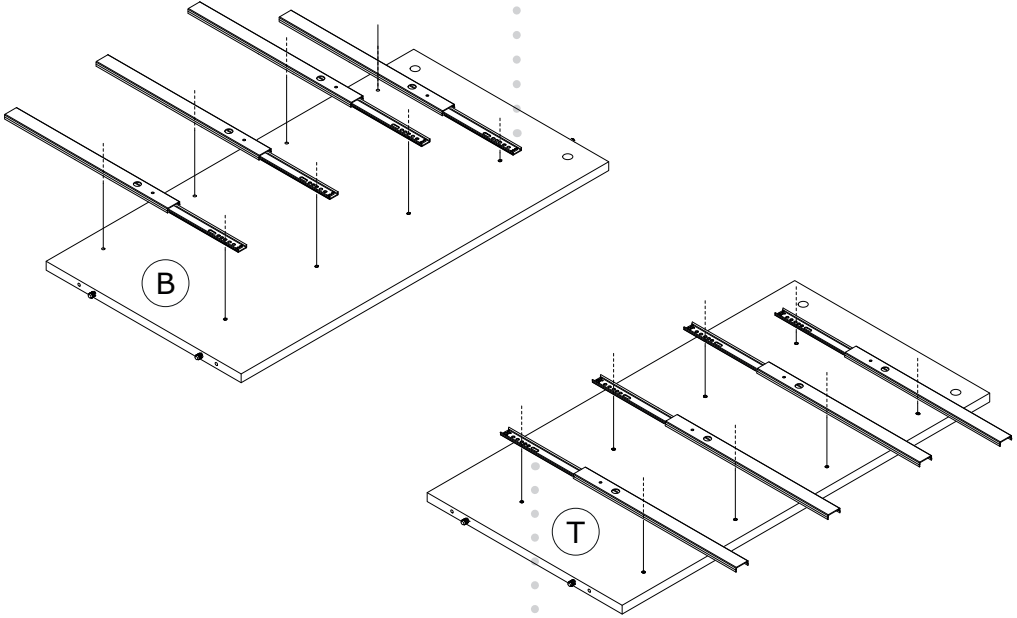
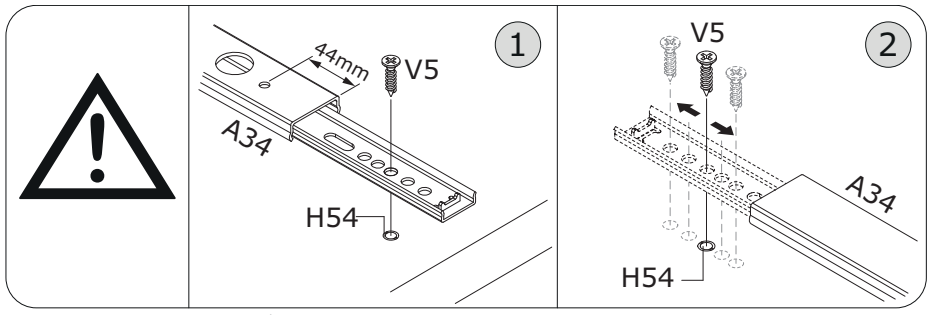
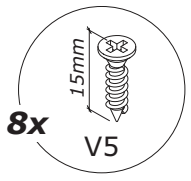
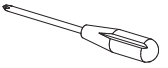


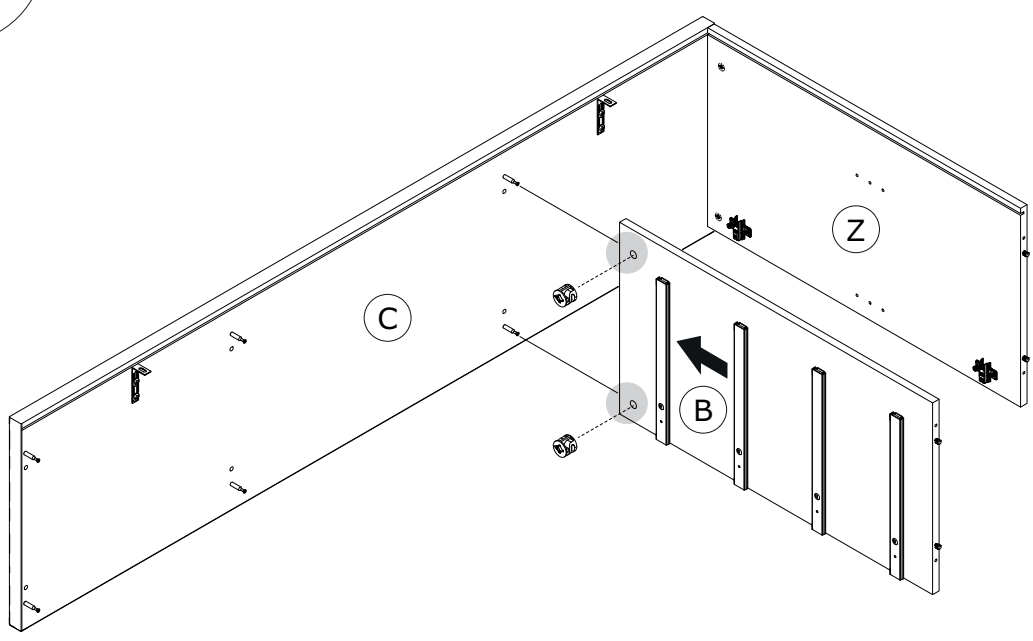
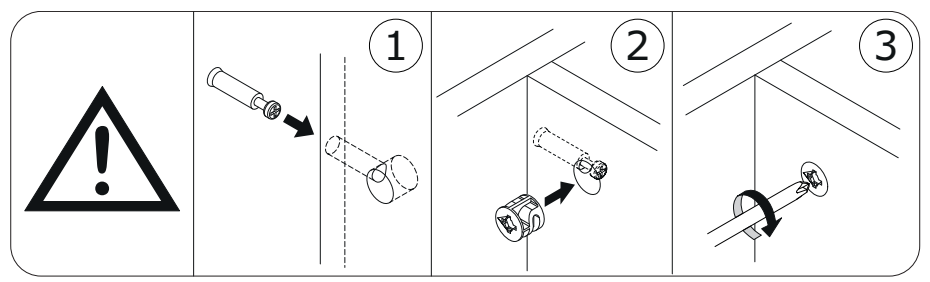
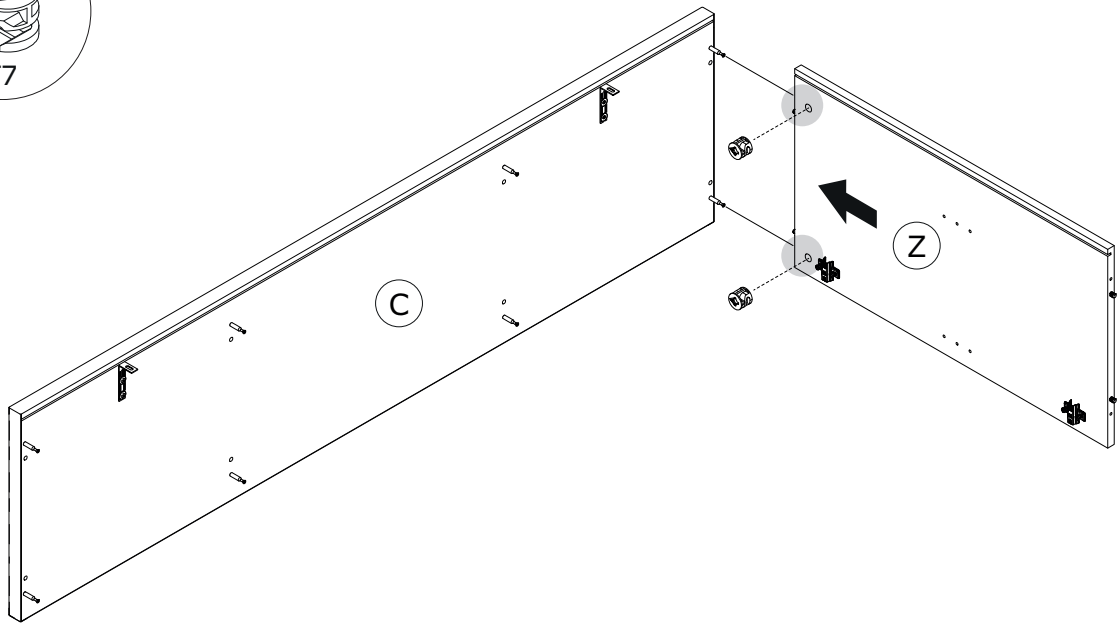
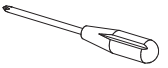
5

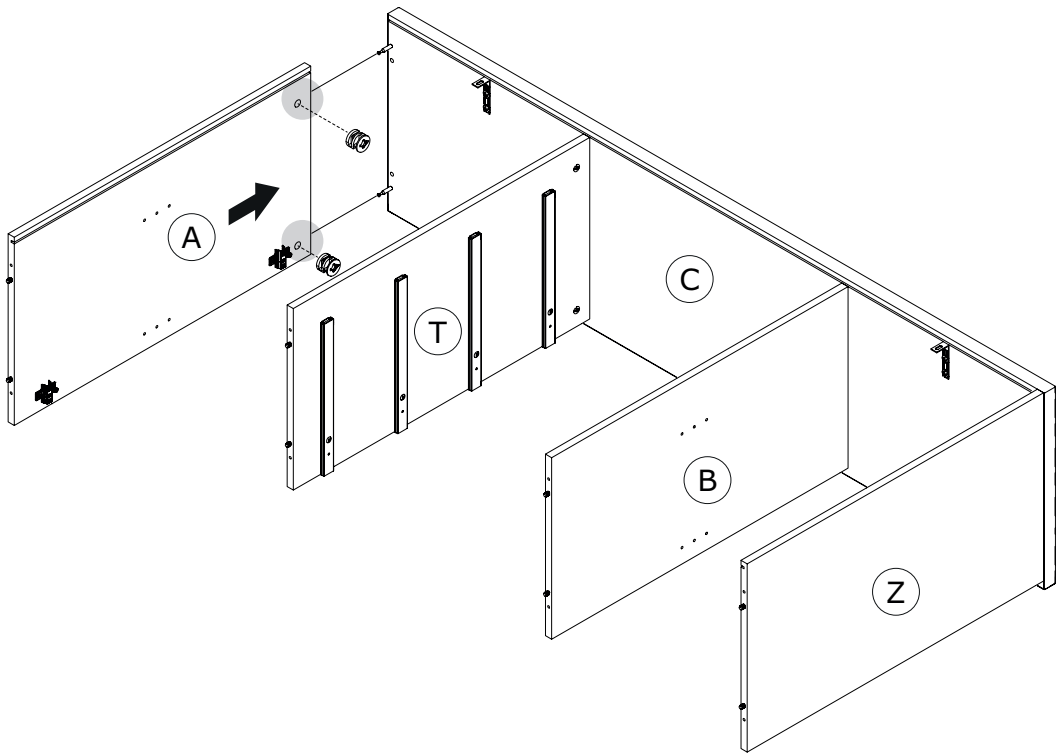
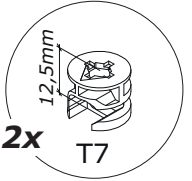
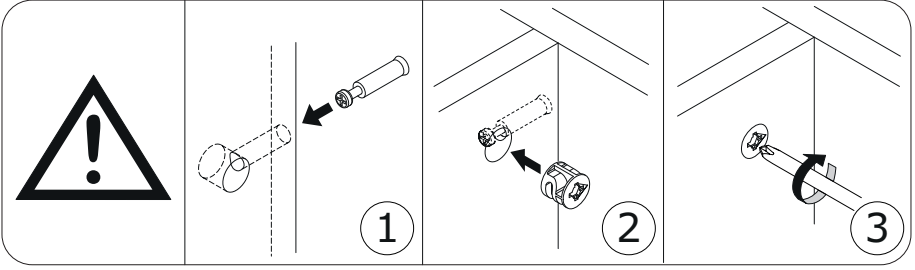
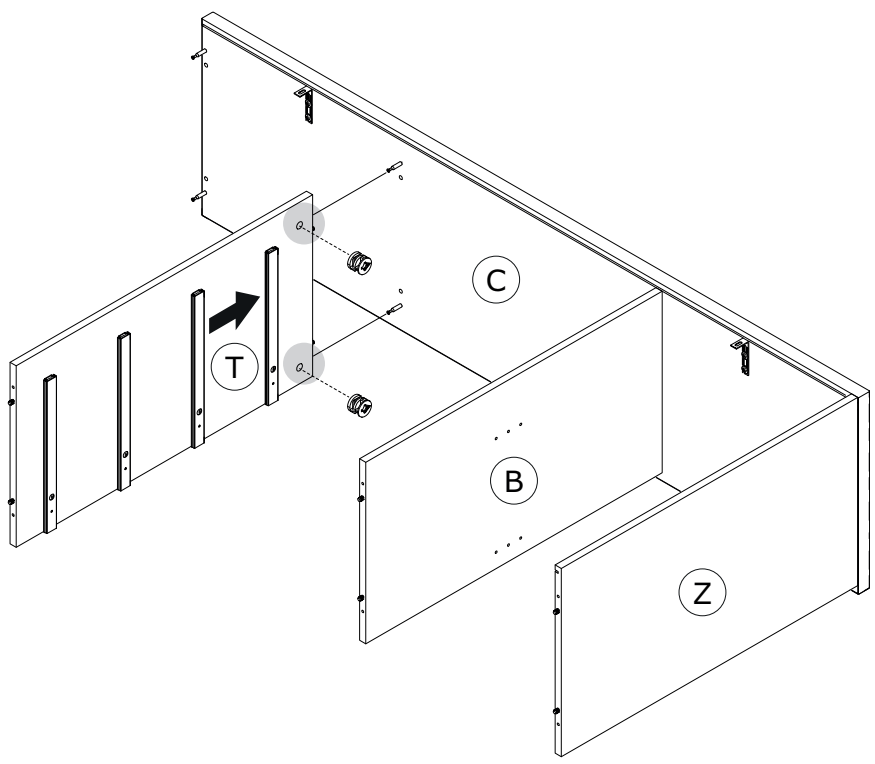
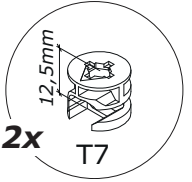
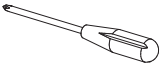


6

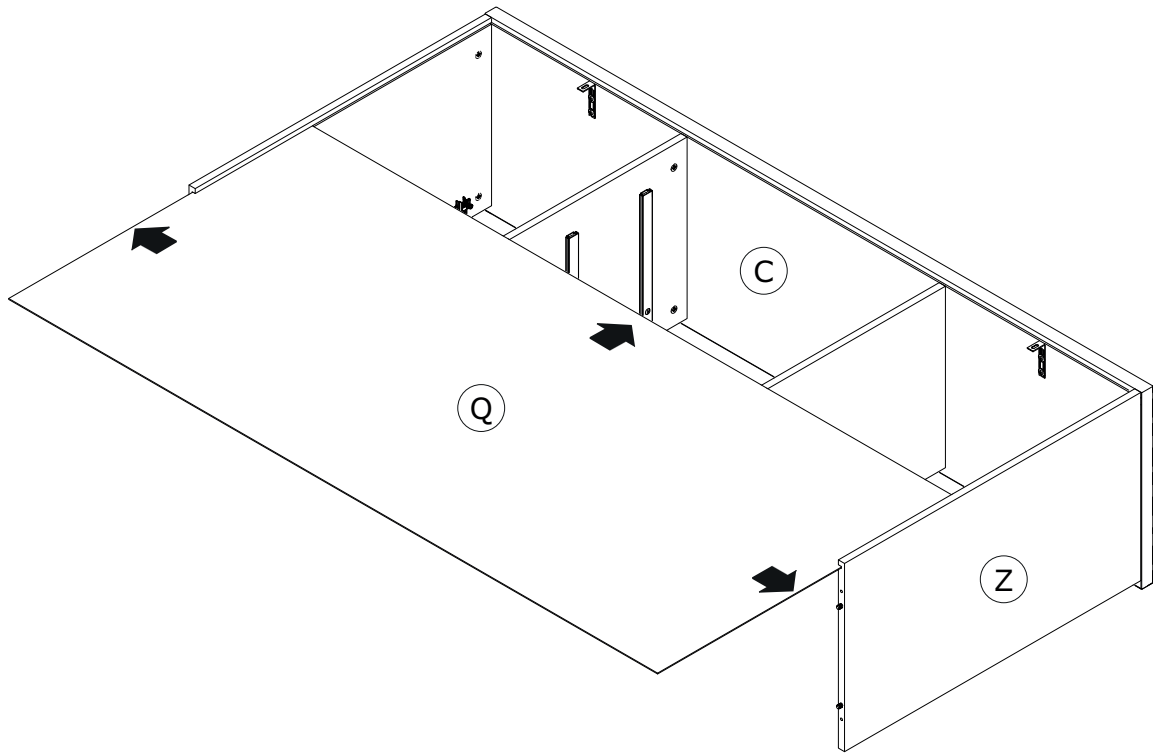




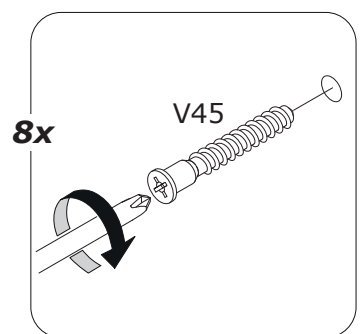
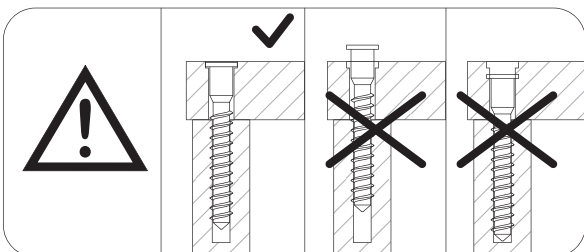
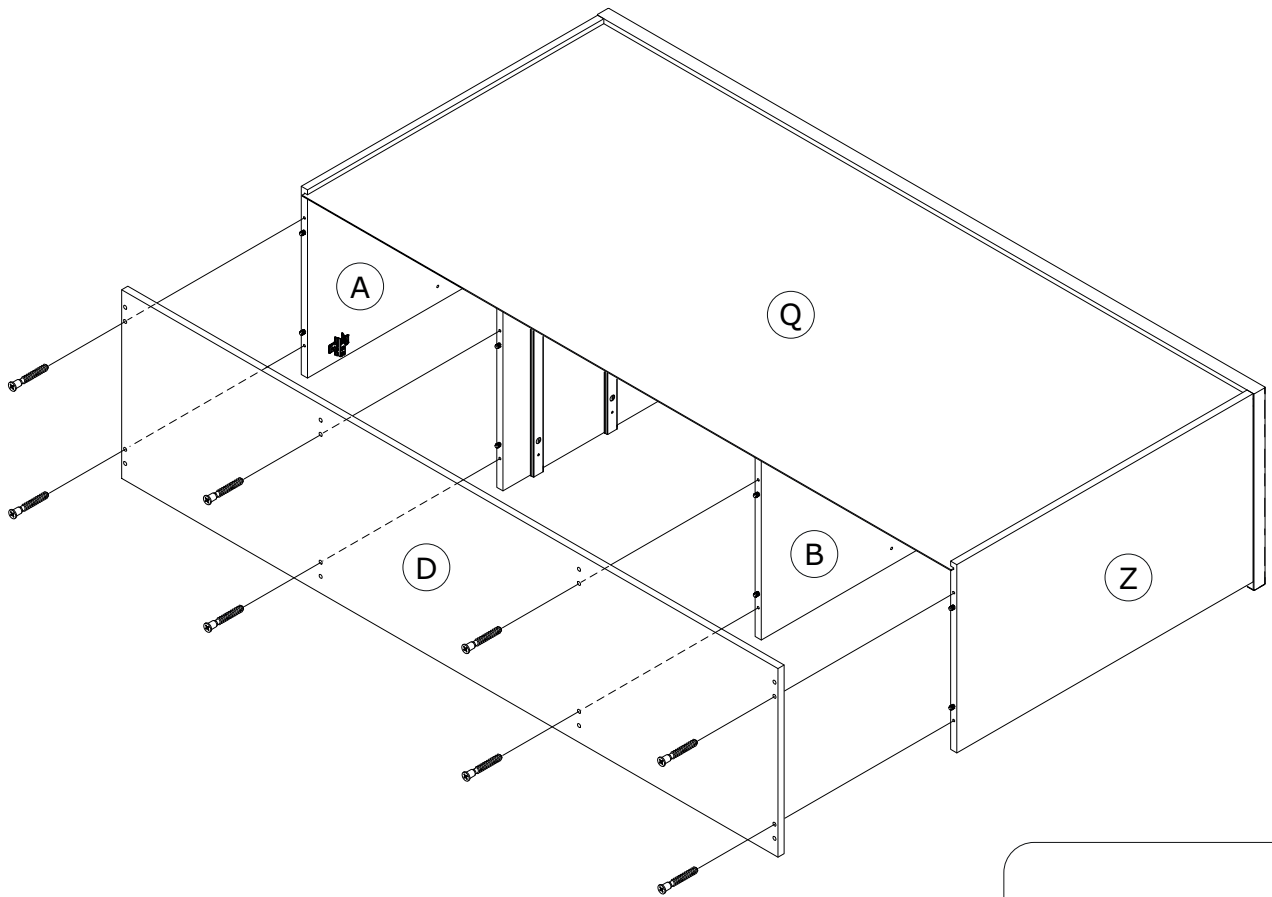
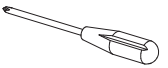


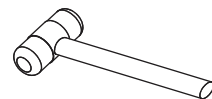


10



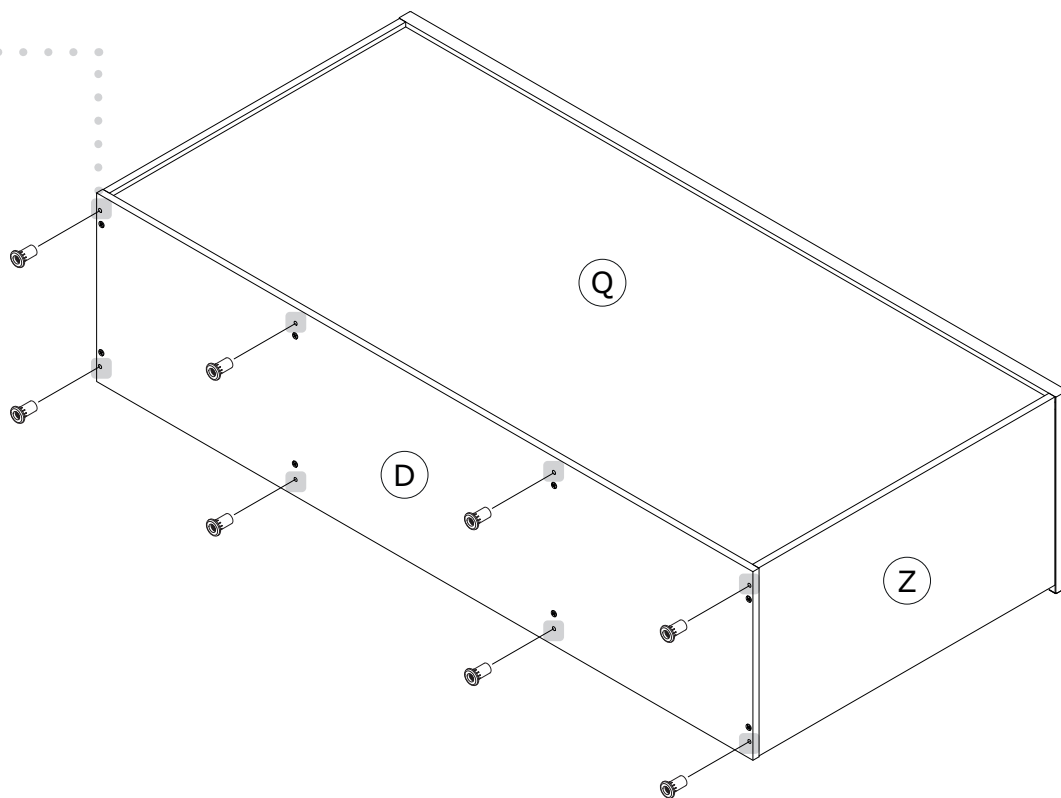
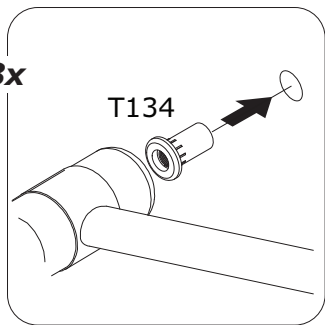
11





8x

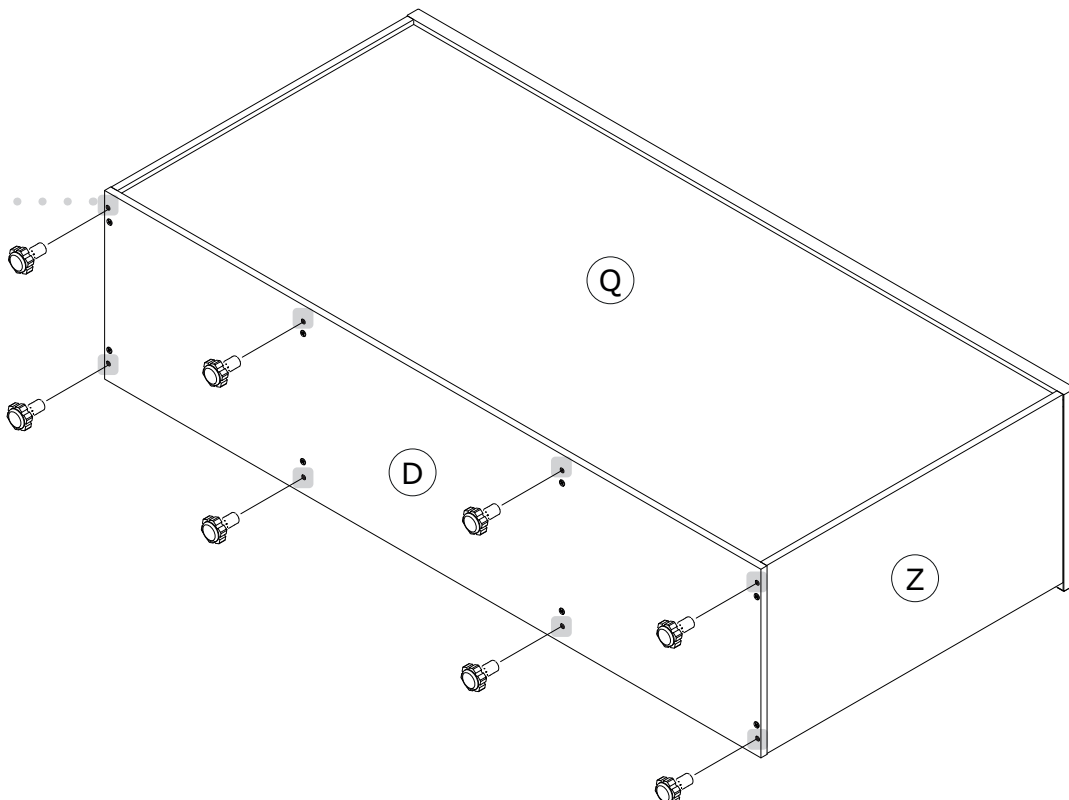
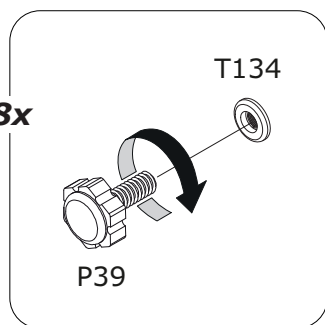
T134

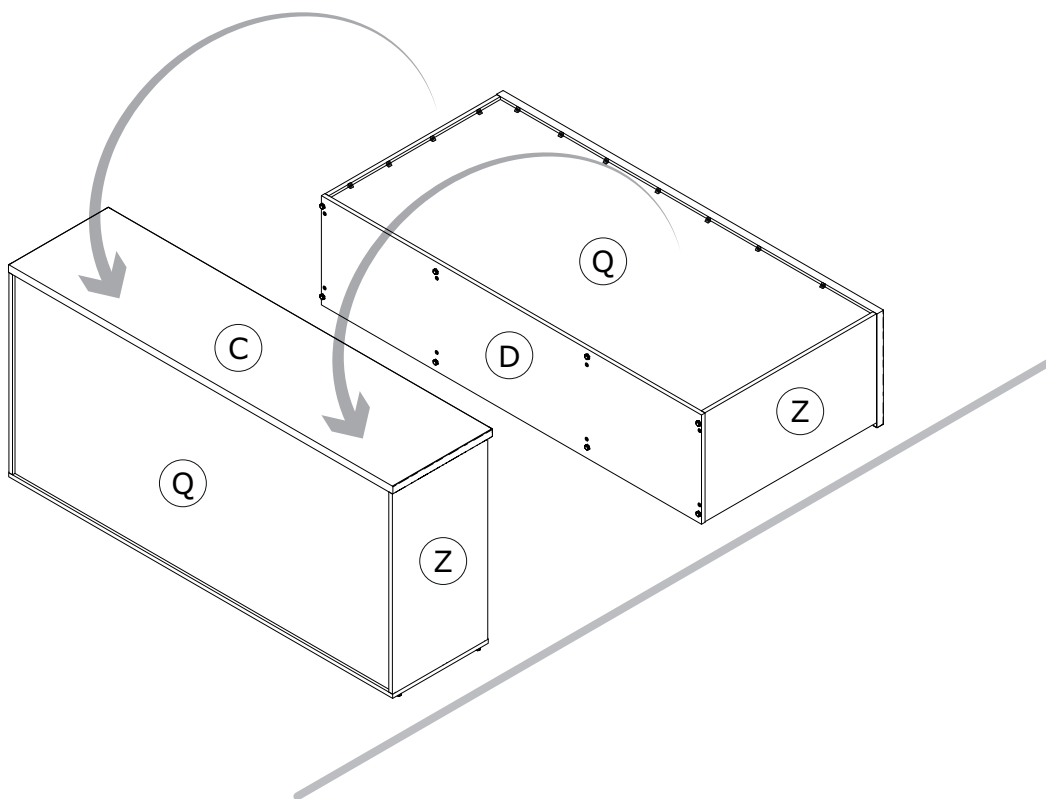
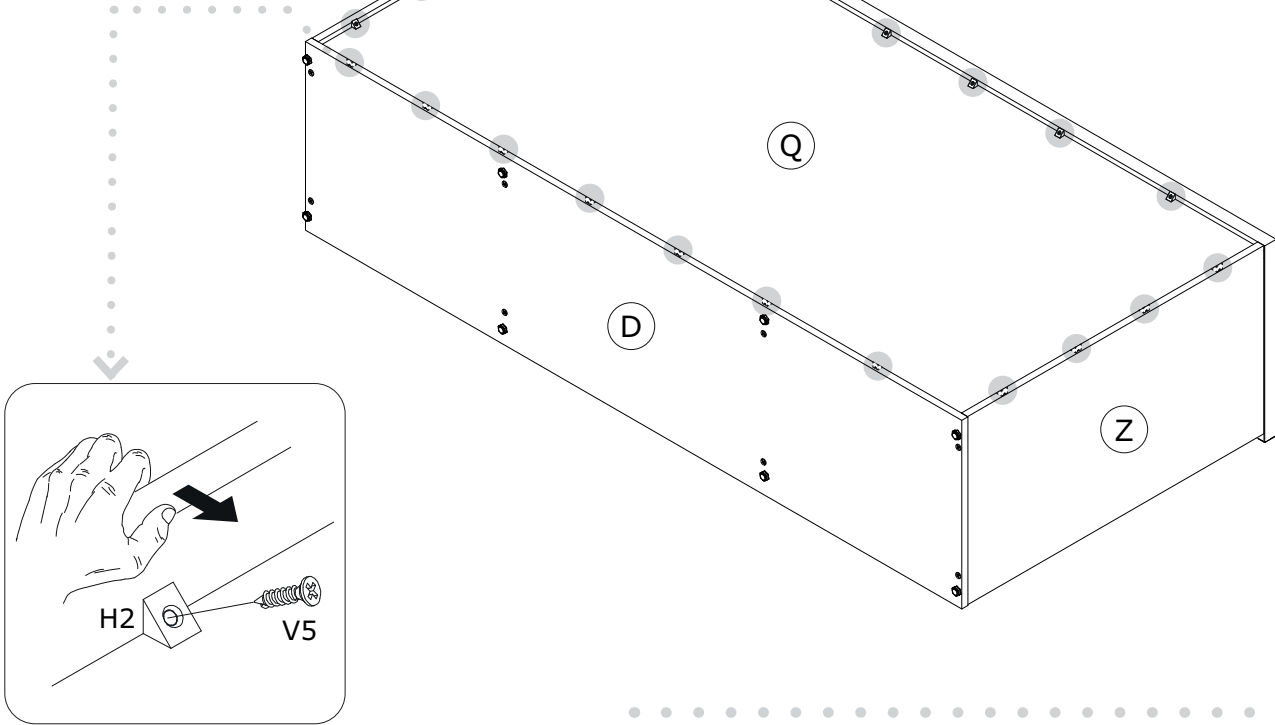
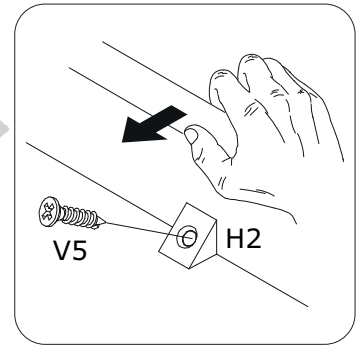
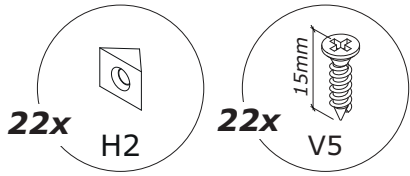
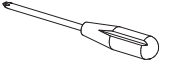


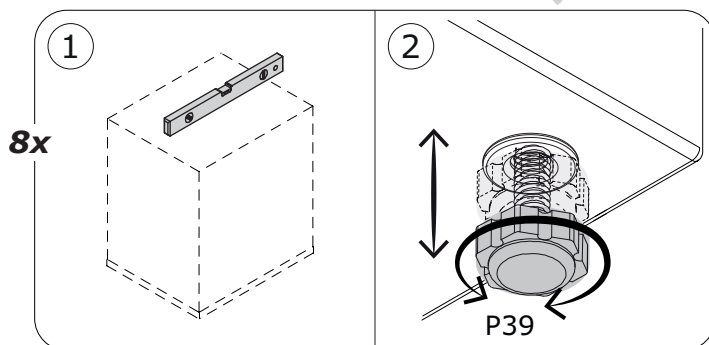
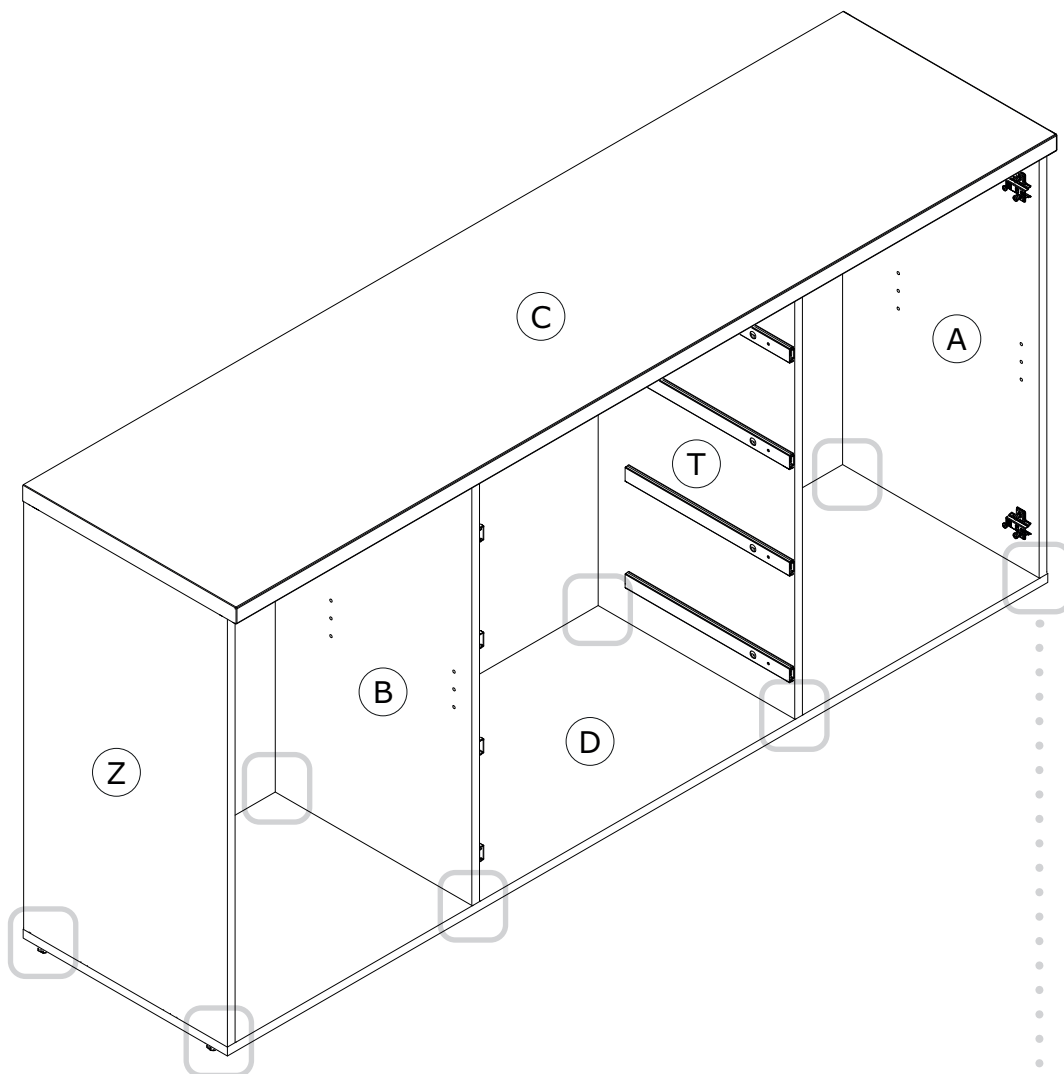
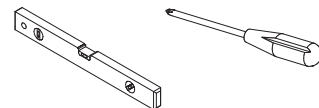
8x

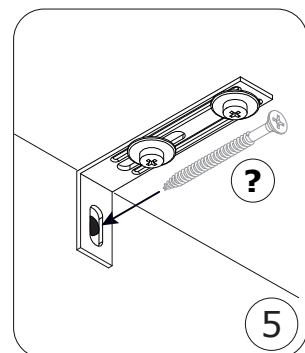
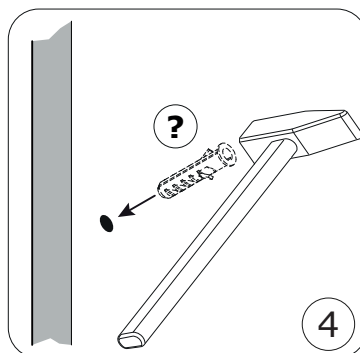
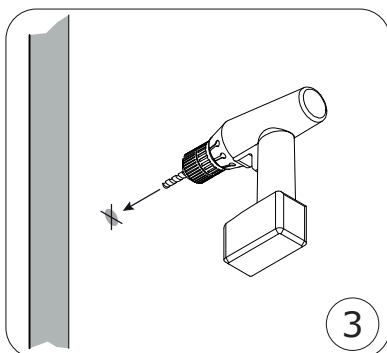
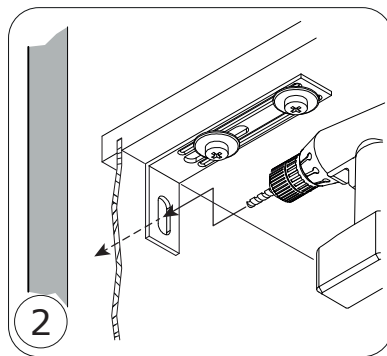
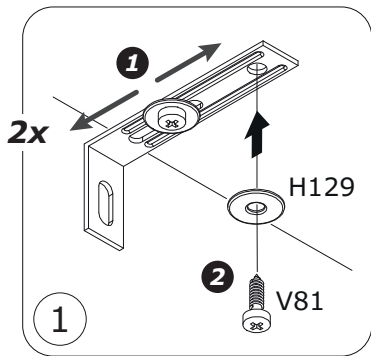
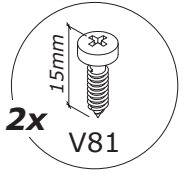
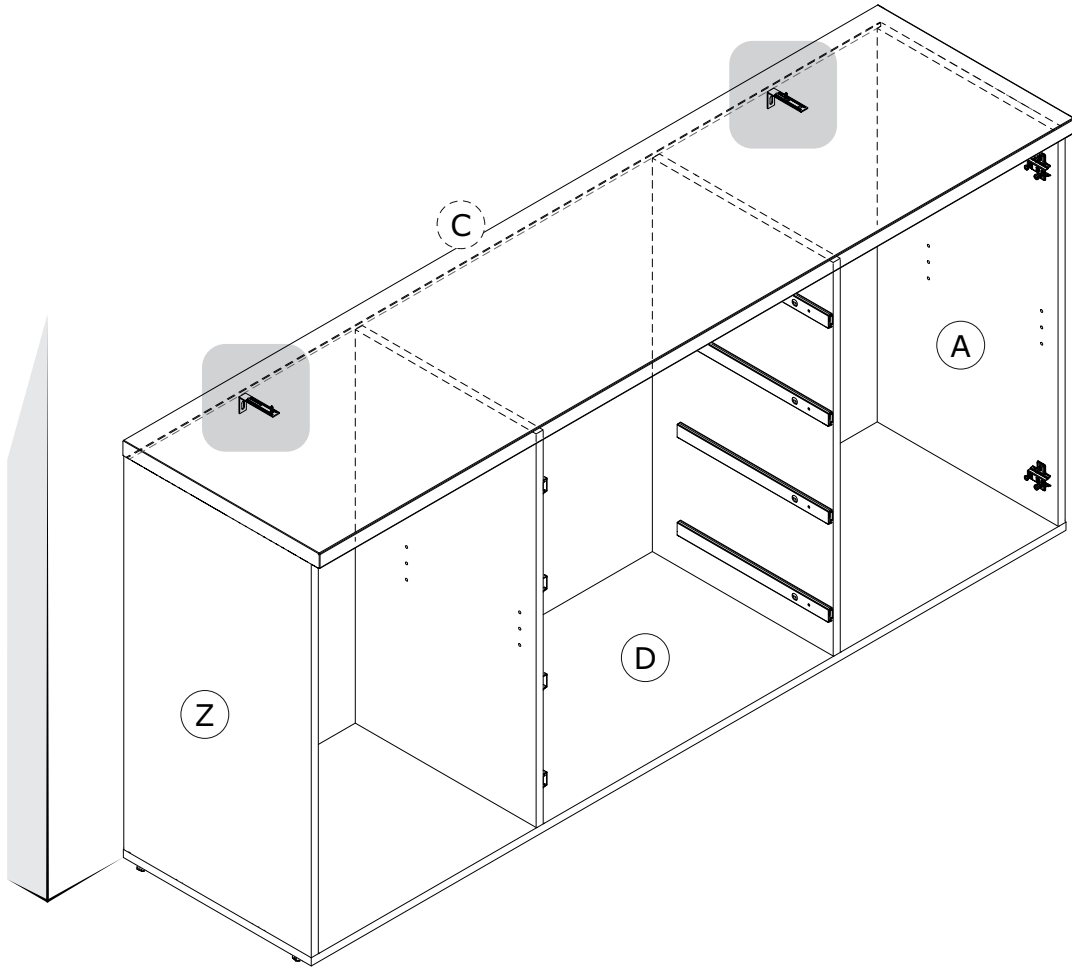
T134

P39

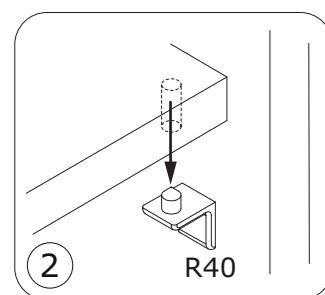
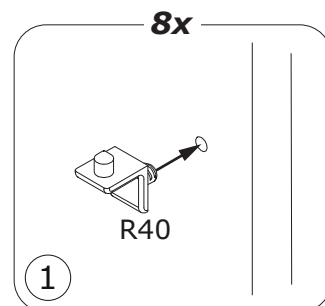
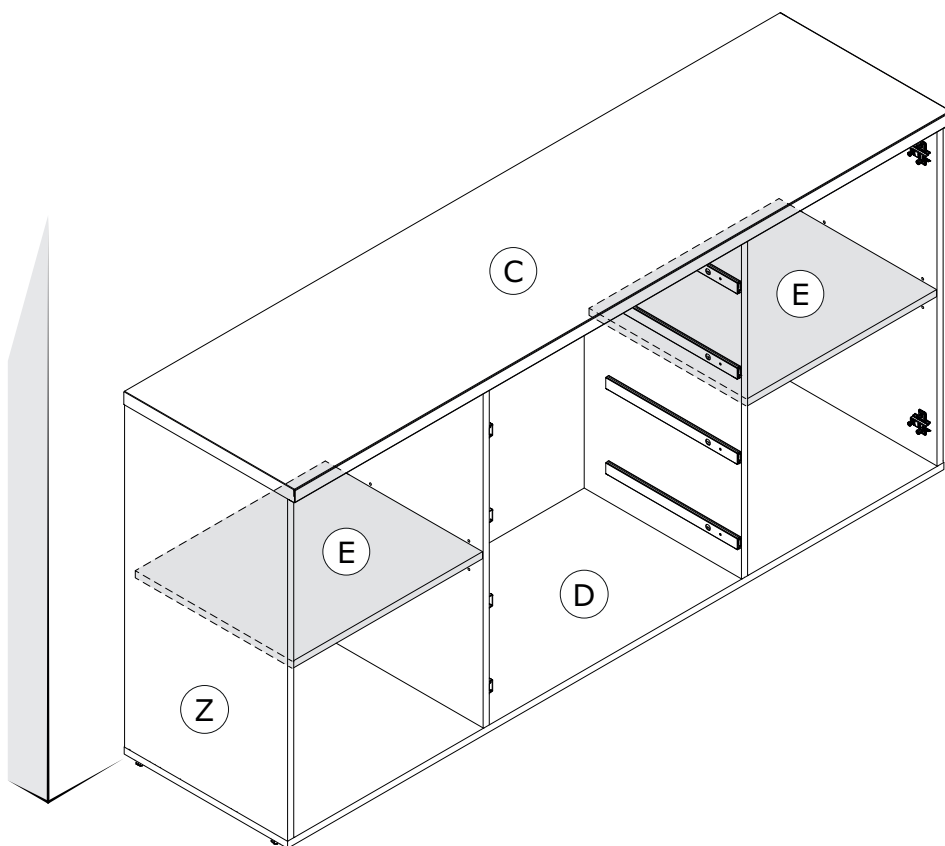




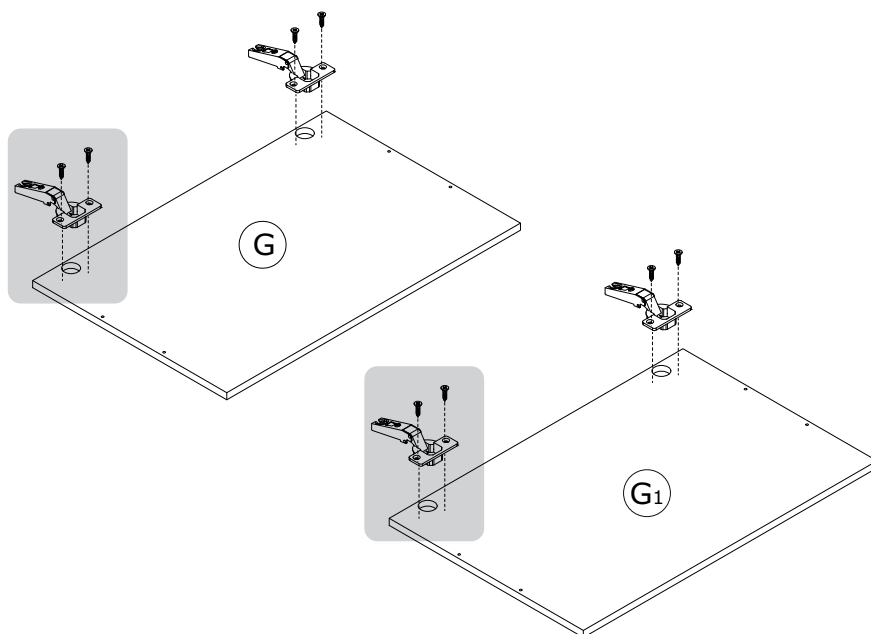
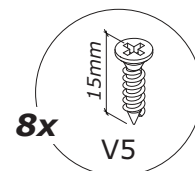
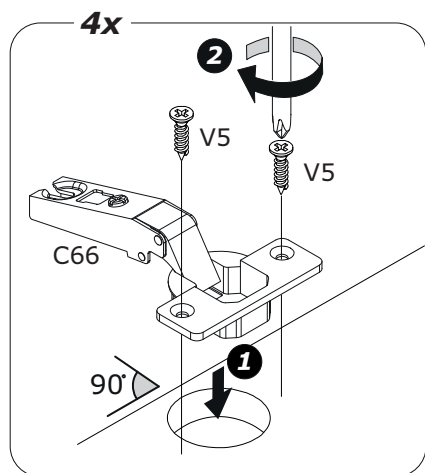
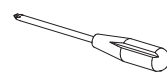




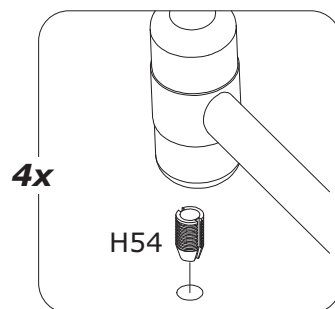
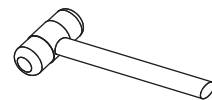
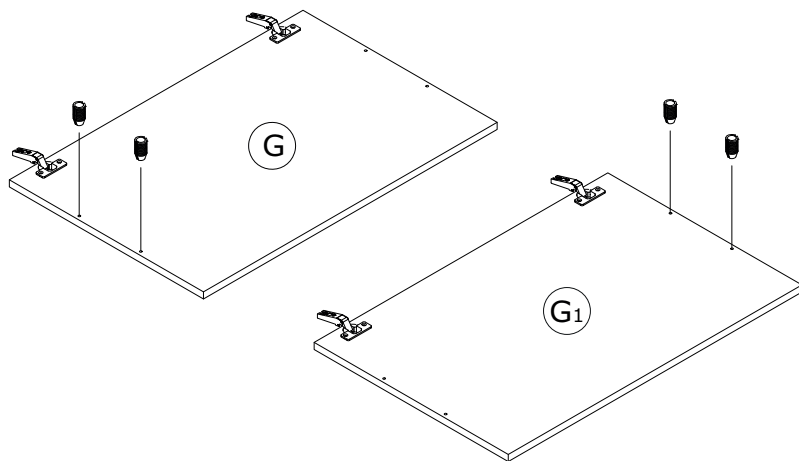
16



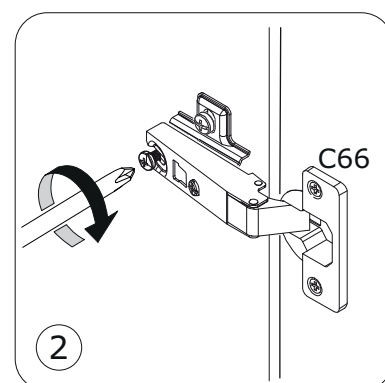
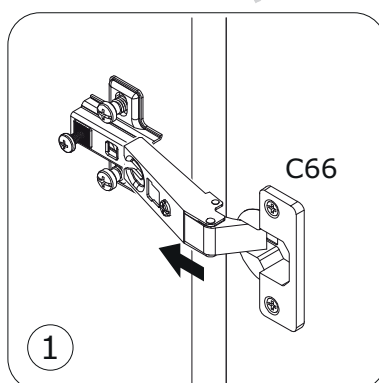
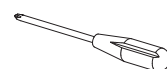
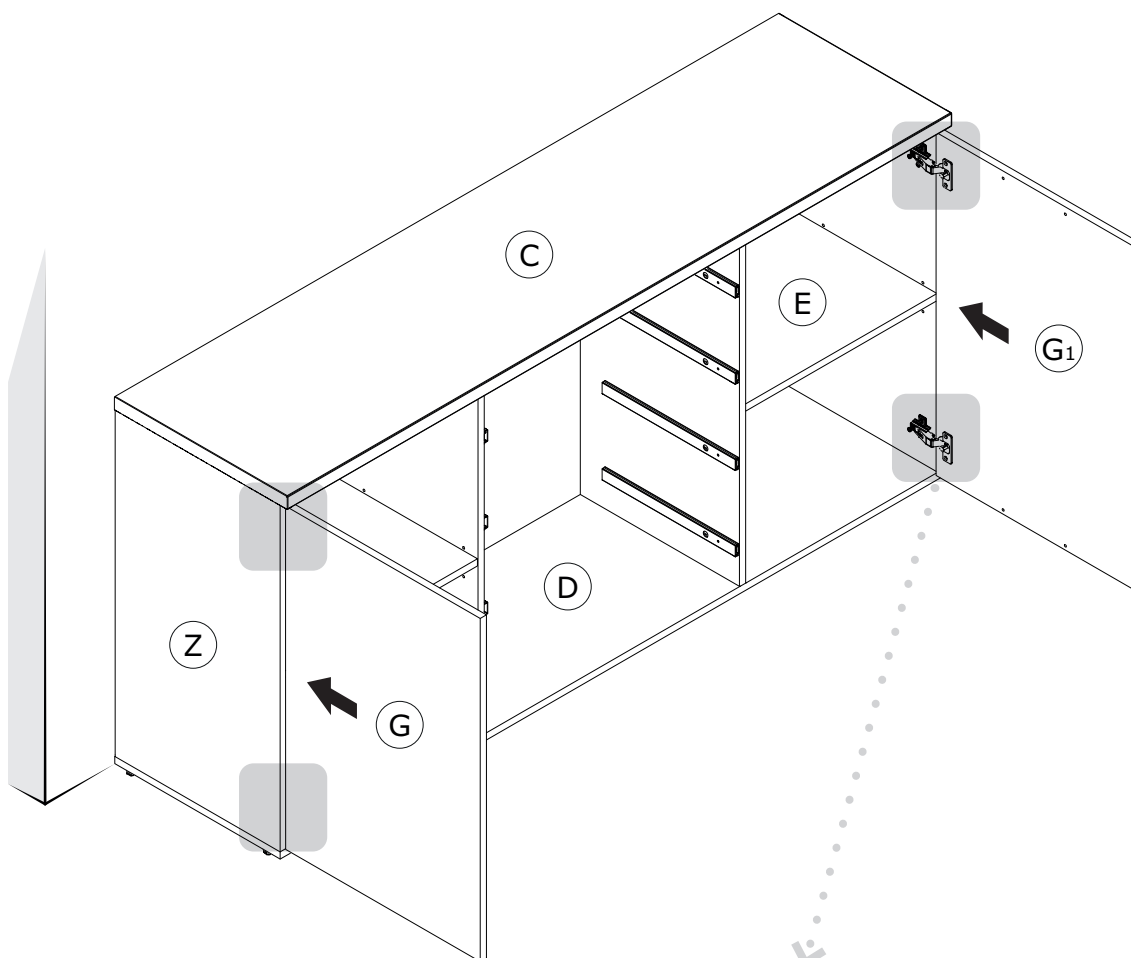
17

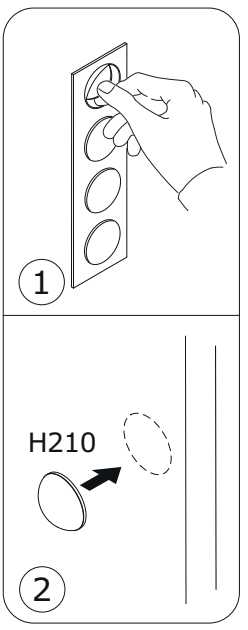
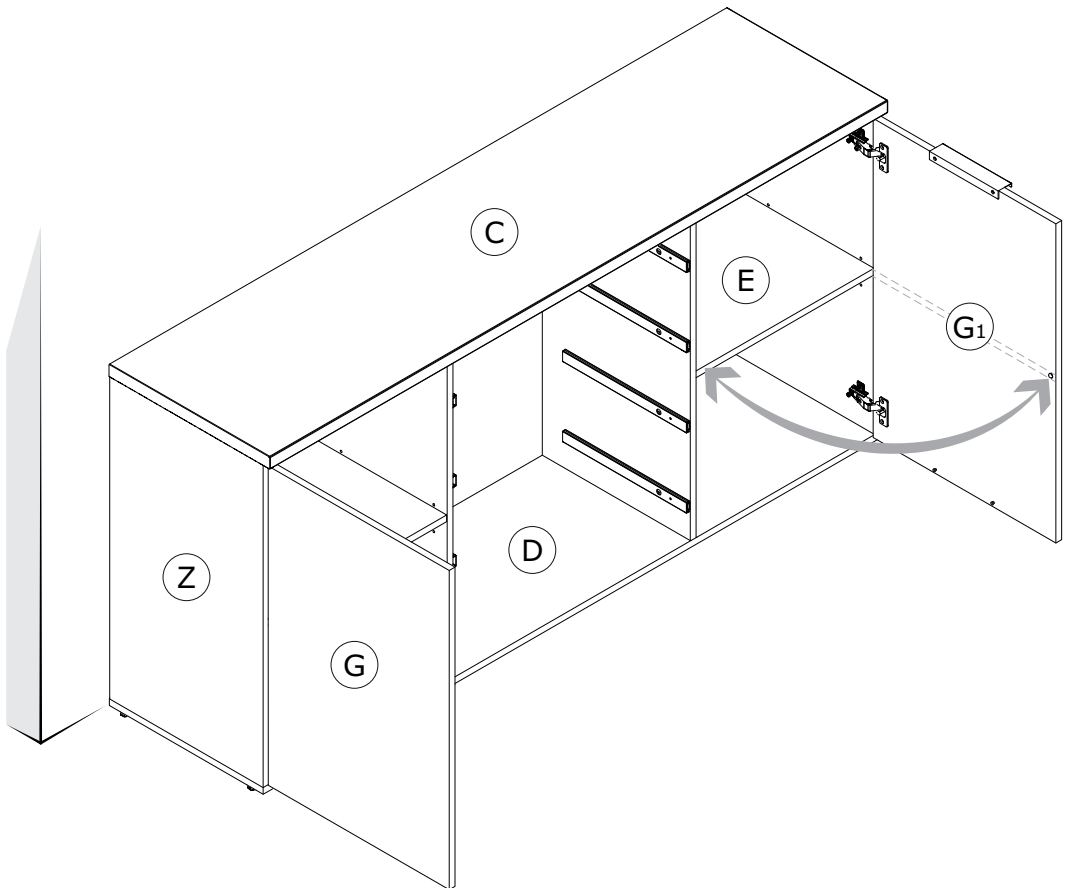
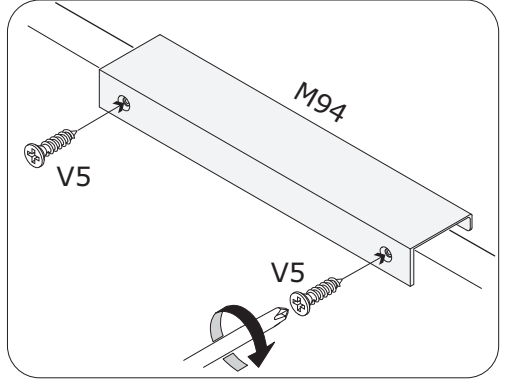
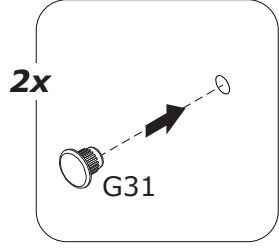
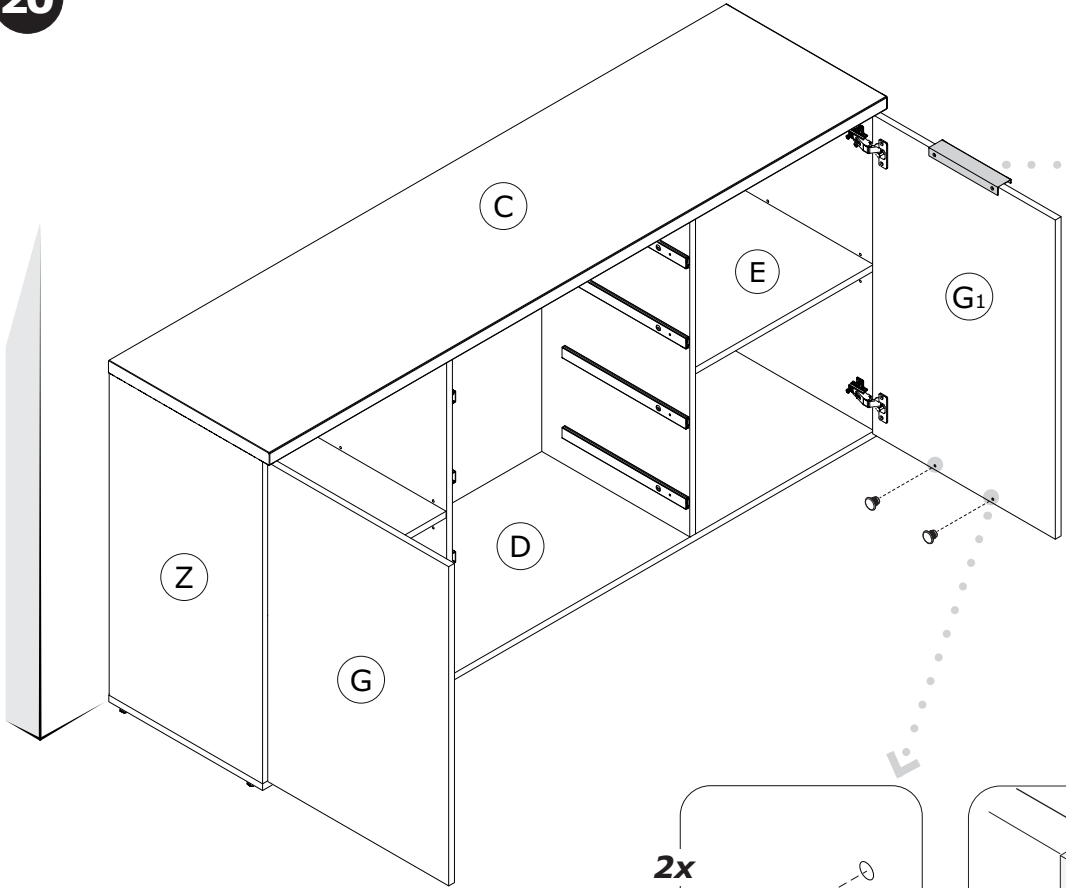
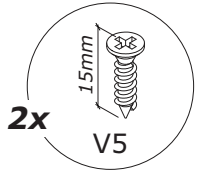
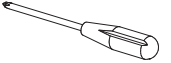


18

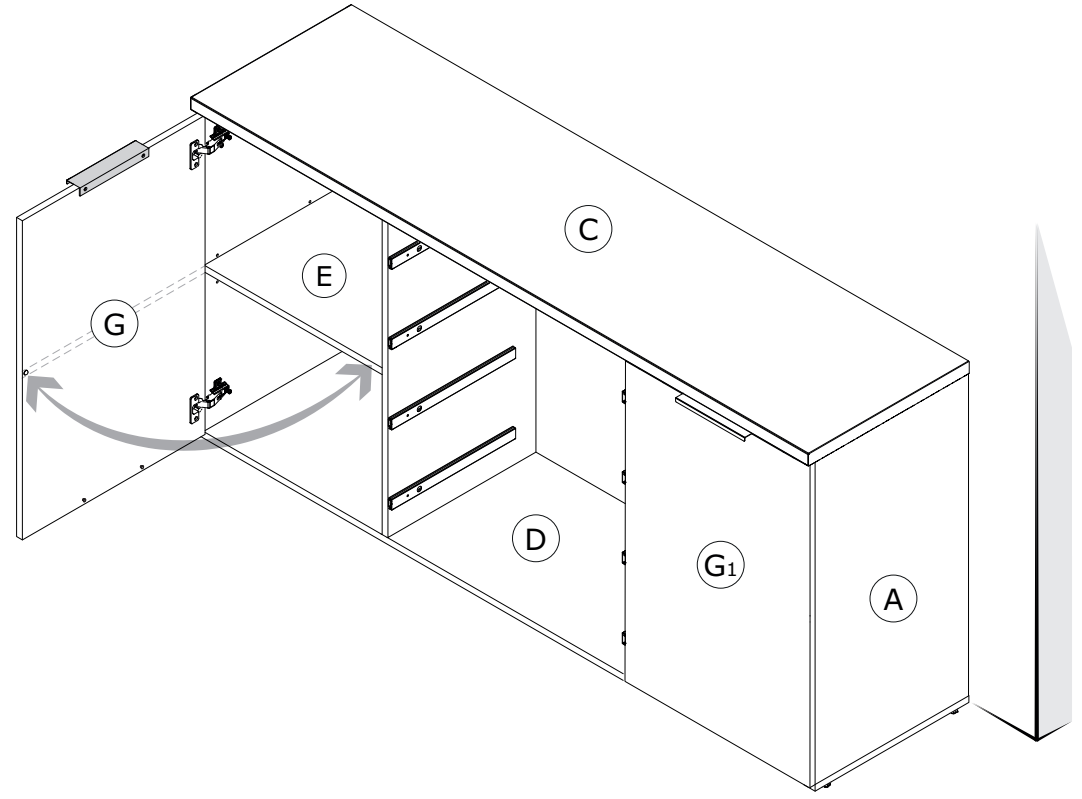
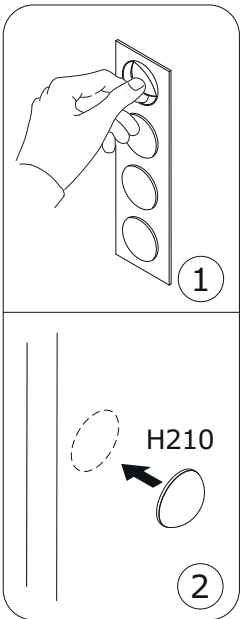
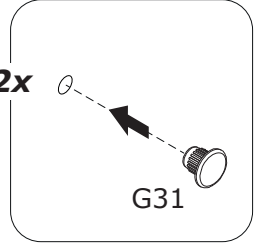
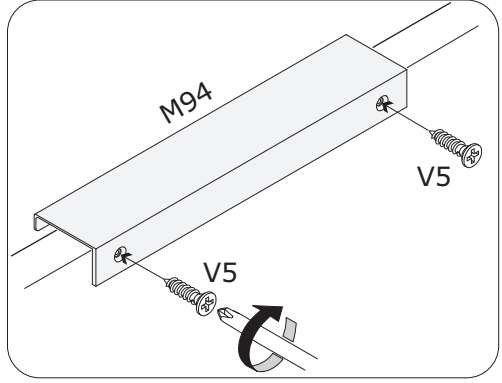
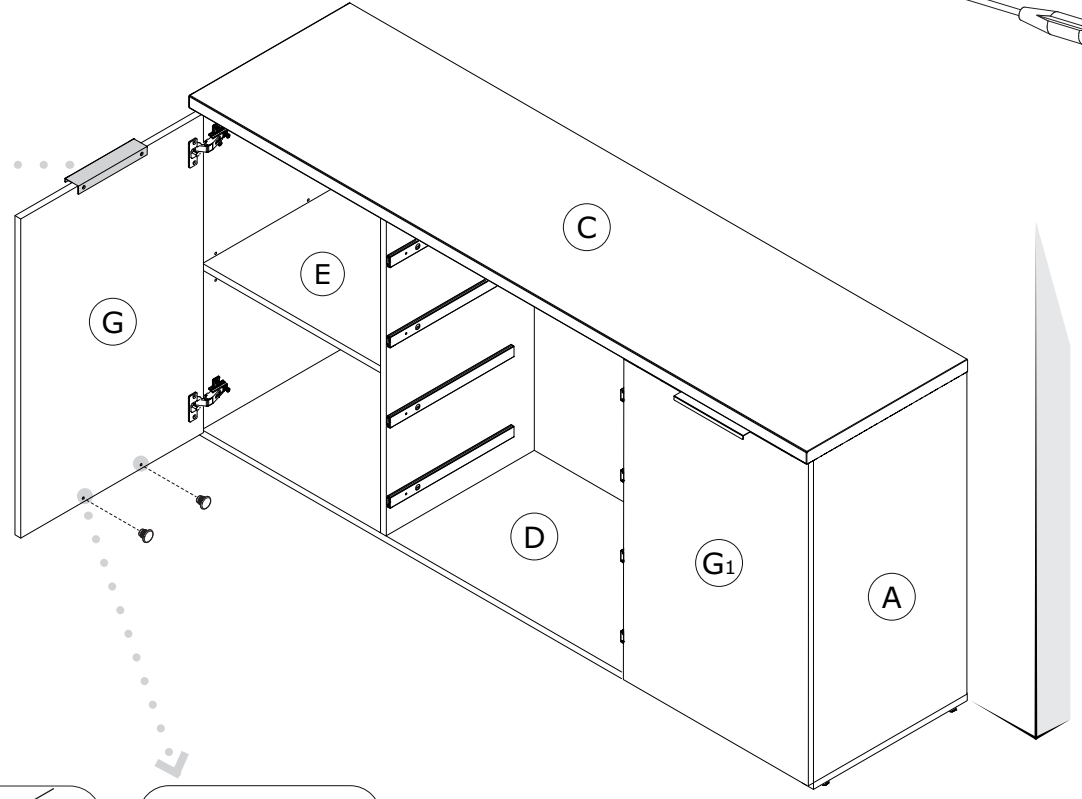
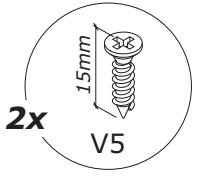
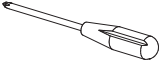


19

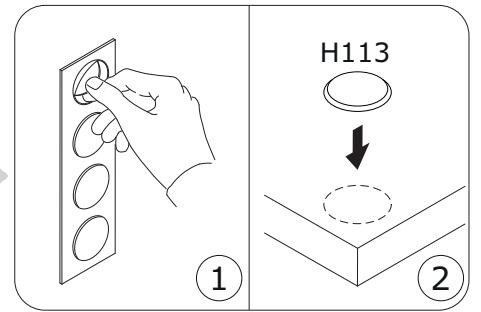
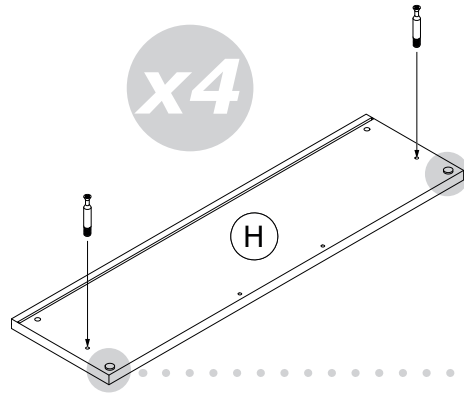
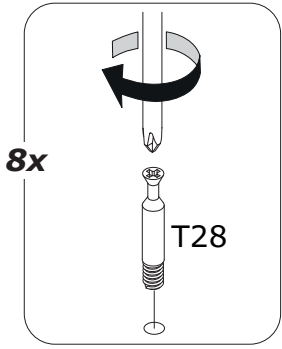
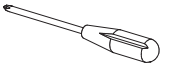




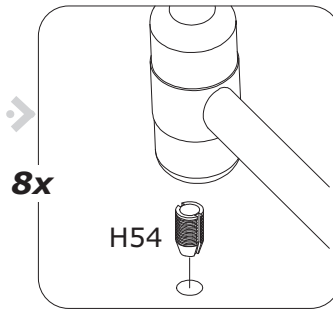
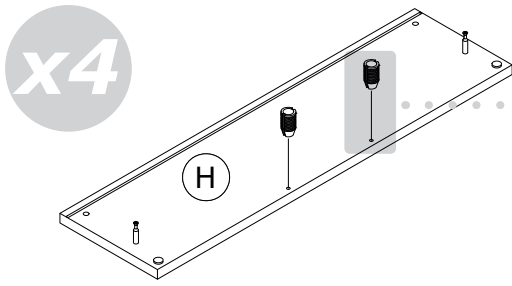
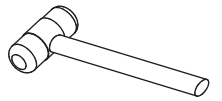
21



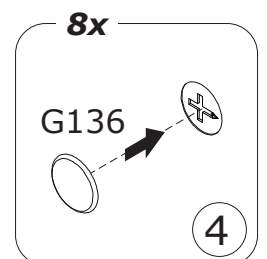
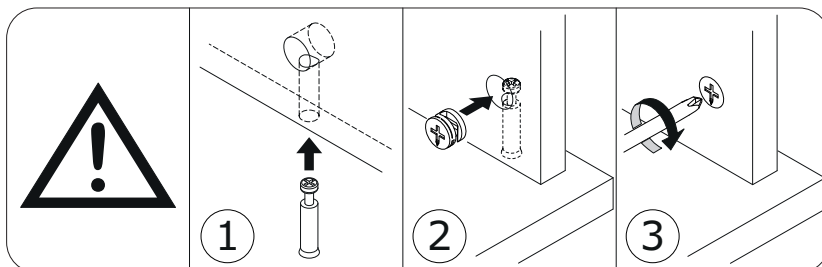
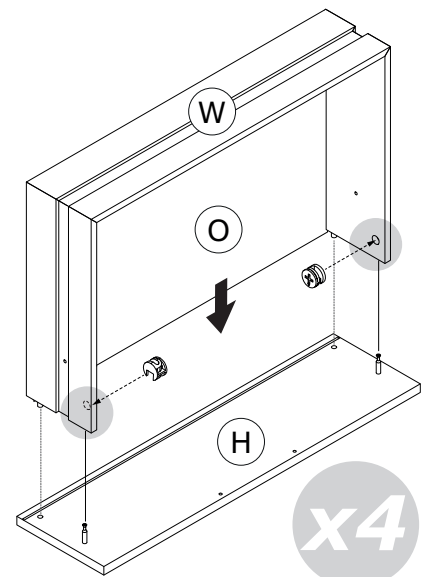
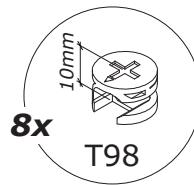
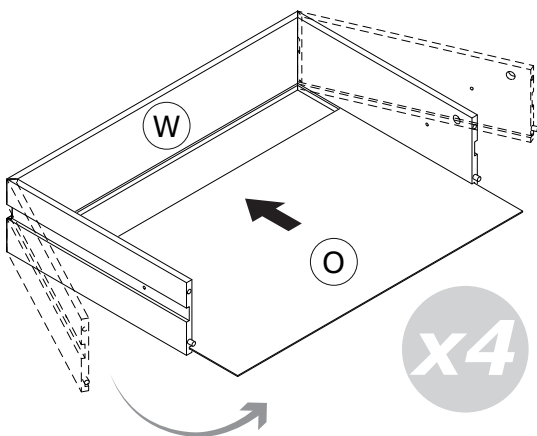
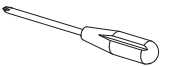
22



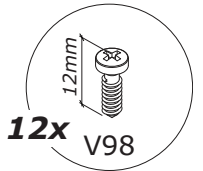
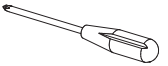
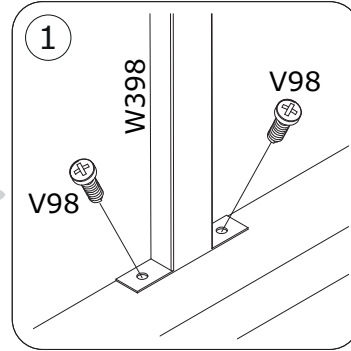
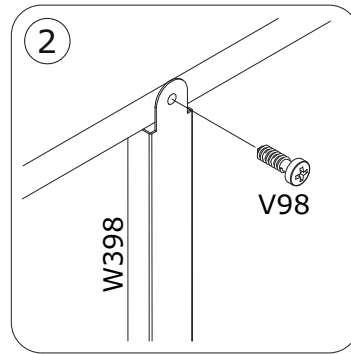
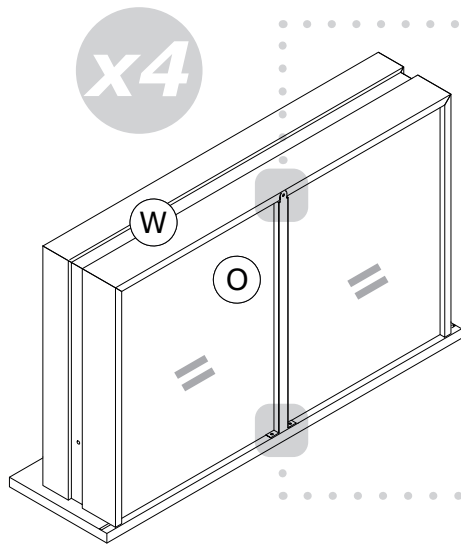
23



24



25



26

