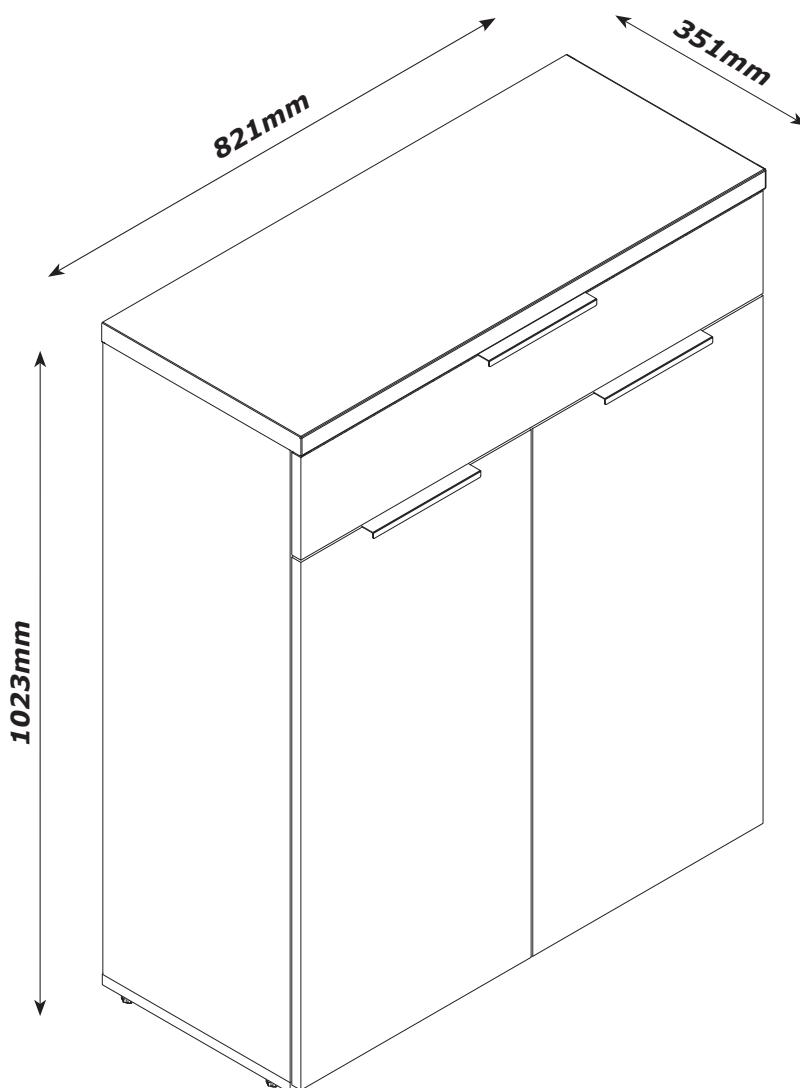
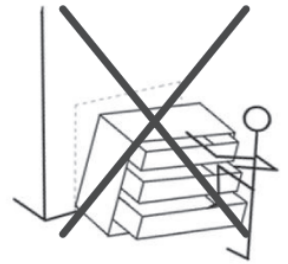
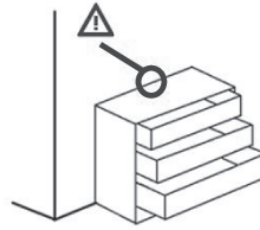
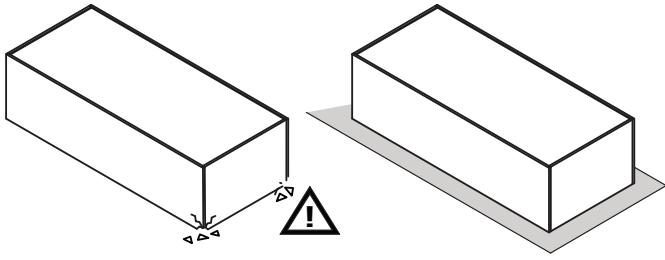
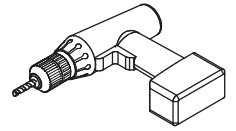
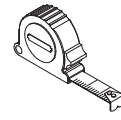
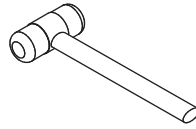
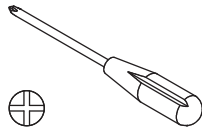
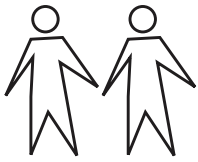


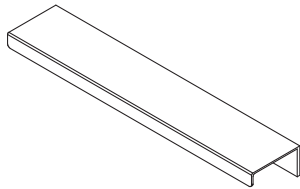
# BS4750K76805



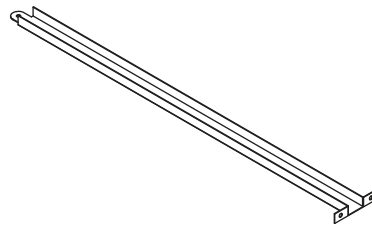
QF6049



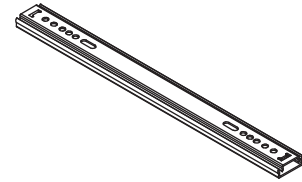
### BU5047



**M94**  
x3

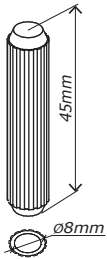


**W404**  
x1

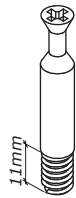


**A47**  
x2

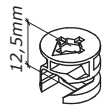
### BU5040



**H325**  
x8



**T28**  
x6



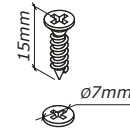
**T7**  
x4



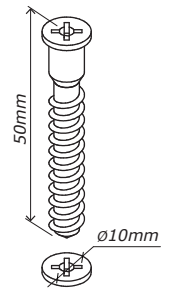
**T134**  
x4



**H54**  
x10



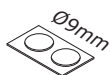
**V5**  
x26



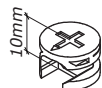
**V45**  
x4



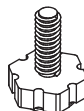
**H2**  
x16



**G163**  
x4



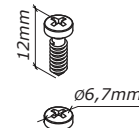
**T78**  
x2



**P39**  
x4



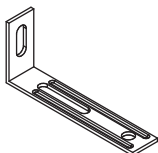
**R40**  
x12



**V98**  
x3



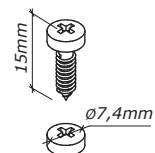
**H113**  
x6



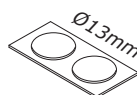
**H185**  
x1



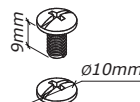
**H129**  
x2



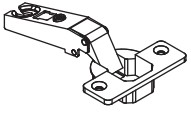
**V81**  
x2



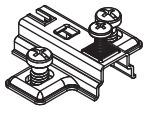
**G159**  
x2



**V38**  
x2



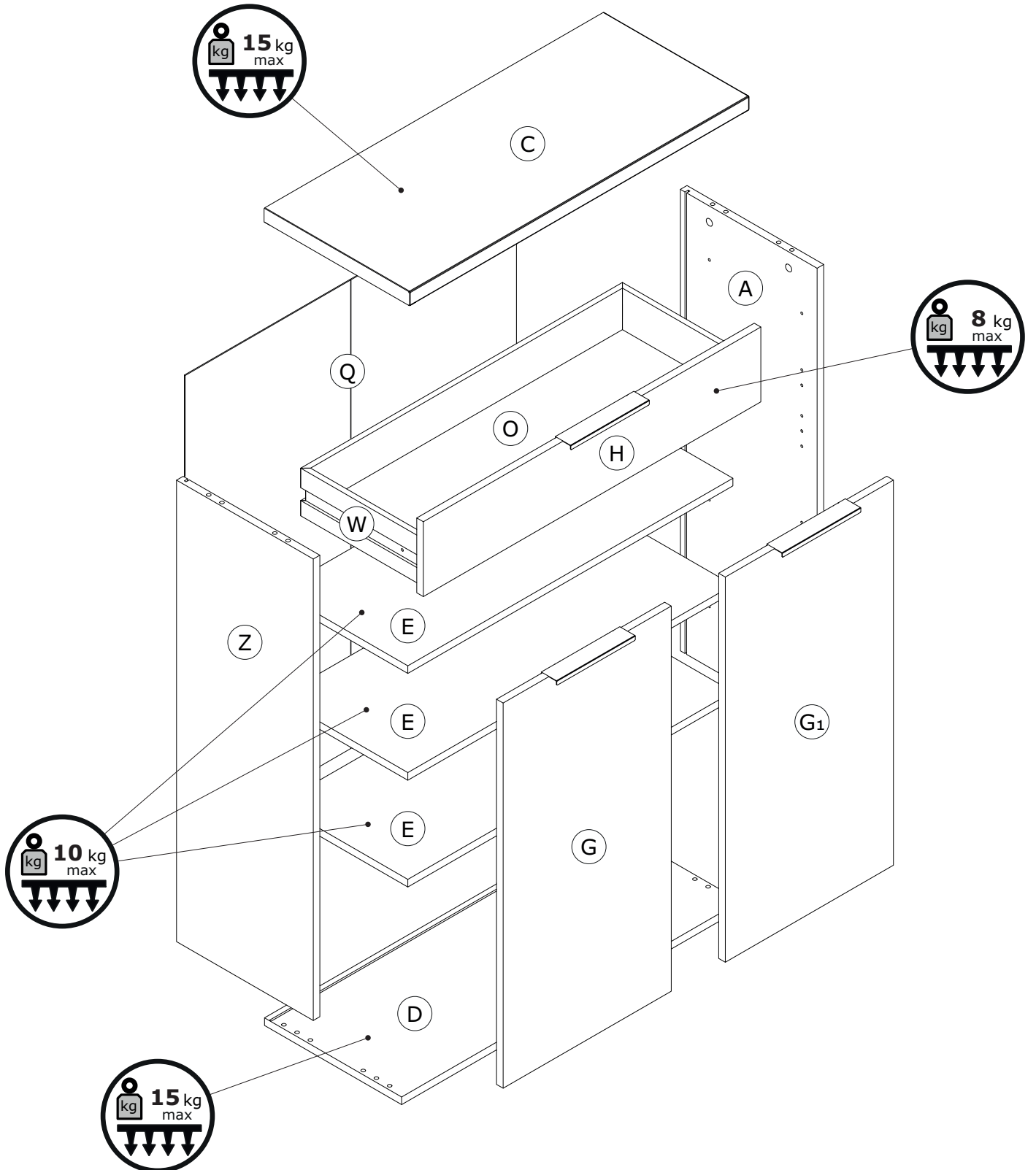
**C66**  
x4

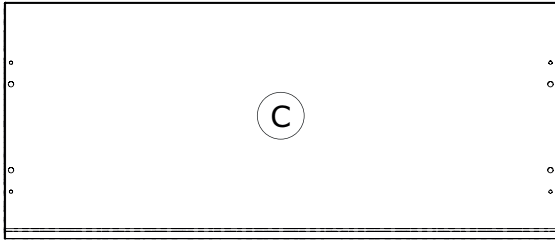


**B23**  
x4

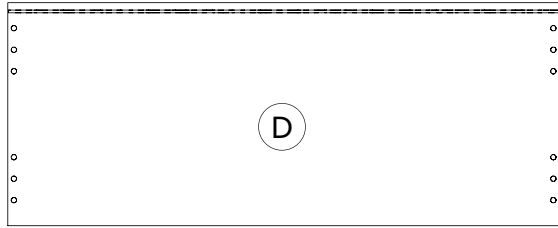


**V5**  
x8

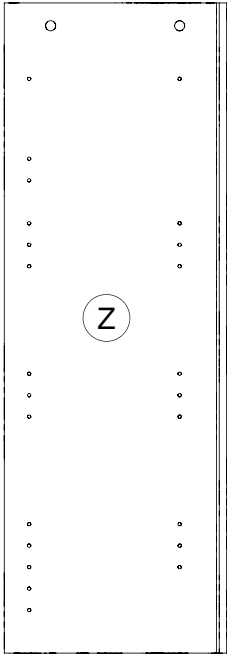




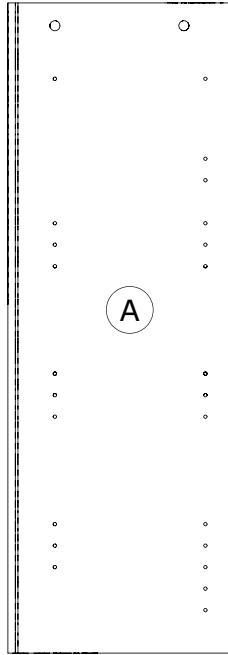
**CA3997**  
821x351x30mm



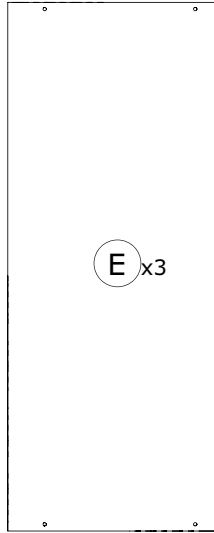
**BA2267**  
821x332x16mm



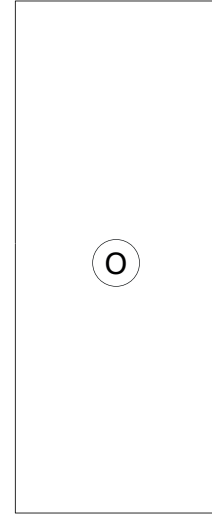
**FI9400**  
968x331x16mm



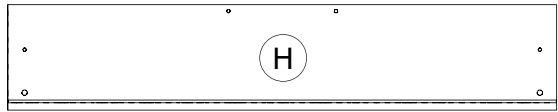
**FI9402**  
968x331x16mm



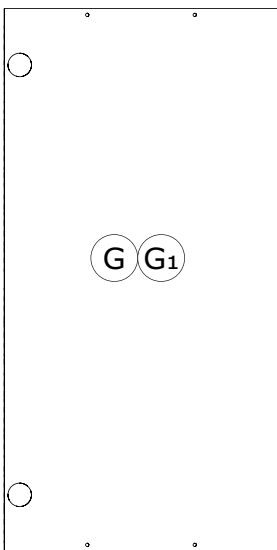
**PI7602**  
787x315x16mm



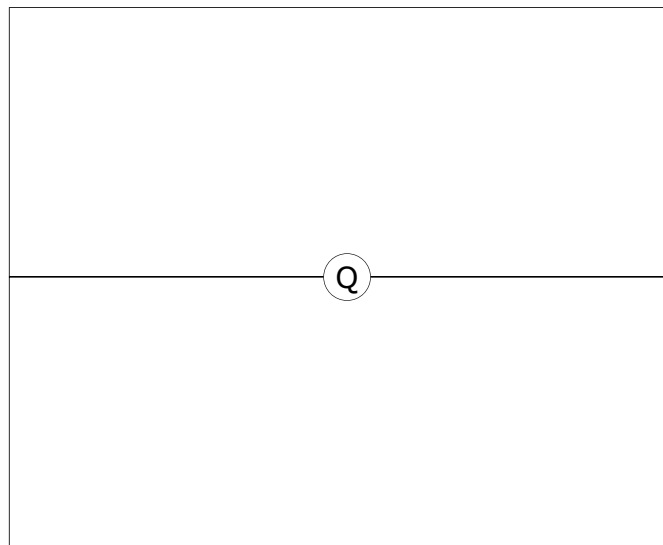
**SH3502**  
766x301x2mm



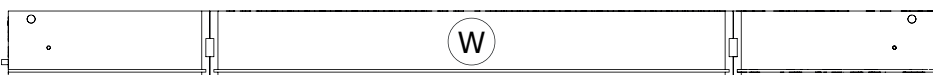
**CS3738**  
817x157x16mm



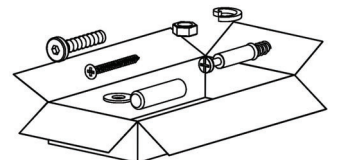
**AN3256**  
808x407x16mm



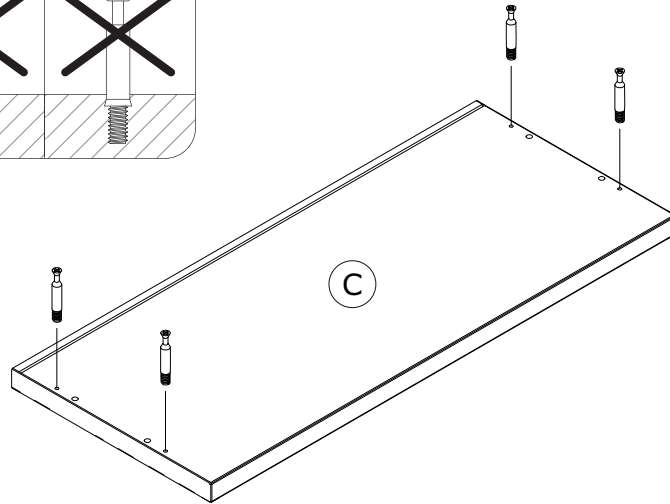
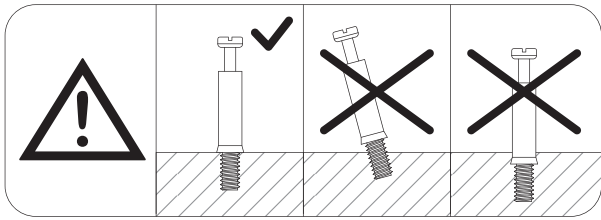
**SH3828**  
983x802x2mm



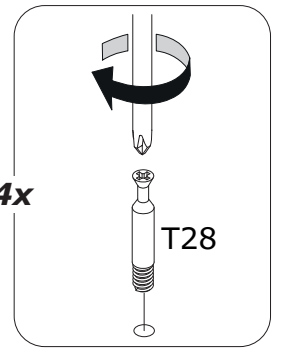
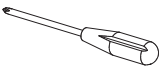
**OF0770**  
300x779x300mm H.100mm



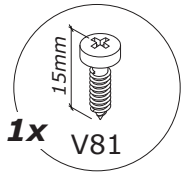
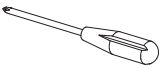
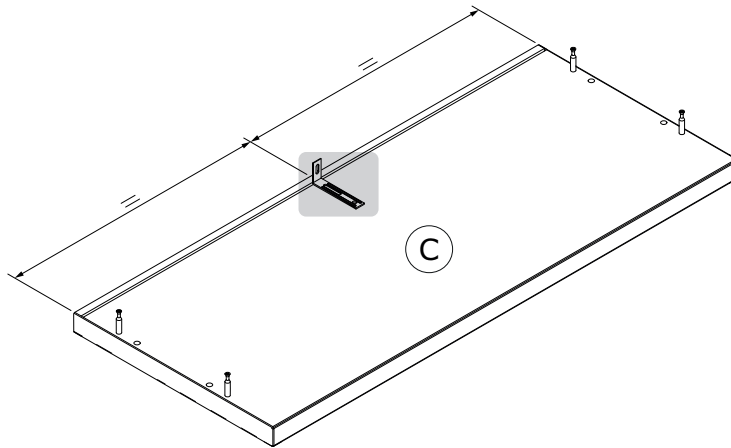
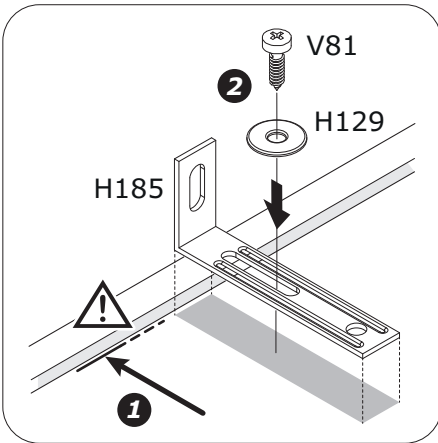
1



4x

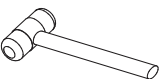
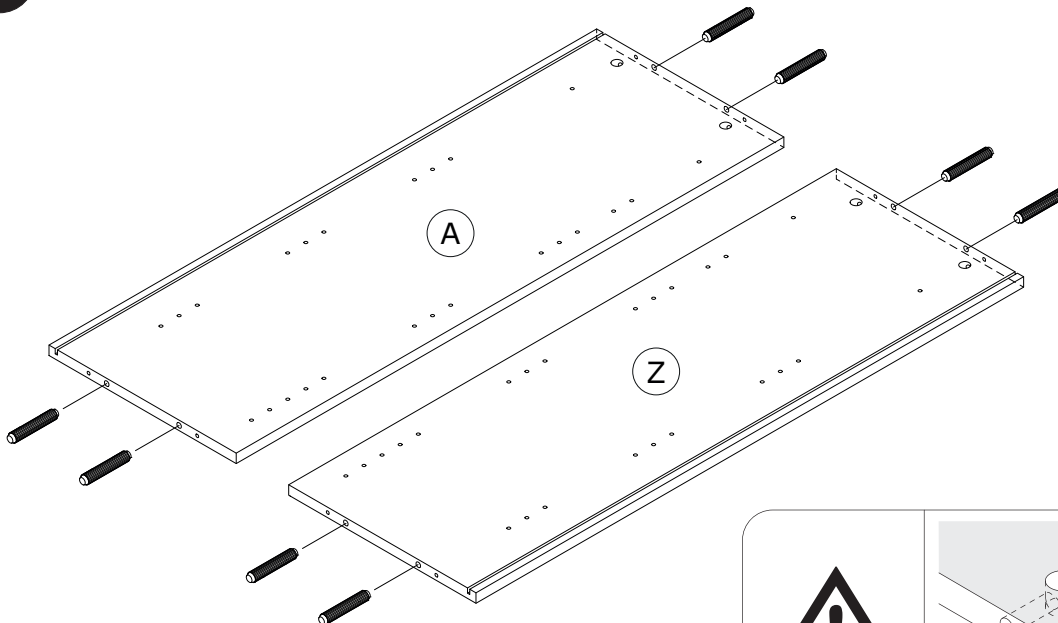


2

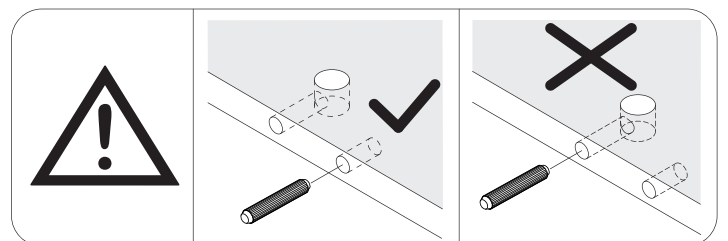
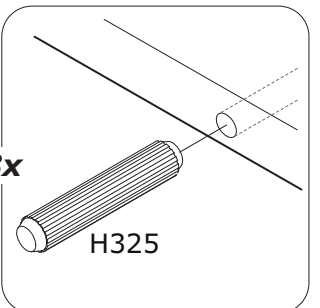


1x V81

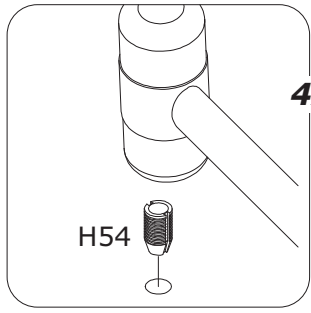
3



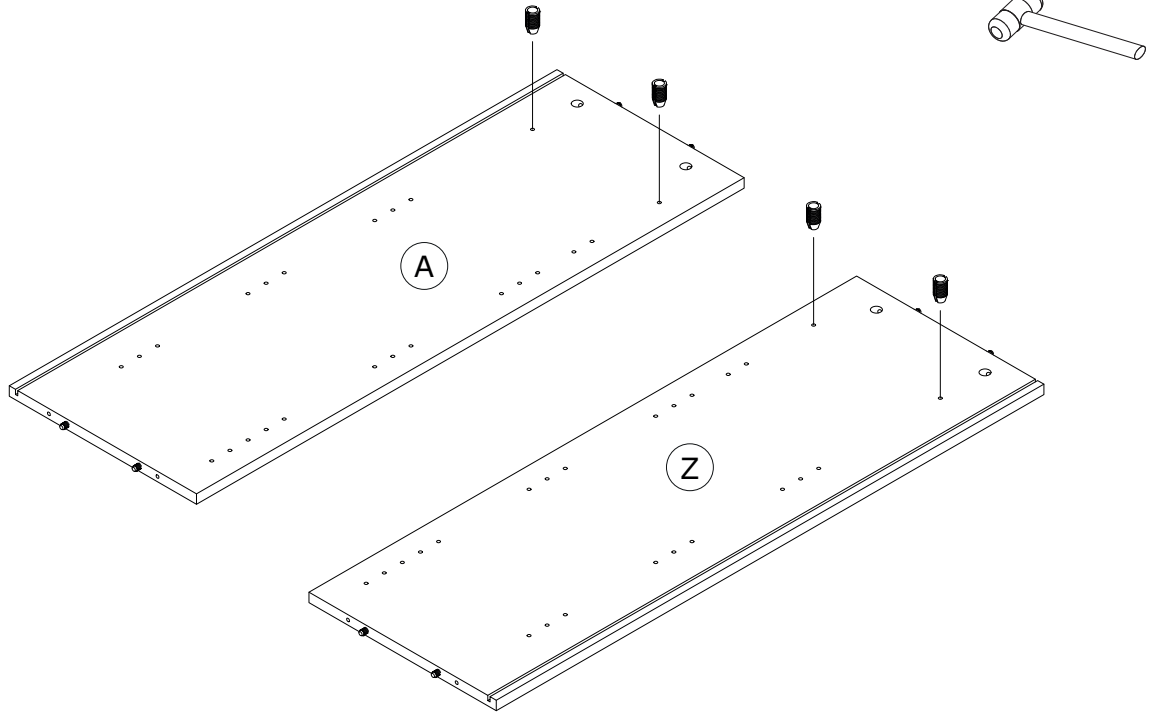
8x



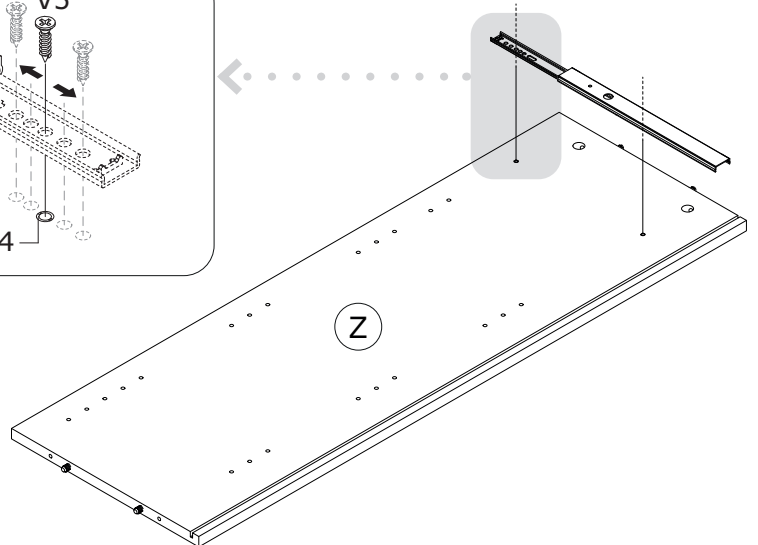
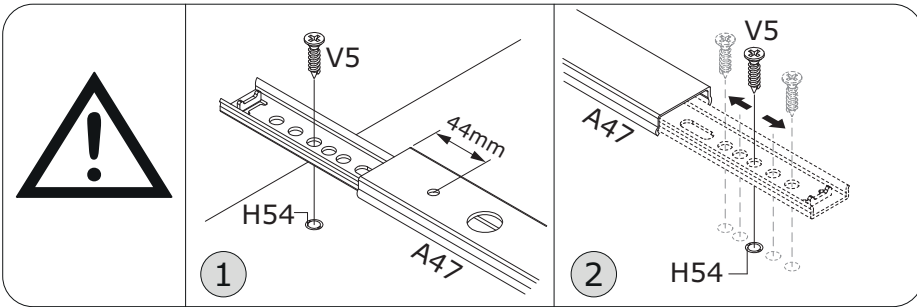
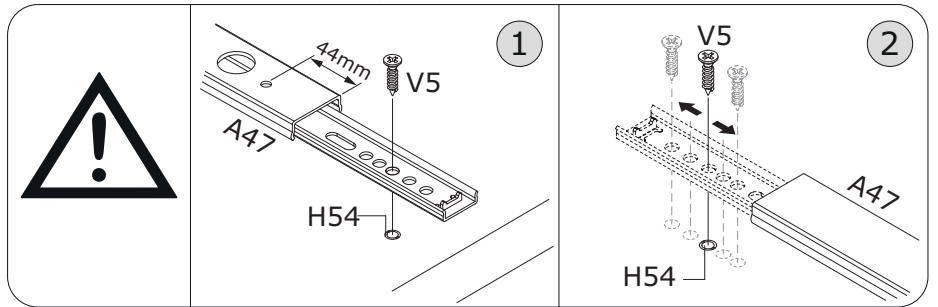
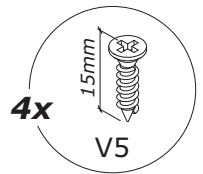
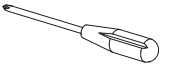
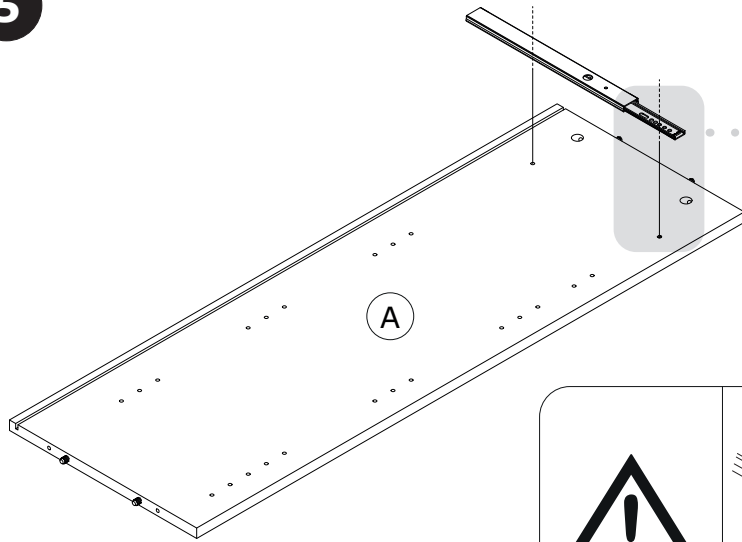
4



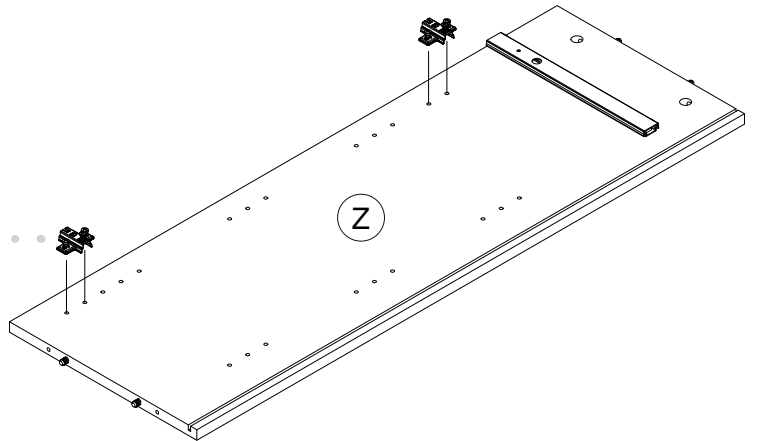
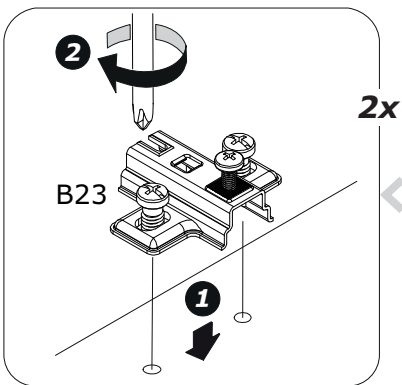
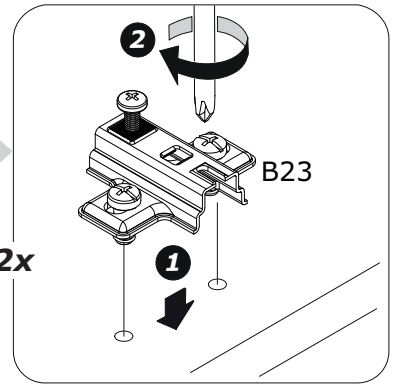
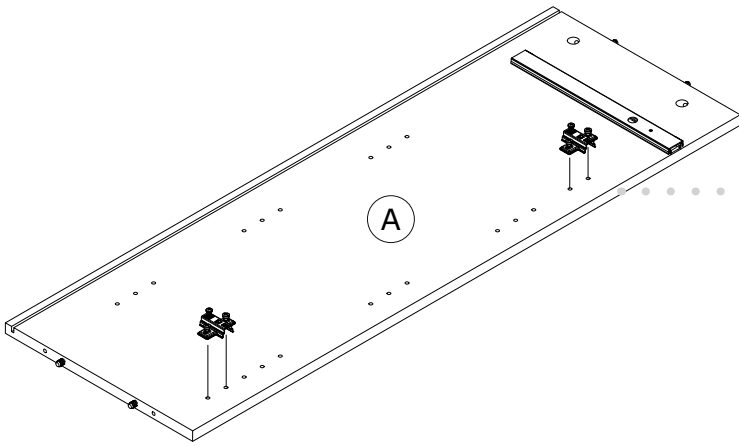
4x



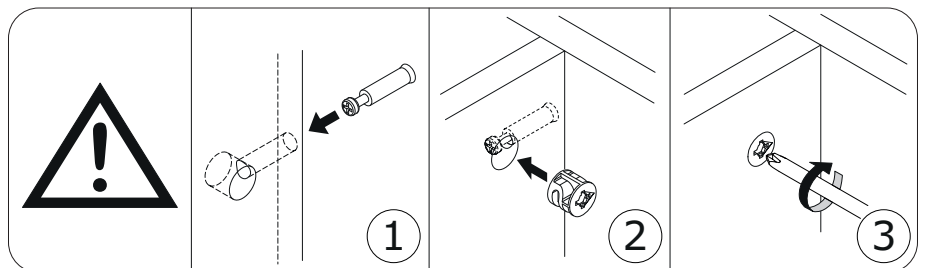
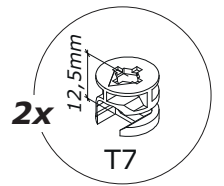
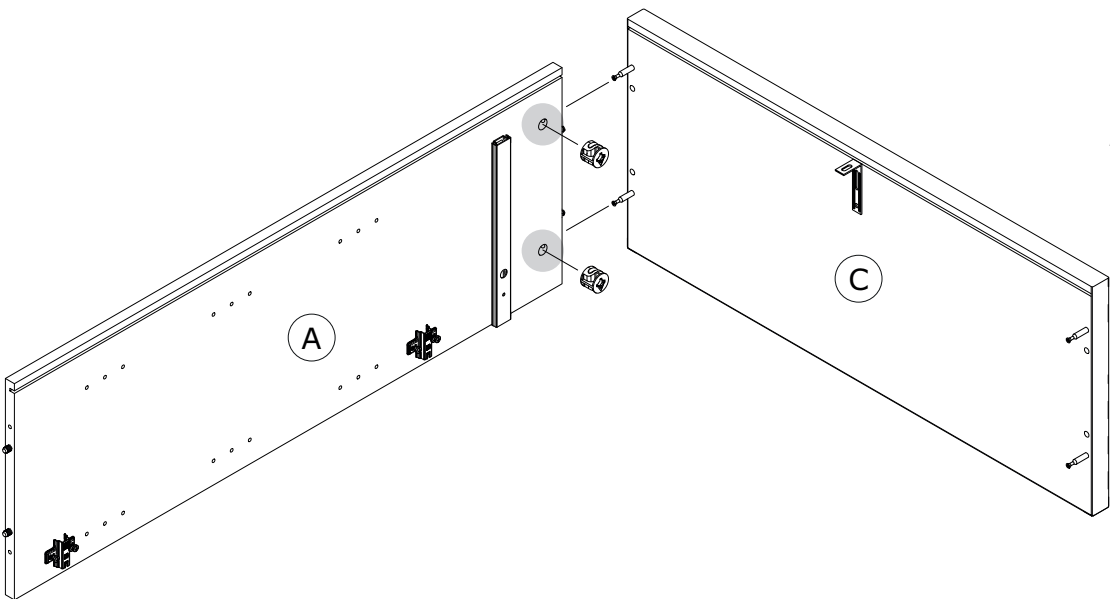
5



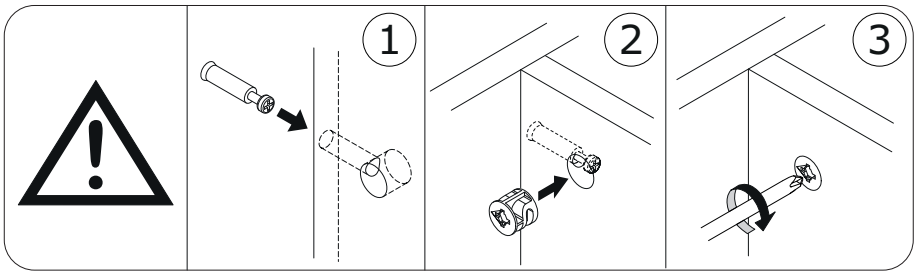
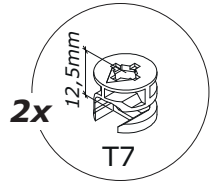
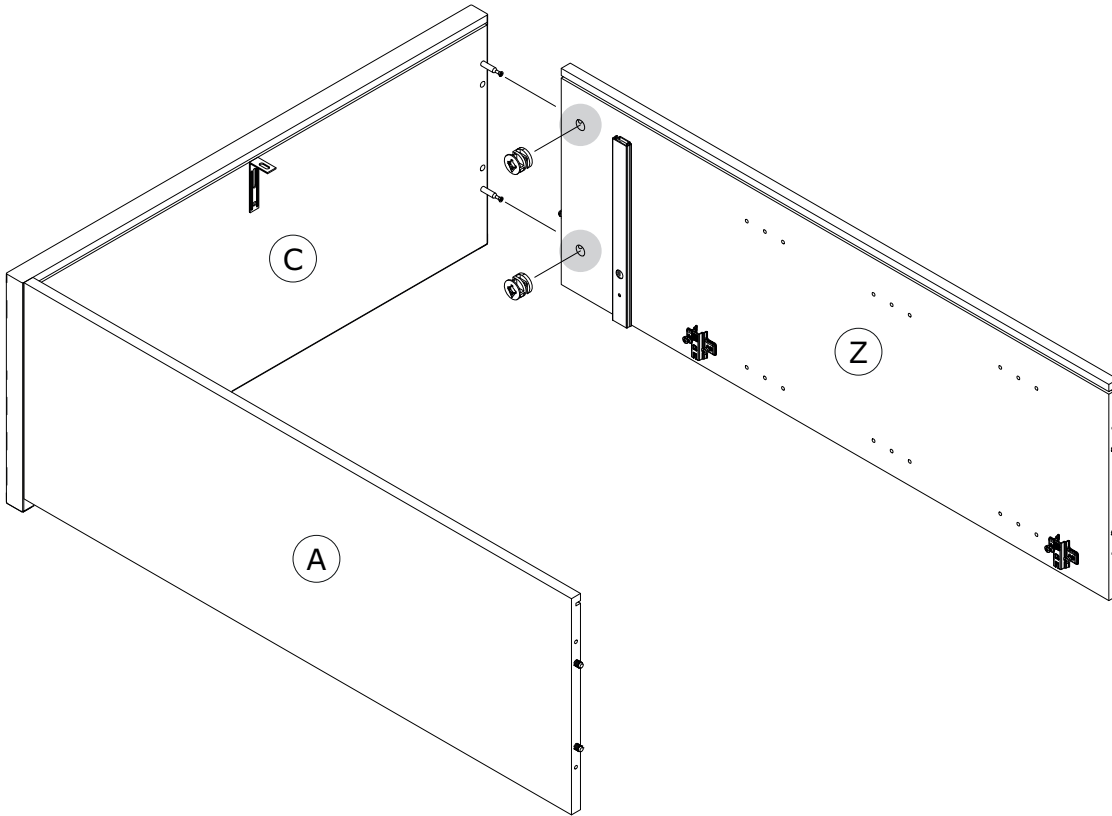
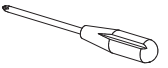
6



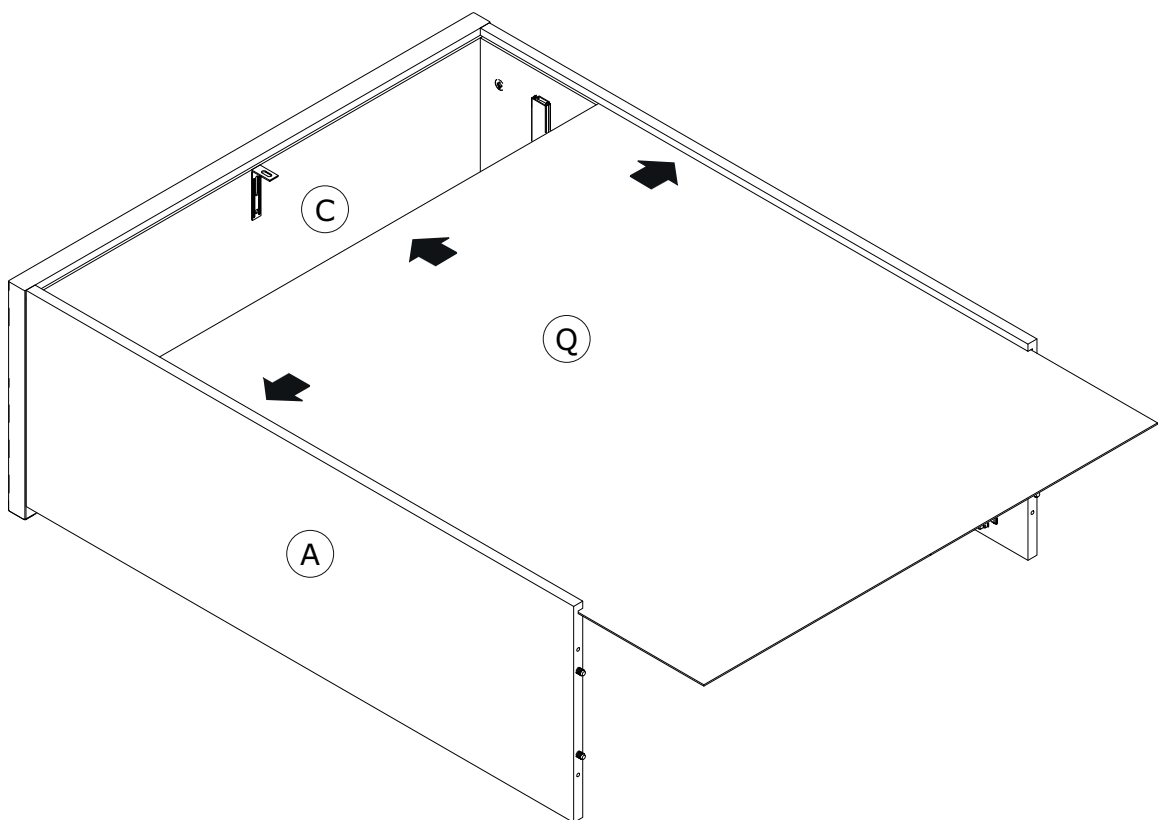
7



8

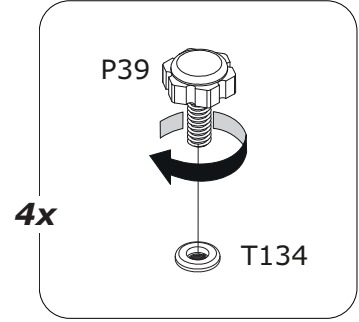
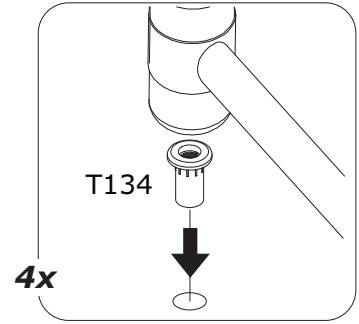
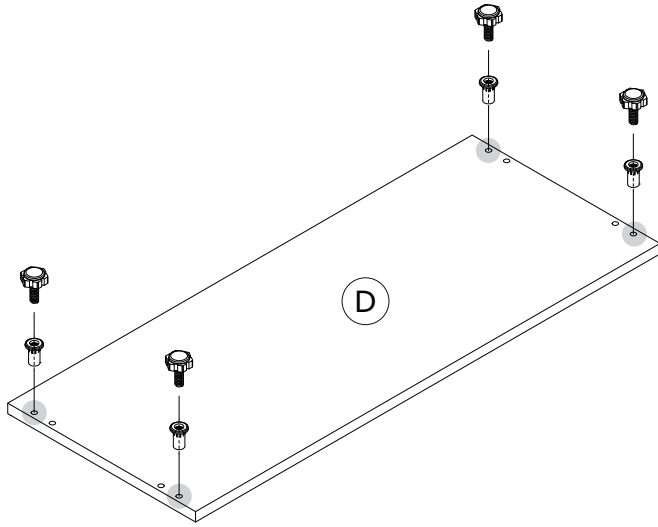
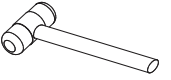


9

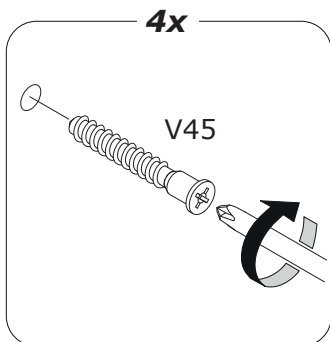
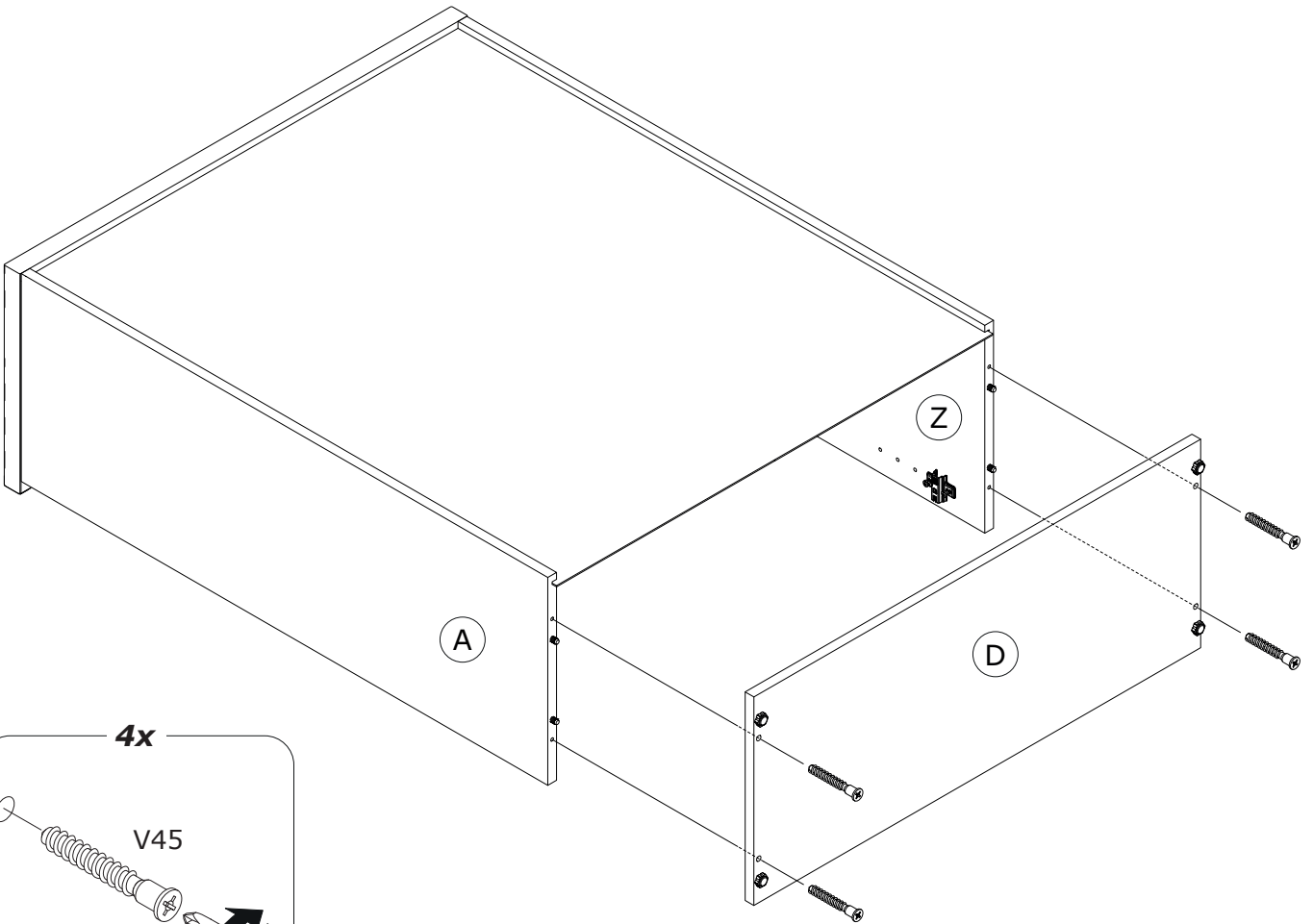
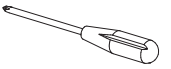




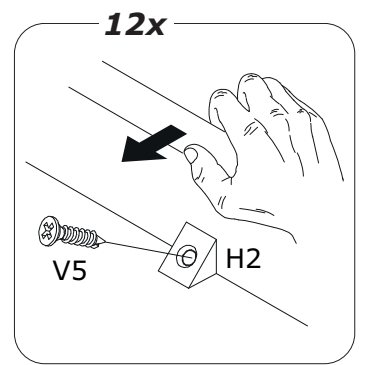
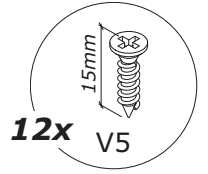
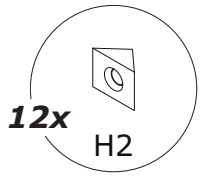
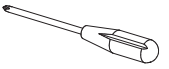
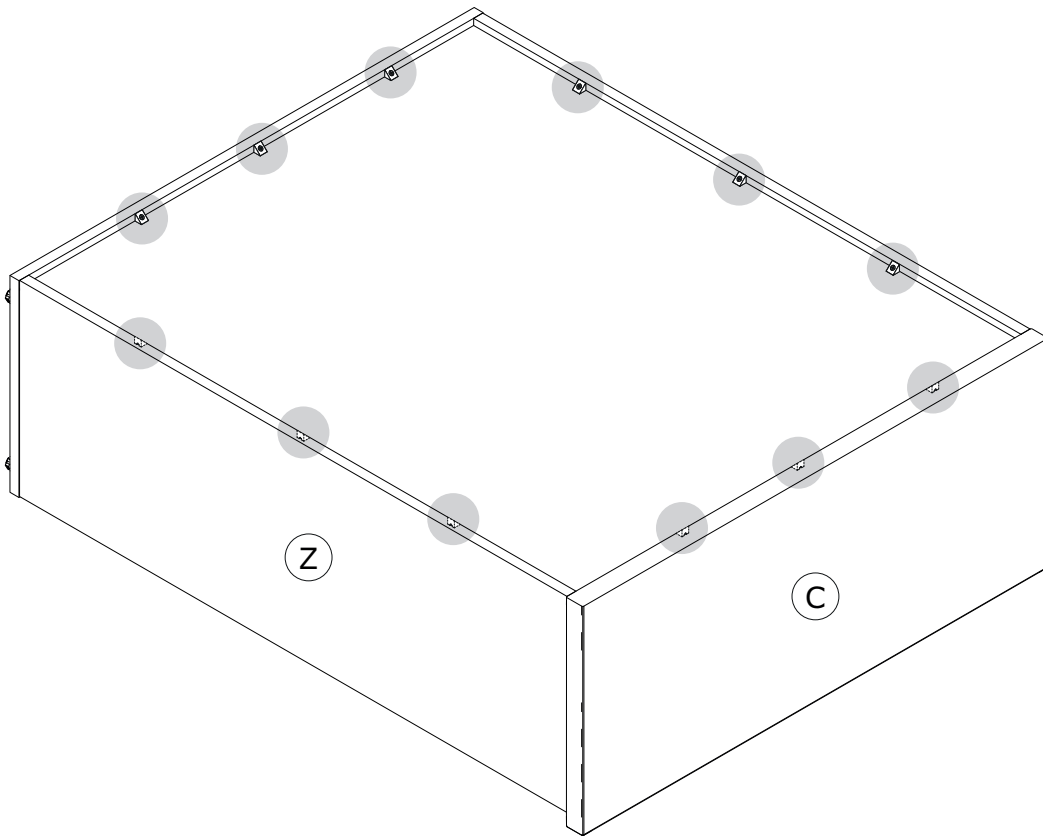
10



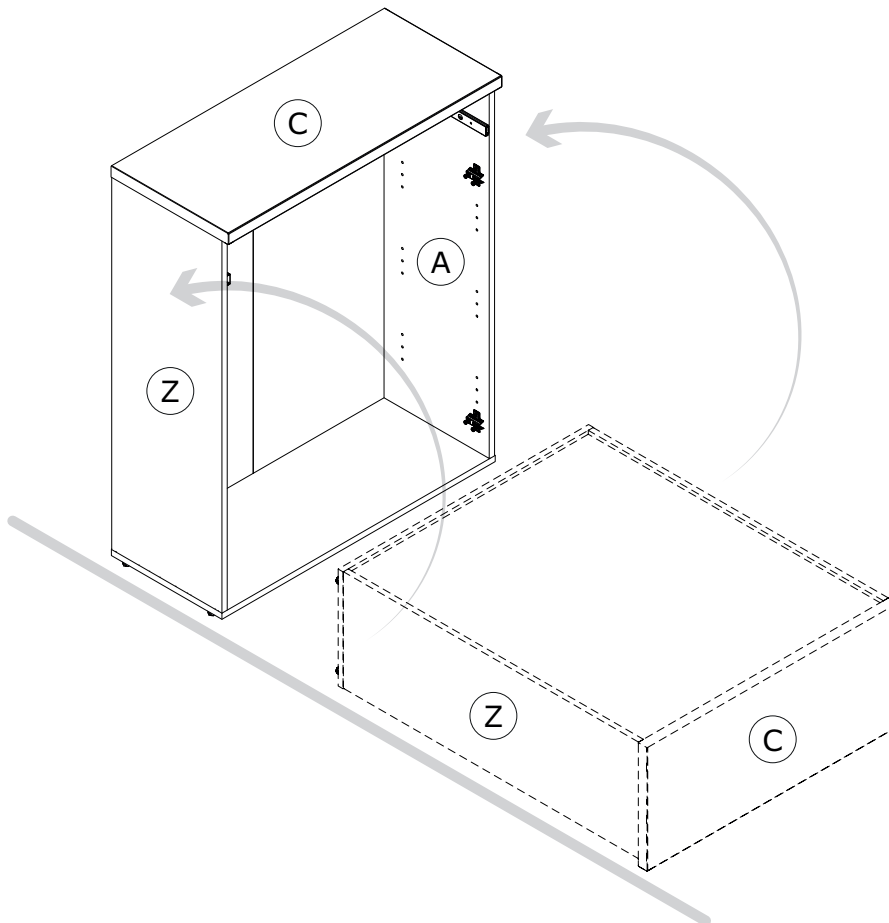
11

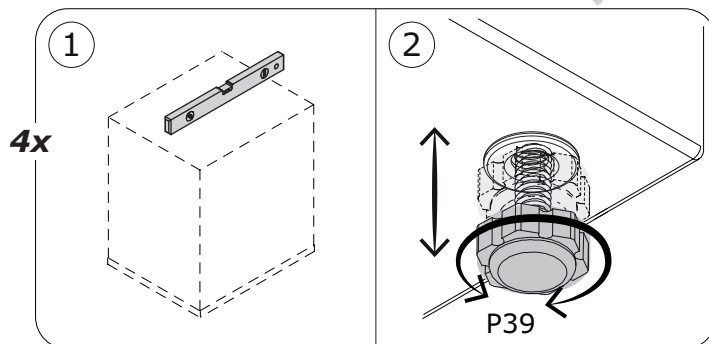
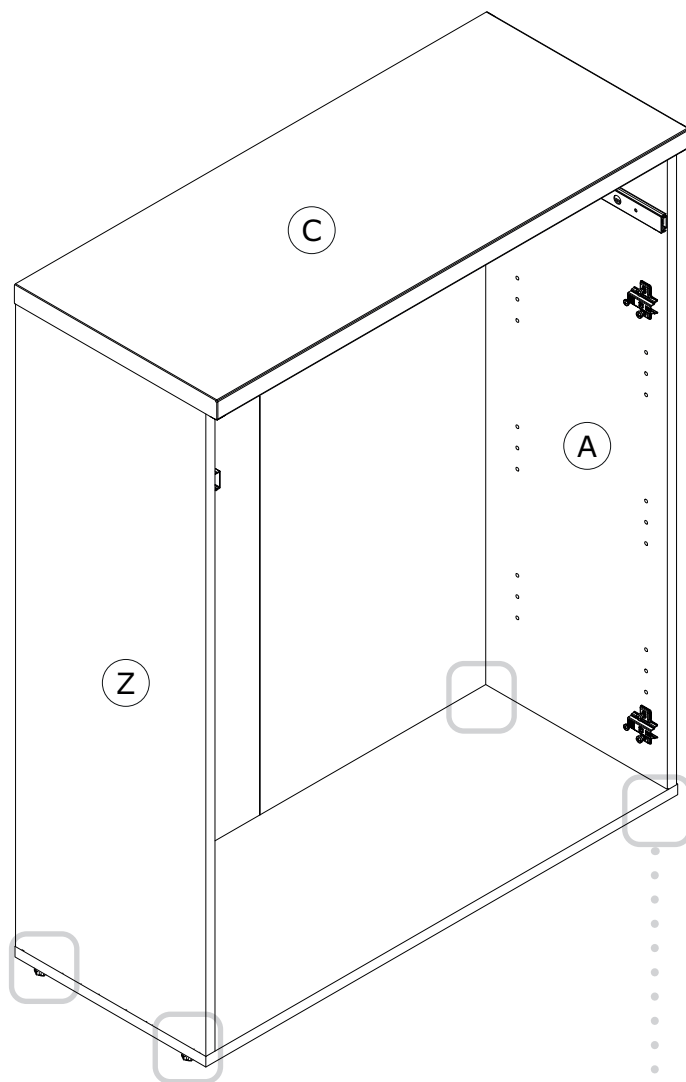
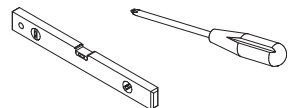


12

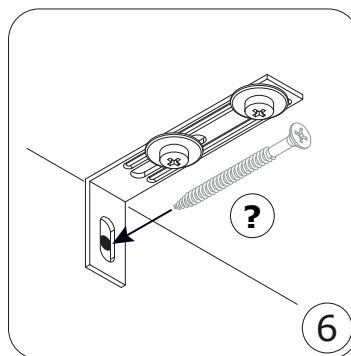
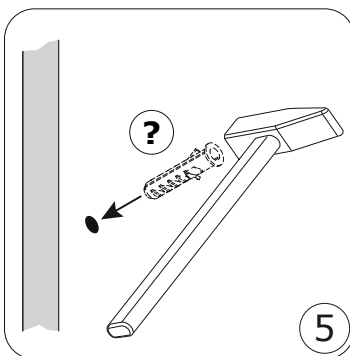
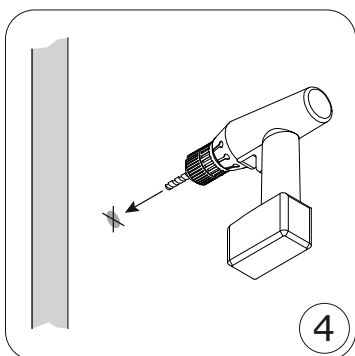
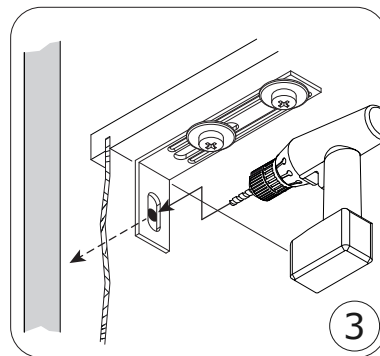
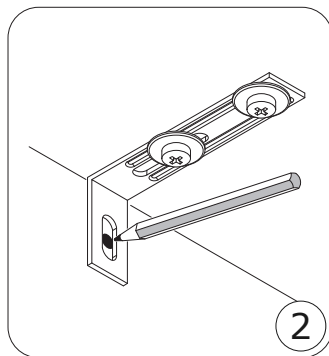
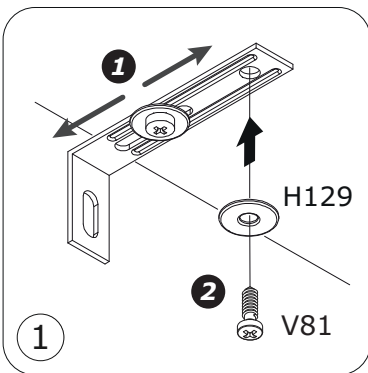
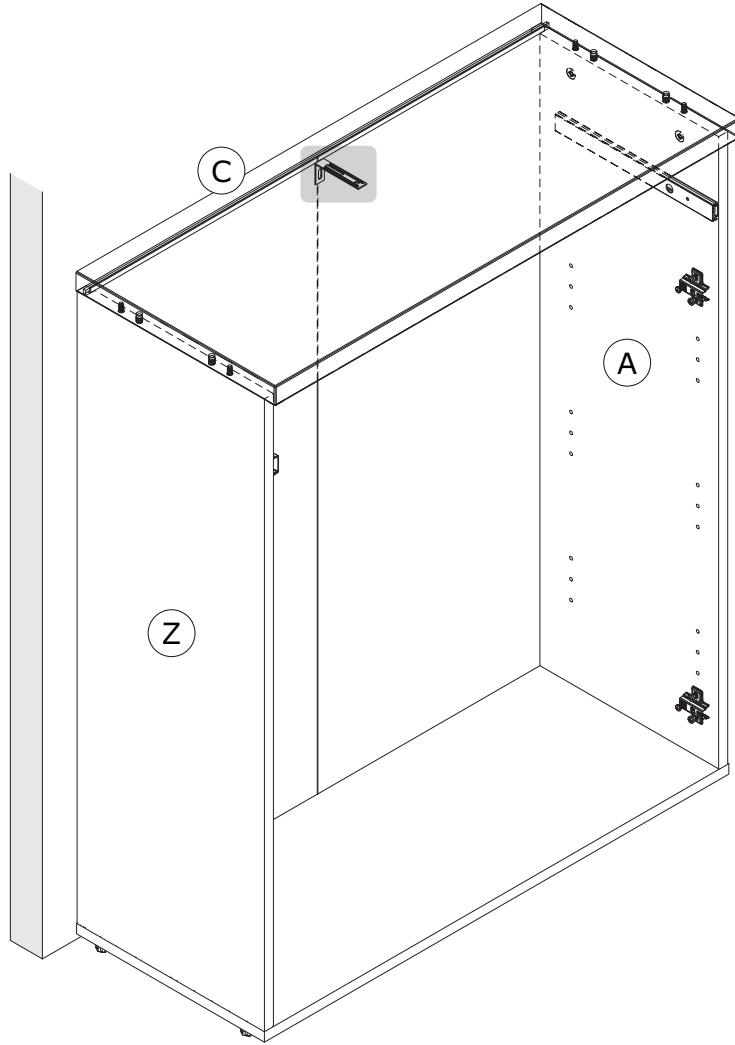
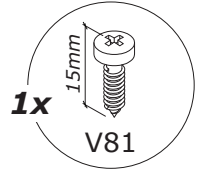
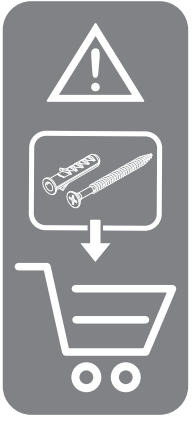
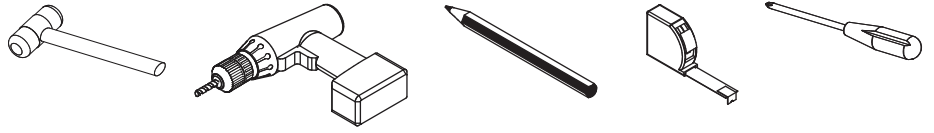


13

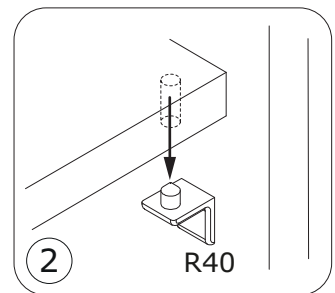
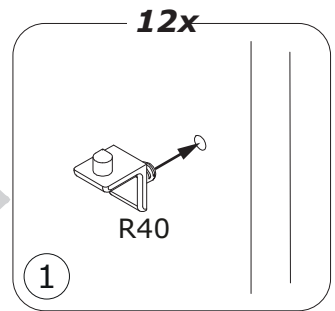
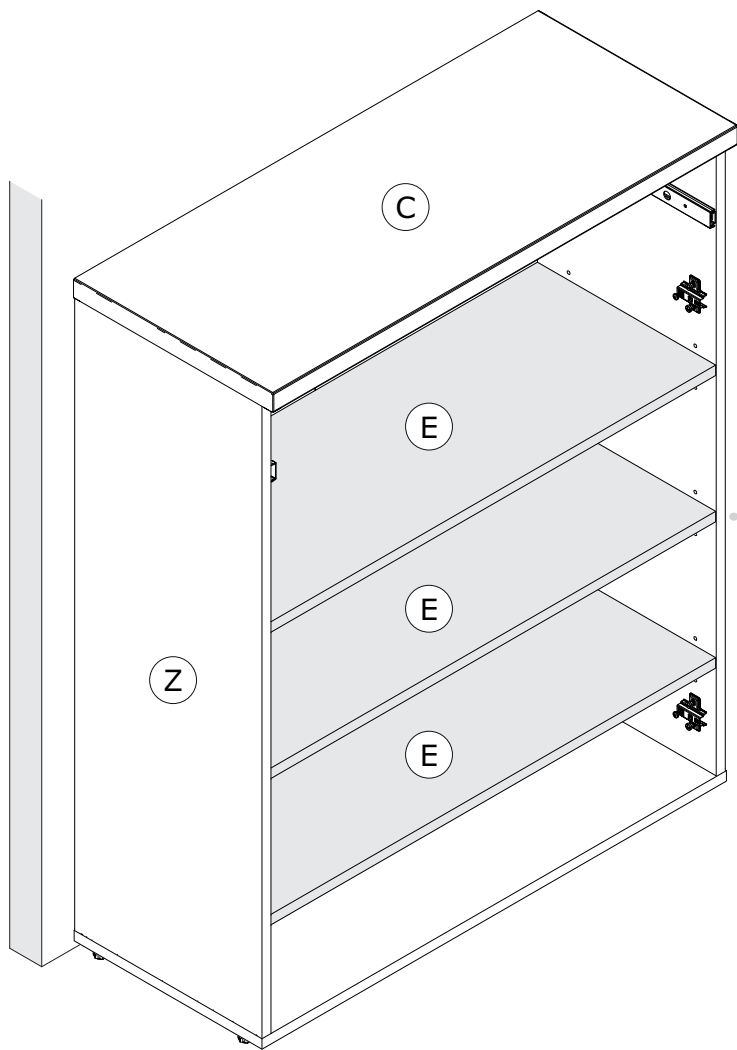




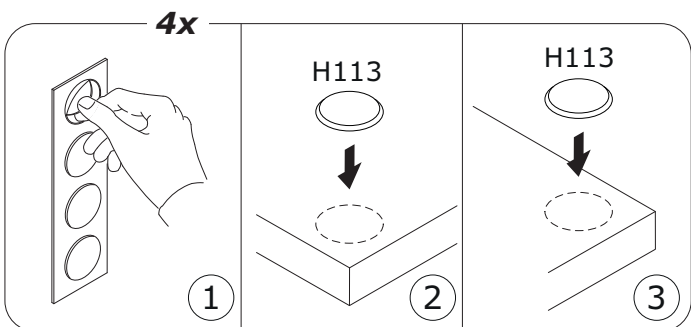
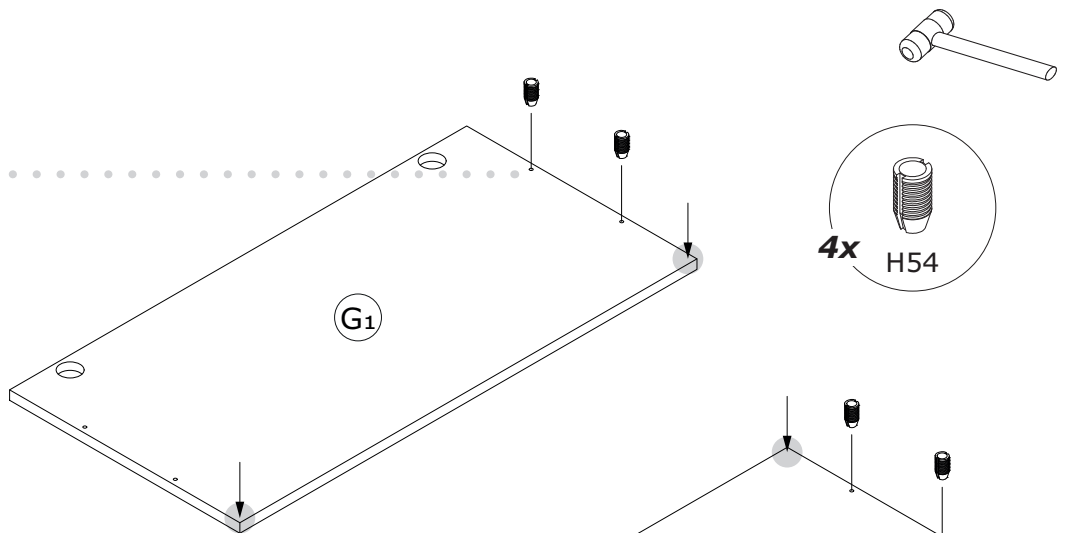
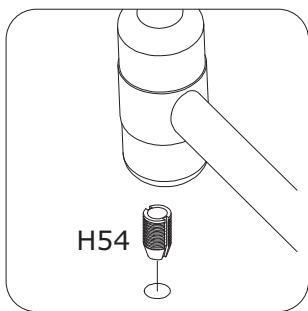
15



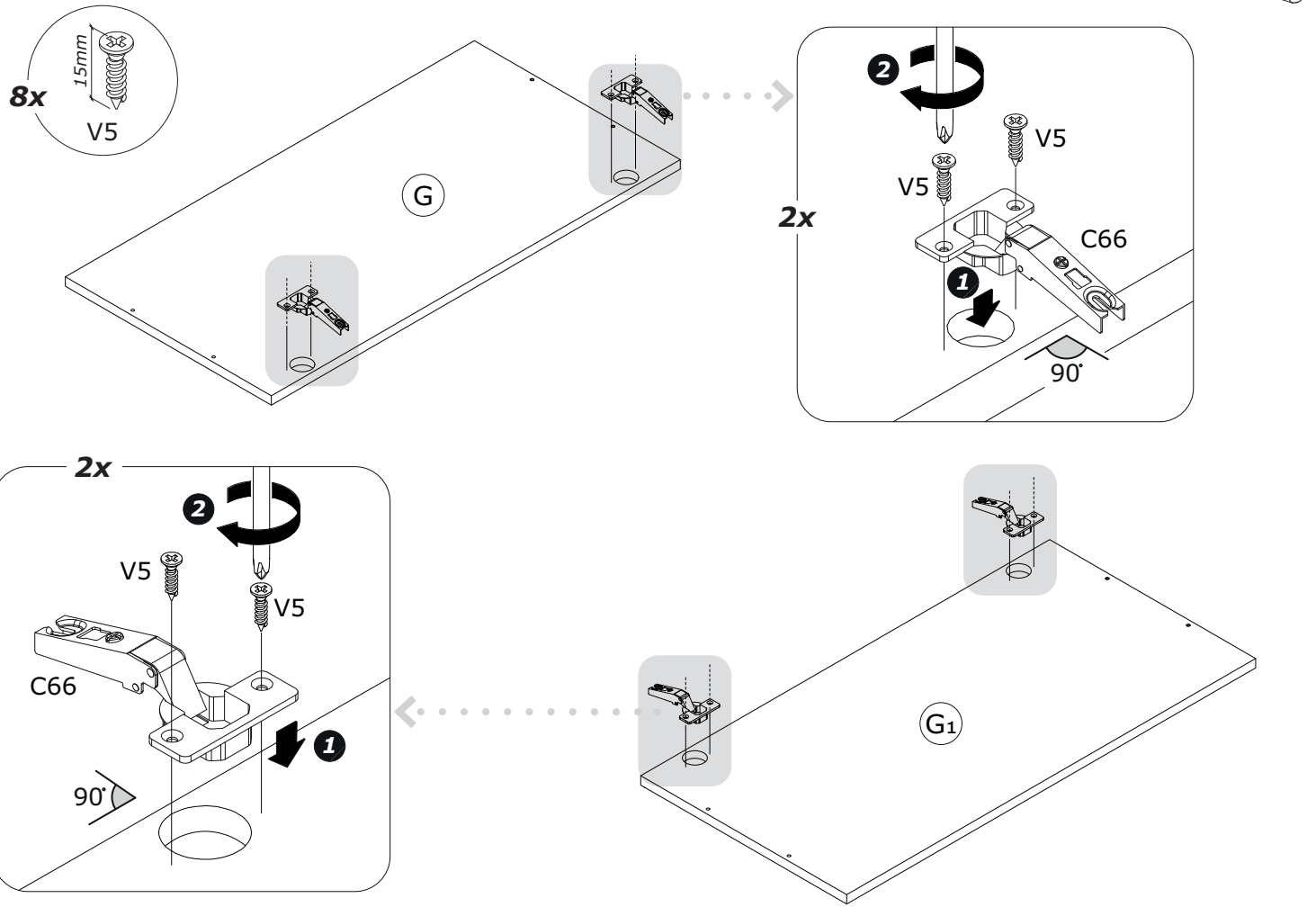
16



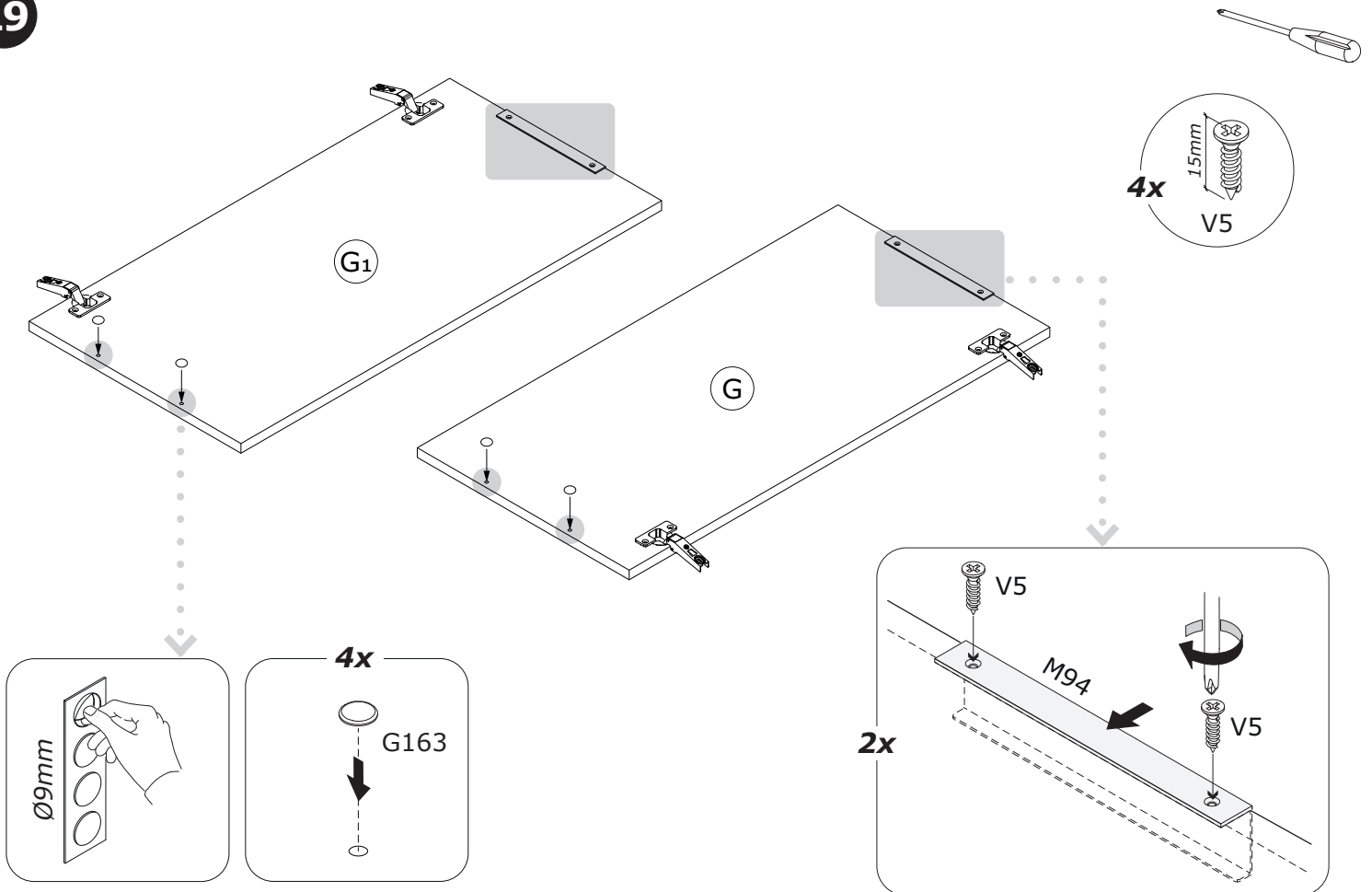
17

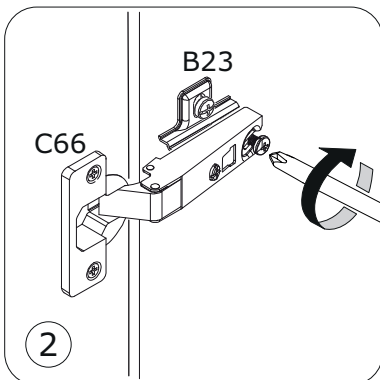
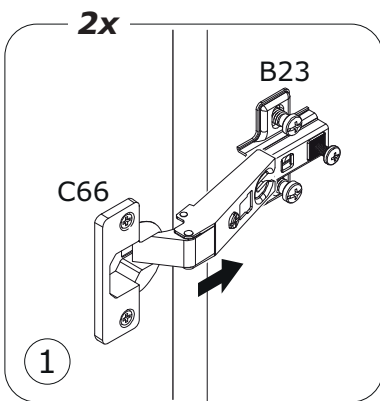
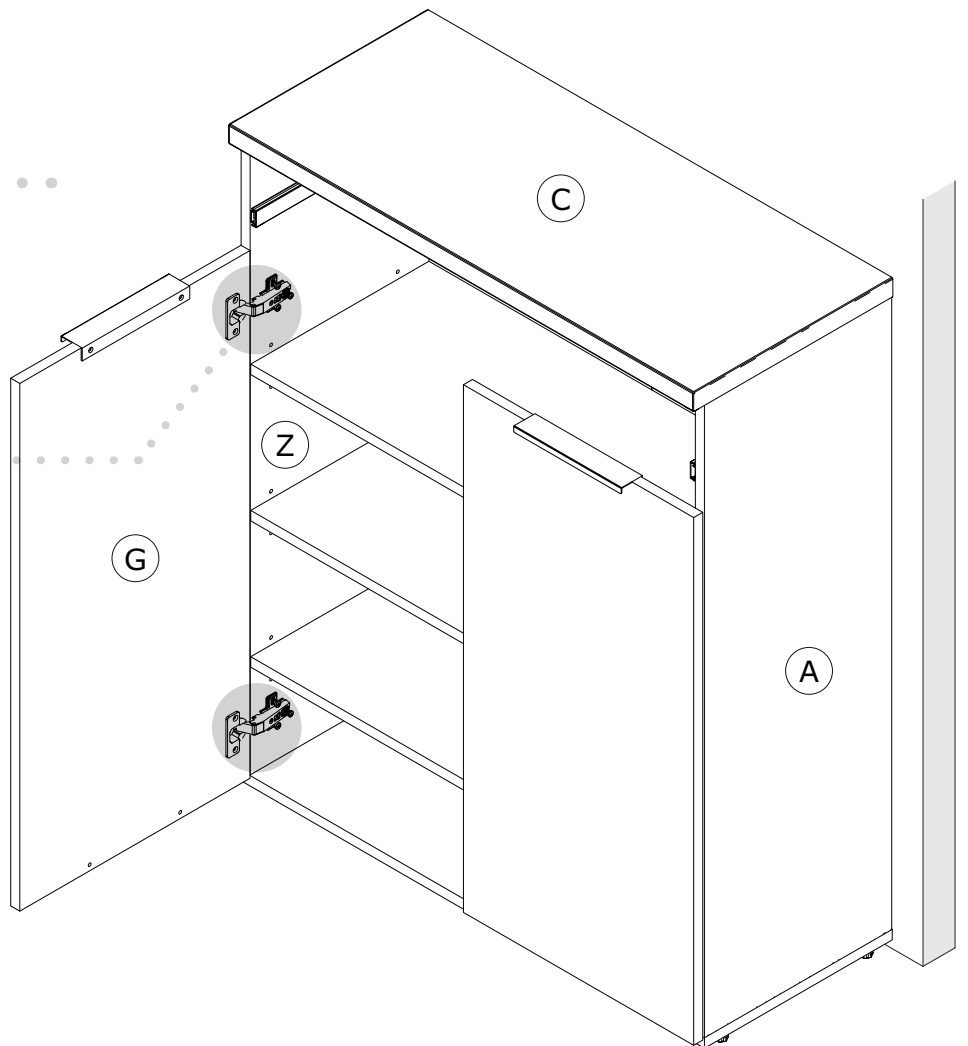
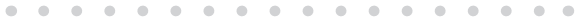
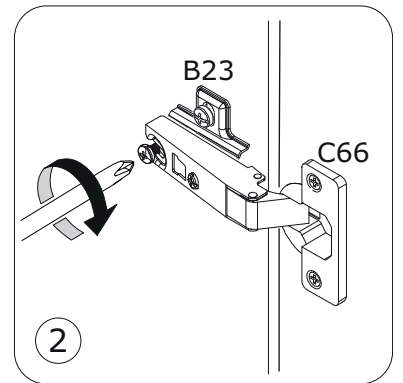
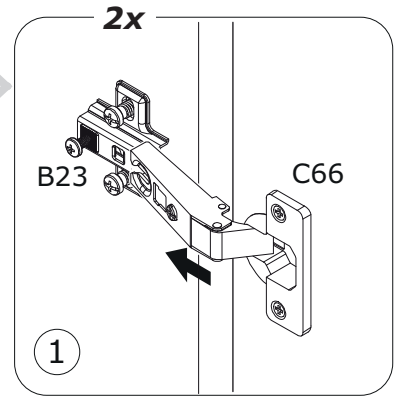
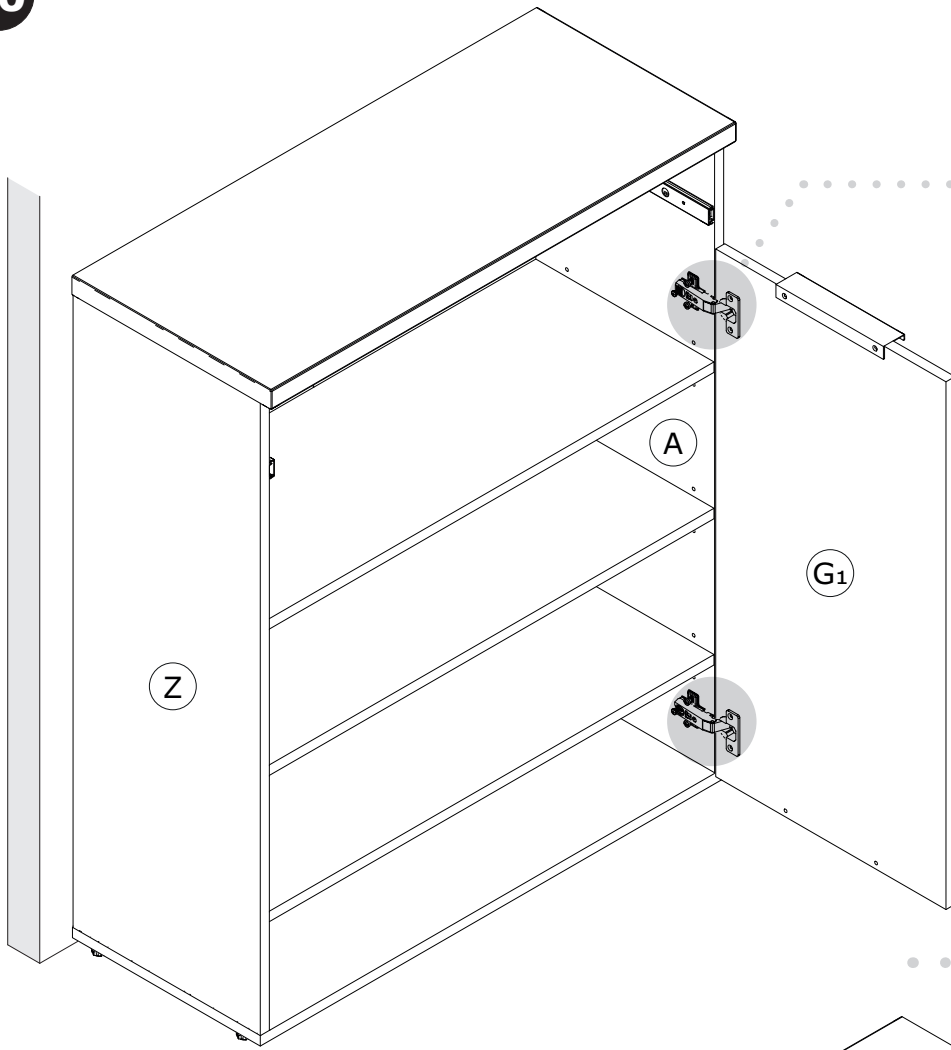
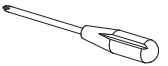


18

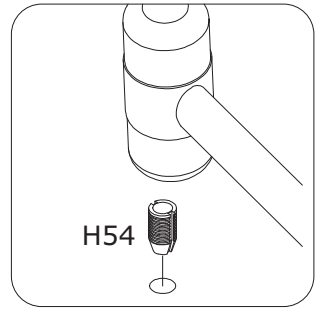
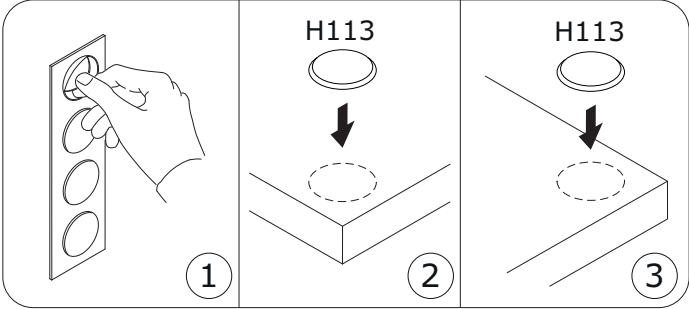
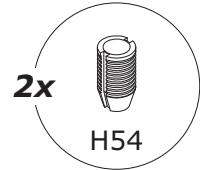
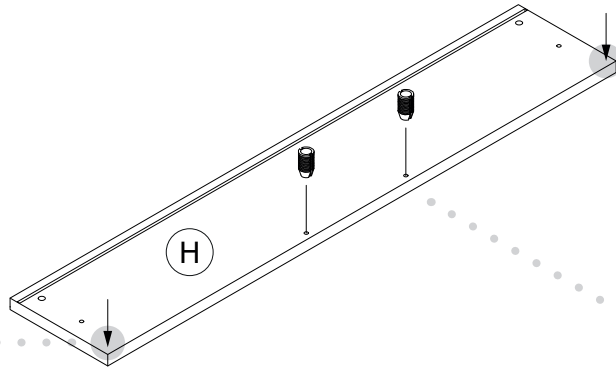
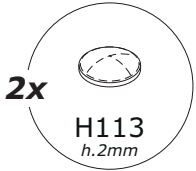
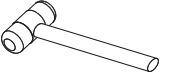


19

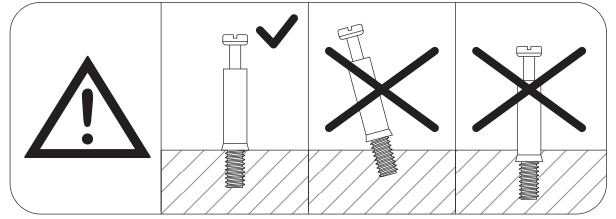
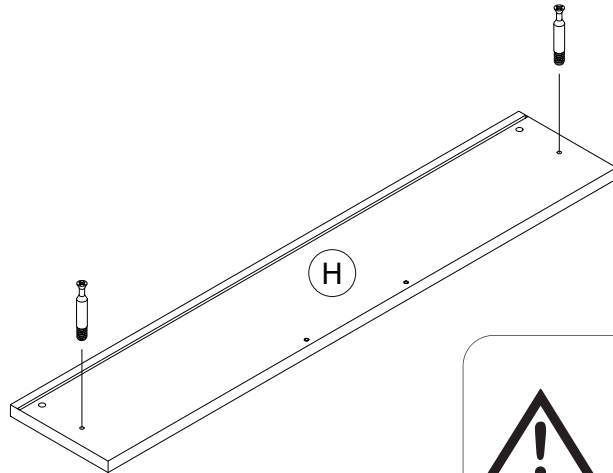
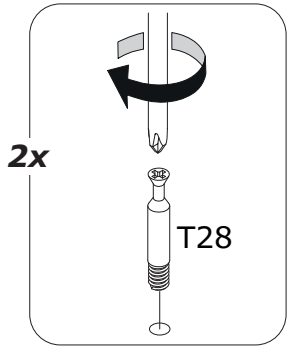
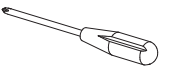




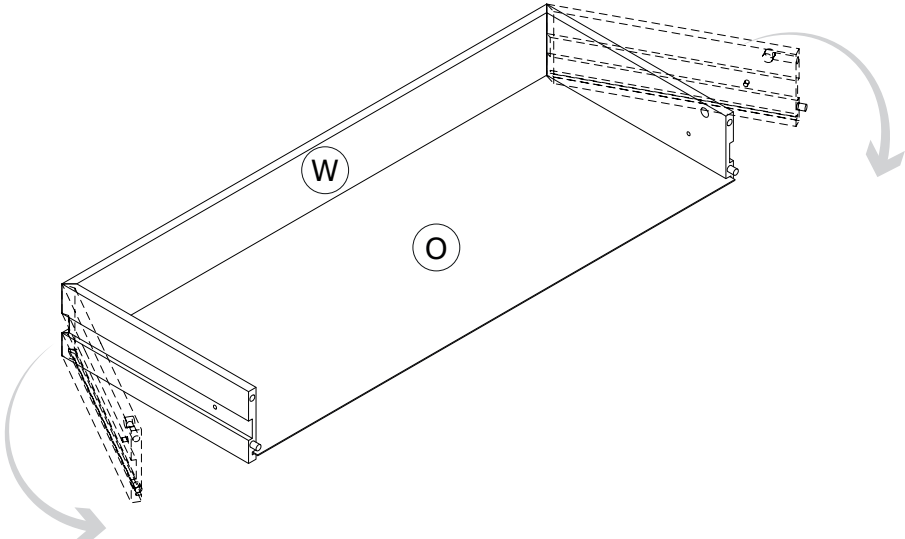
21



22

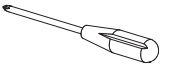
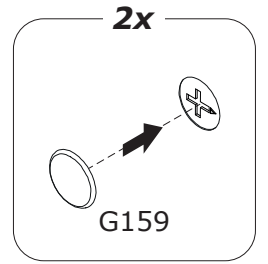
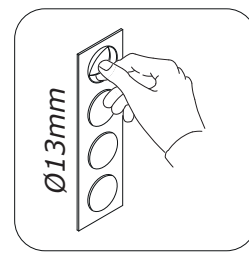
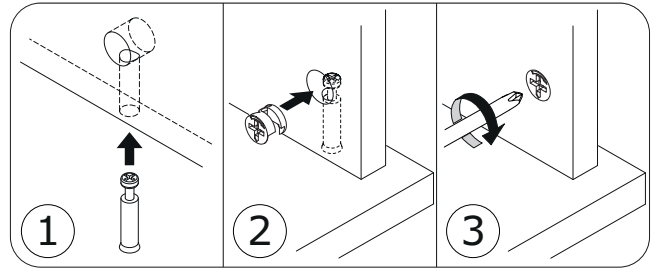
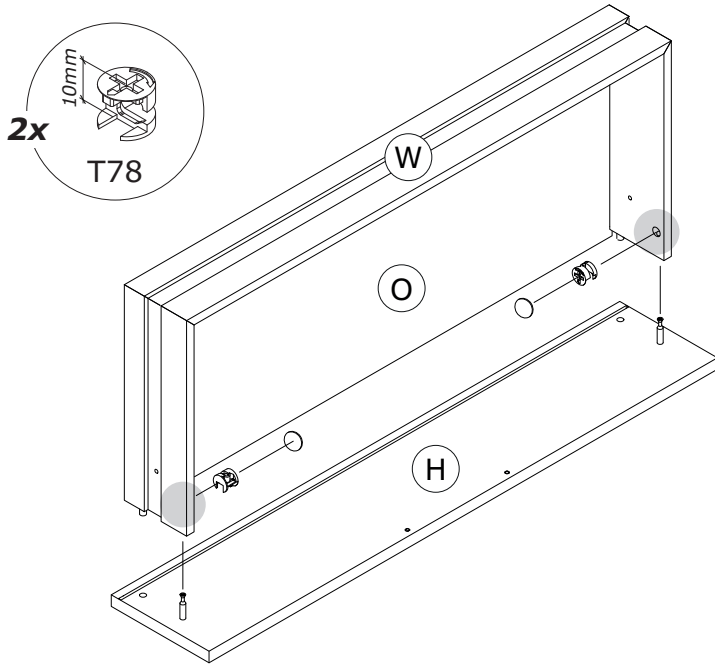


23

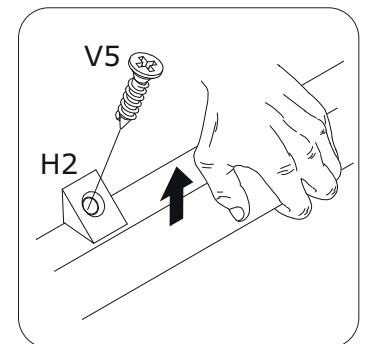
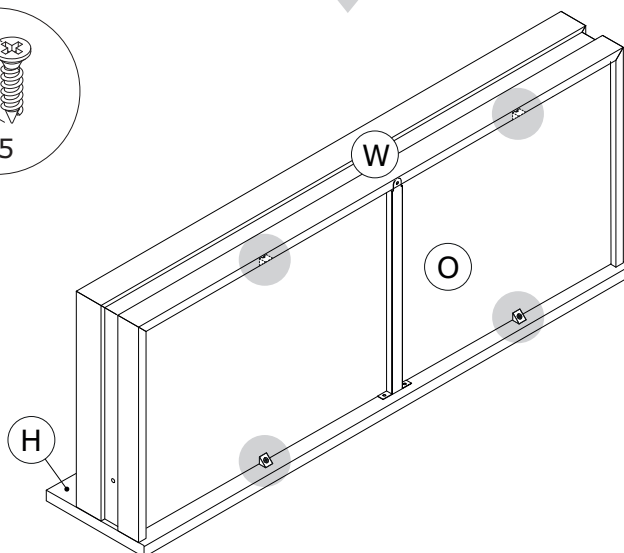
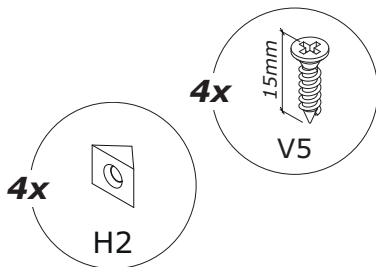
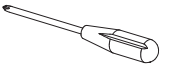
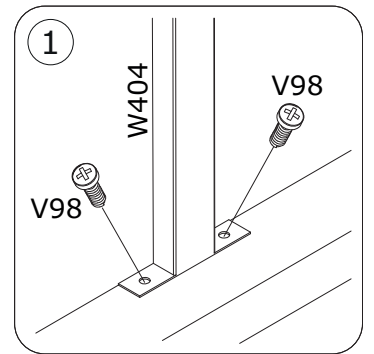
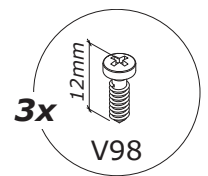
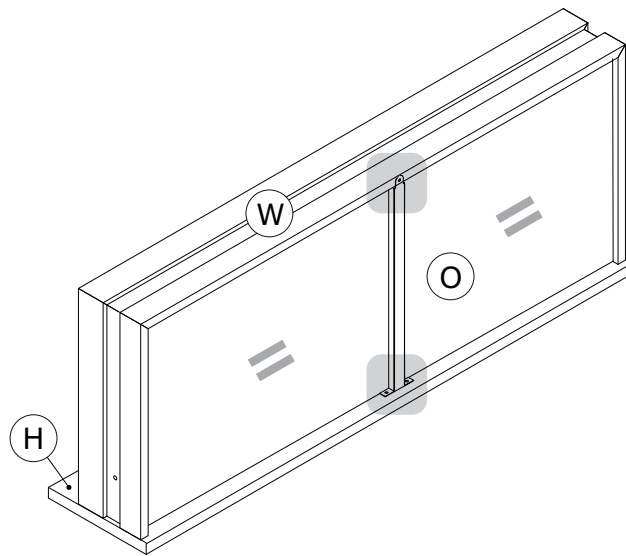
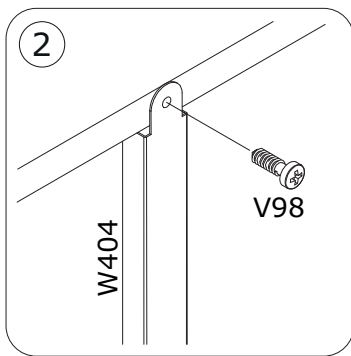




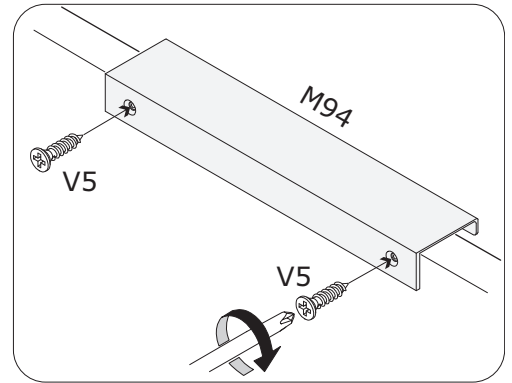
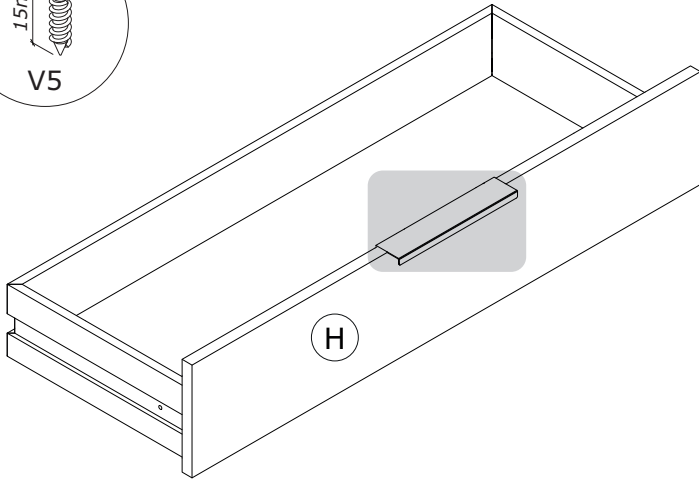
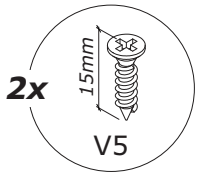
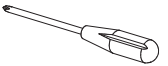
24



25



26



27

