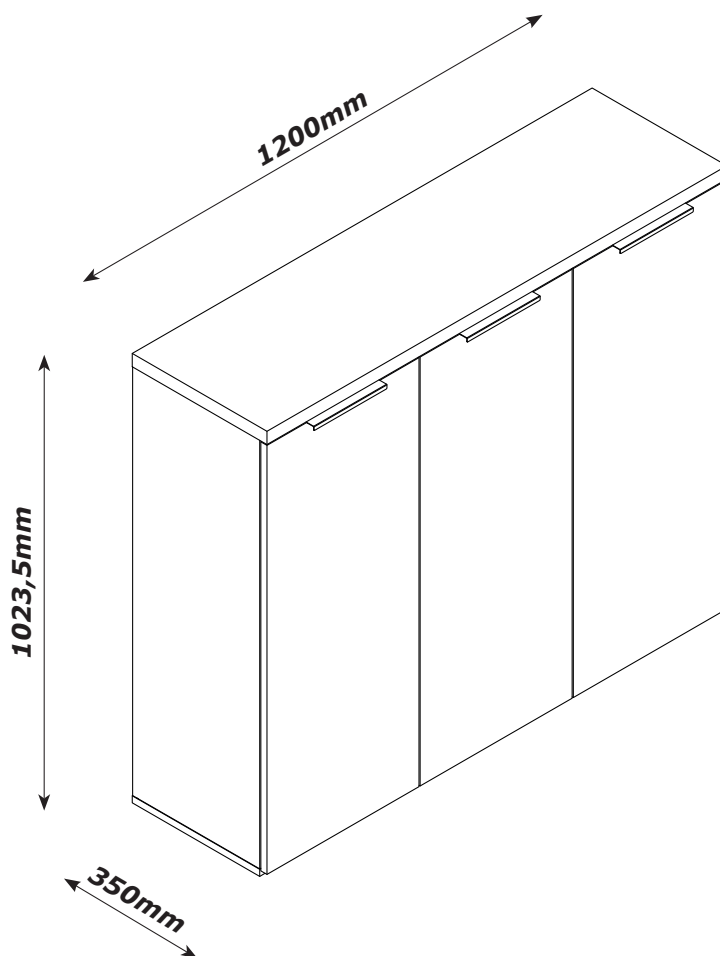


BS3508K76804



QF6050

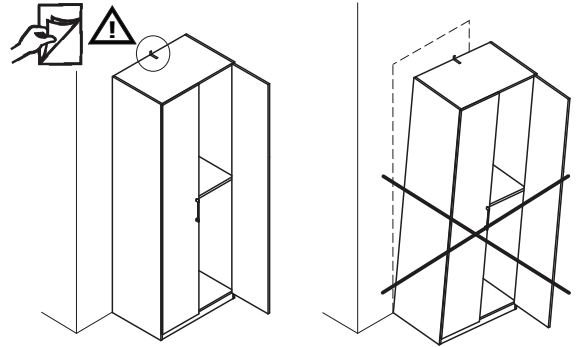
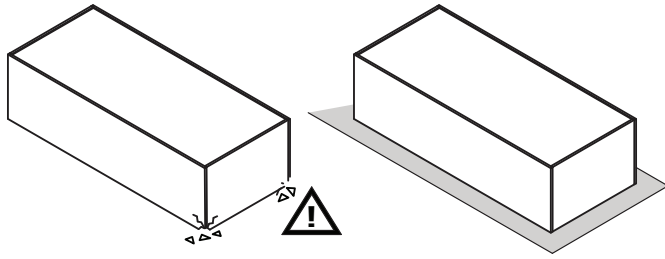
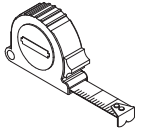
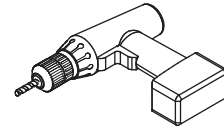
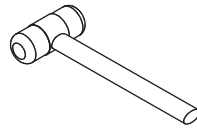
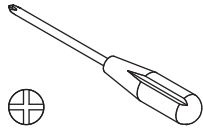


MADE IN ITALY

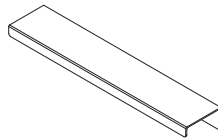
Produced by COMPOSAD srl, Via Lombardia 29, 46019 Viadana (MN) ITALY



2,5h



BU5151

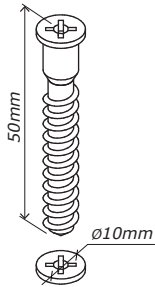


M94
x3

BU5149



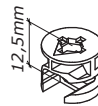
H325
x12



V45
x6



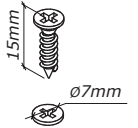
T28
x6



T7
x6



H54
x6



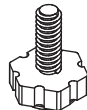
V5
x25



H2
x14



T134
x6



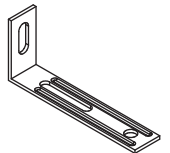
P39
x6



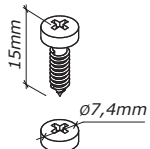
H113
x4



H289
x5



H185
x2



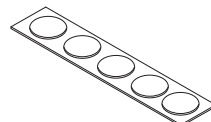
V81
x4



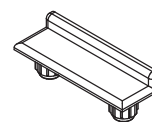
H129
x4



R40
x32

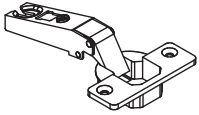


G163
x6

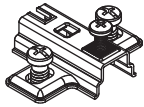


H114
x1

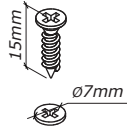
BU2776



C66
x4

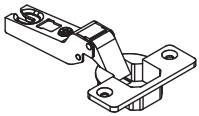


B23
x4

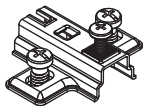


V5
x8

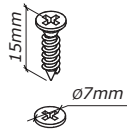
BU4731



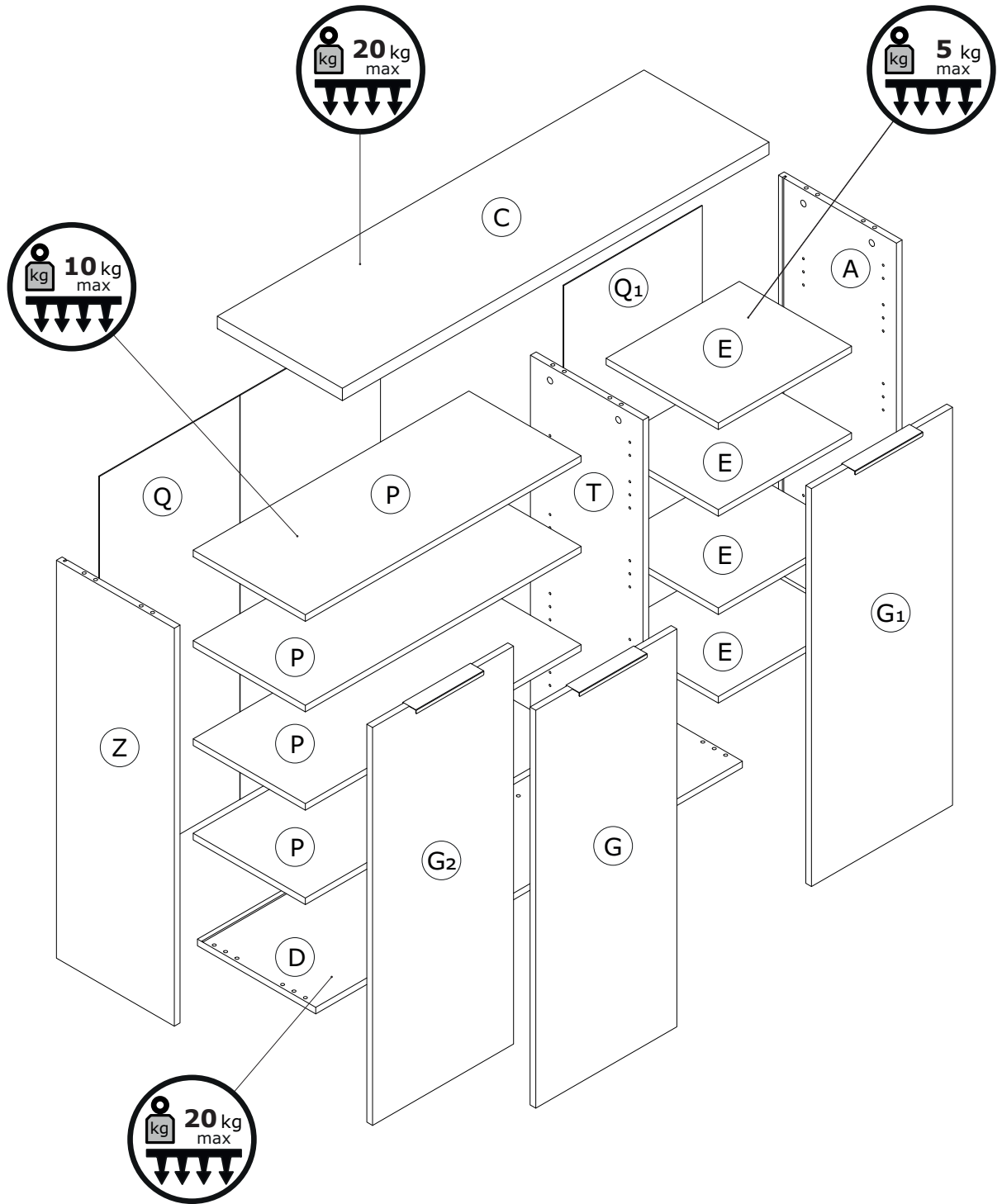
C56
x2



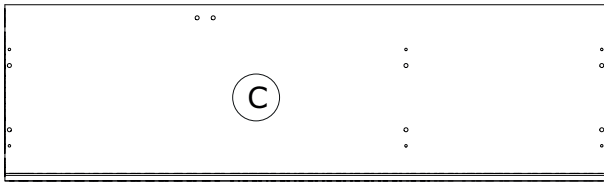
B23
x2



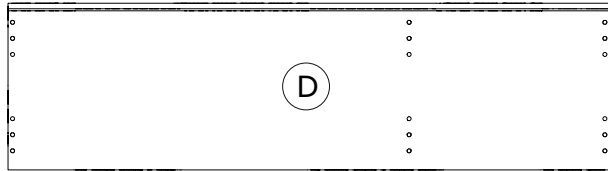
V5
x4



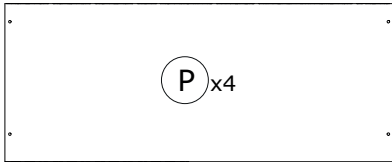
BOX 1/2



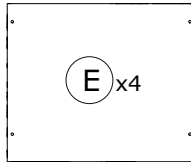
CA3999
1198x351x30mm



BA2451
1198x332x16mm

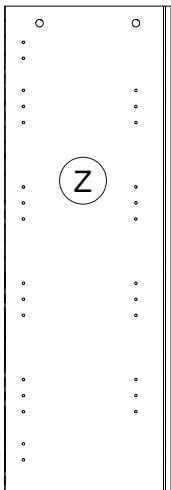


PI7690
774x315x16mm

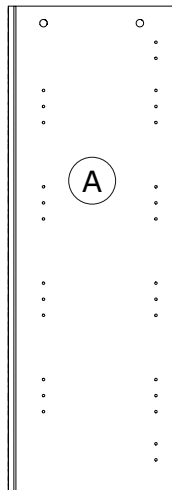


PI7691
374x315x16mm

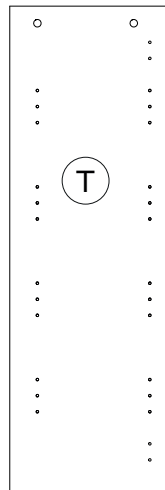
BOX 2/2



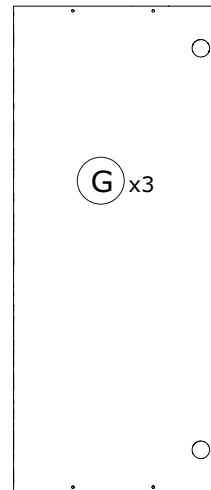
FI9526
968x331x16mm



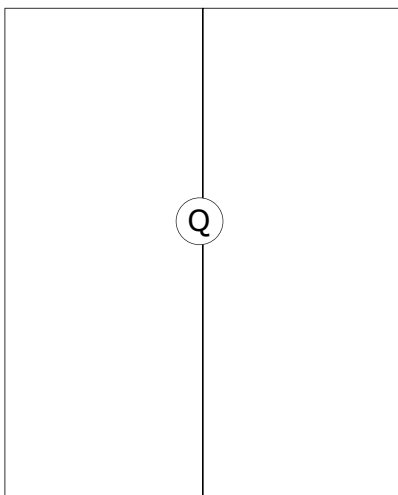
FI9528
968x331x16mm



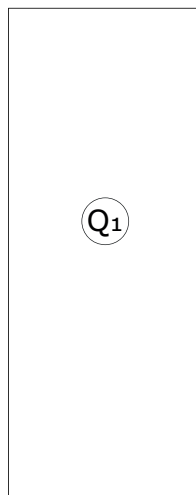
TR2566
968x316x16mm



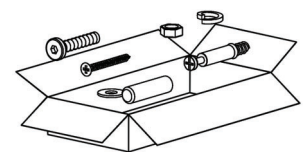
AN3338
968x396x16mm



SH3895
983x789x2mm

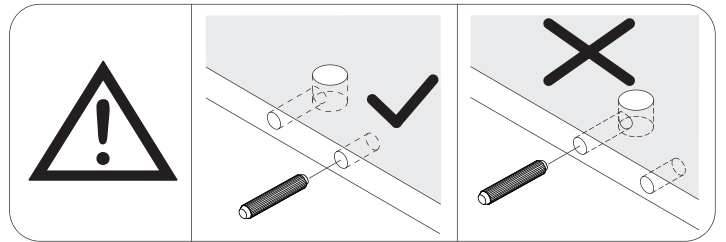
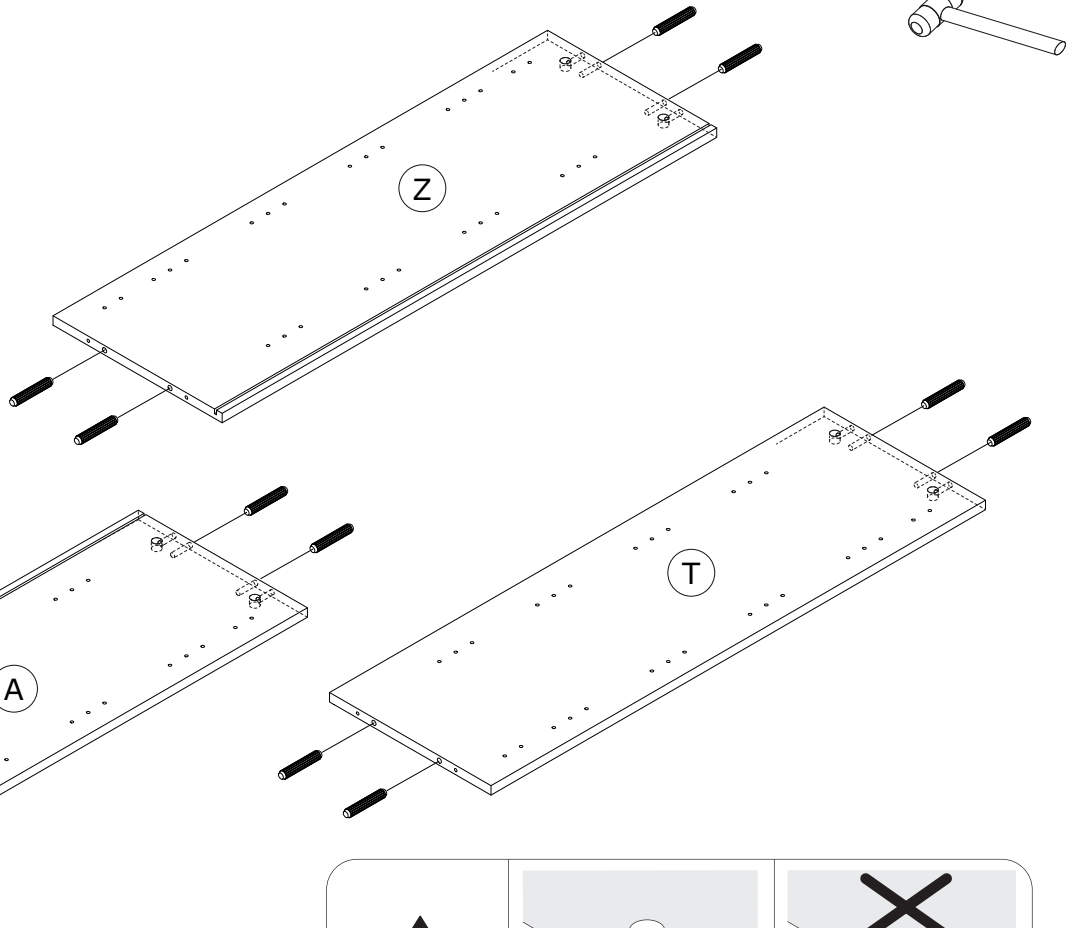
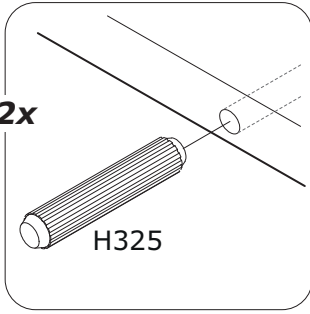


SH3896
983x389x2mm



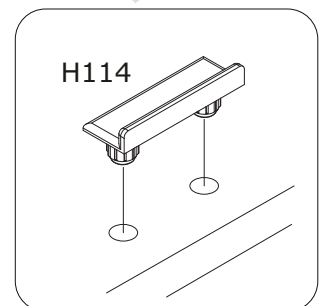
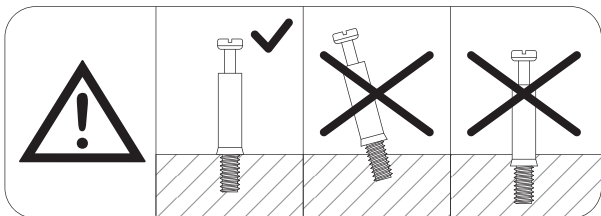
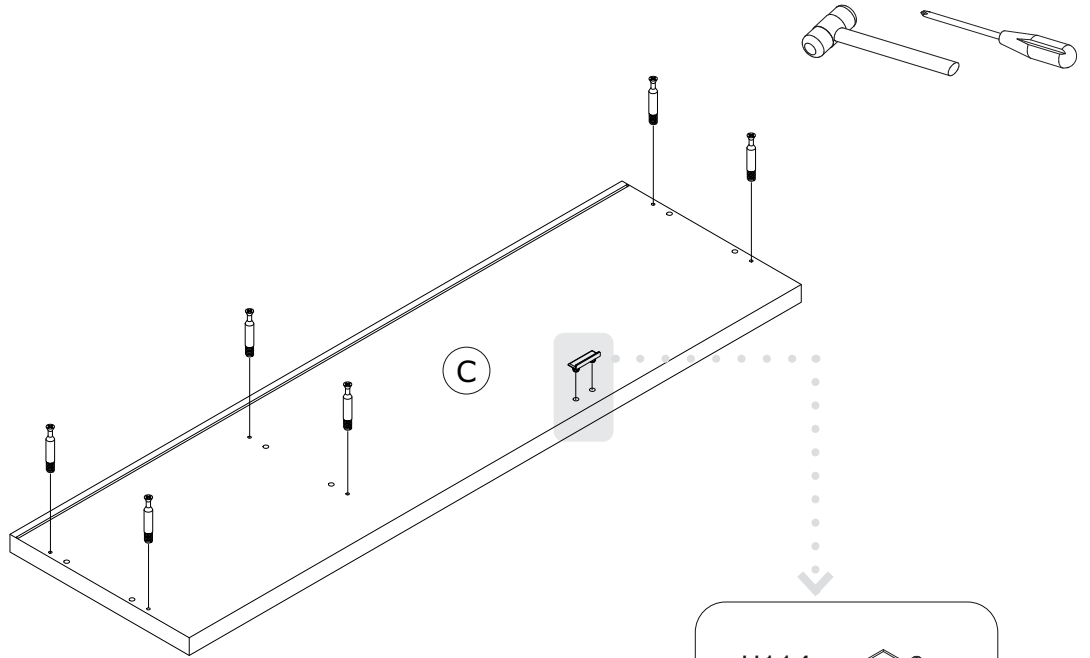
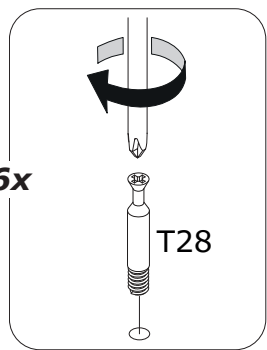
1

12x

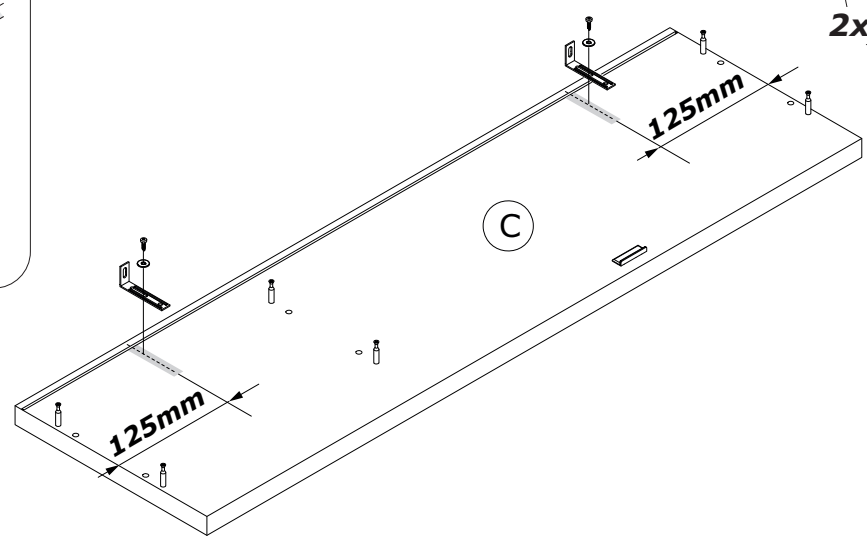
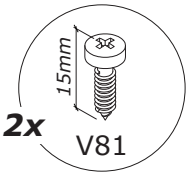
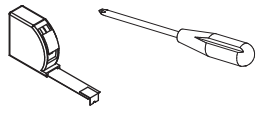
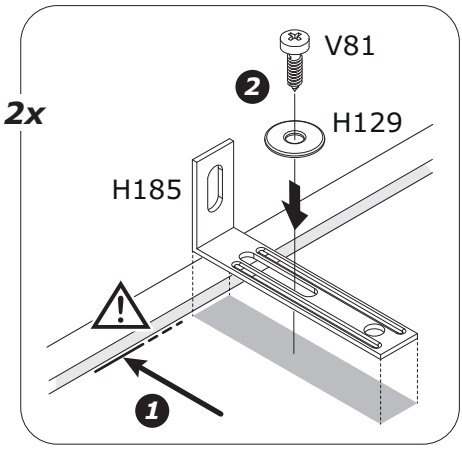


2

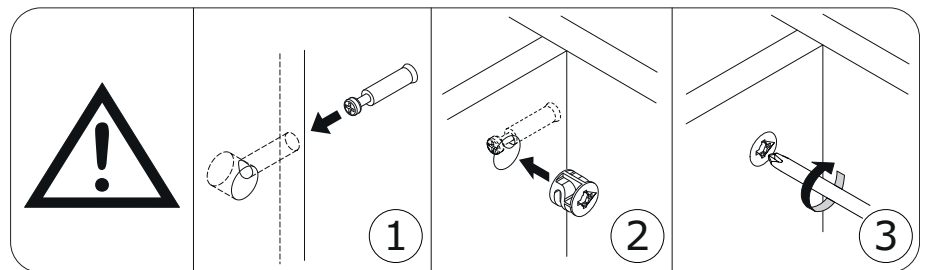
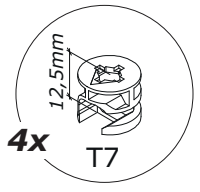
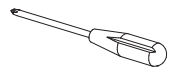
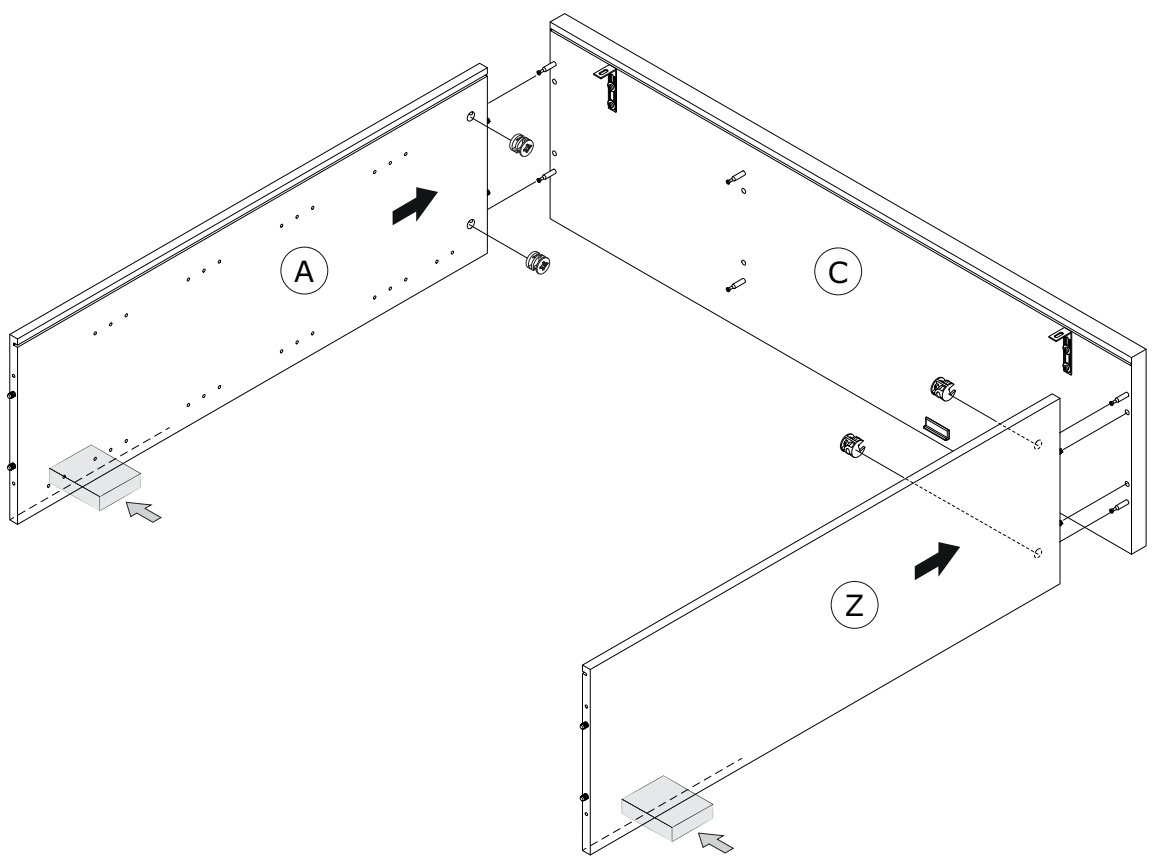
6x



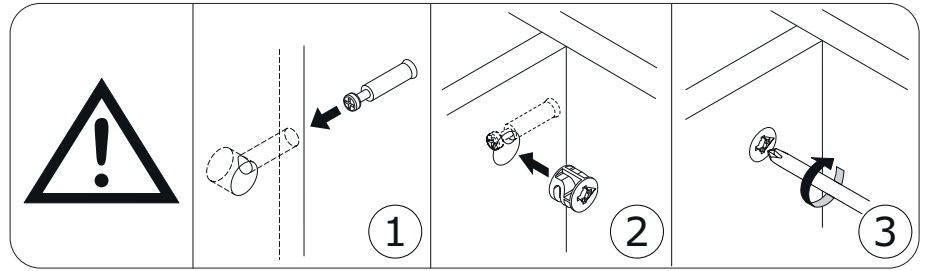
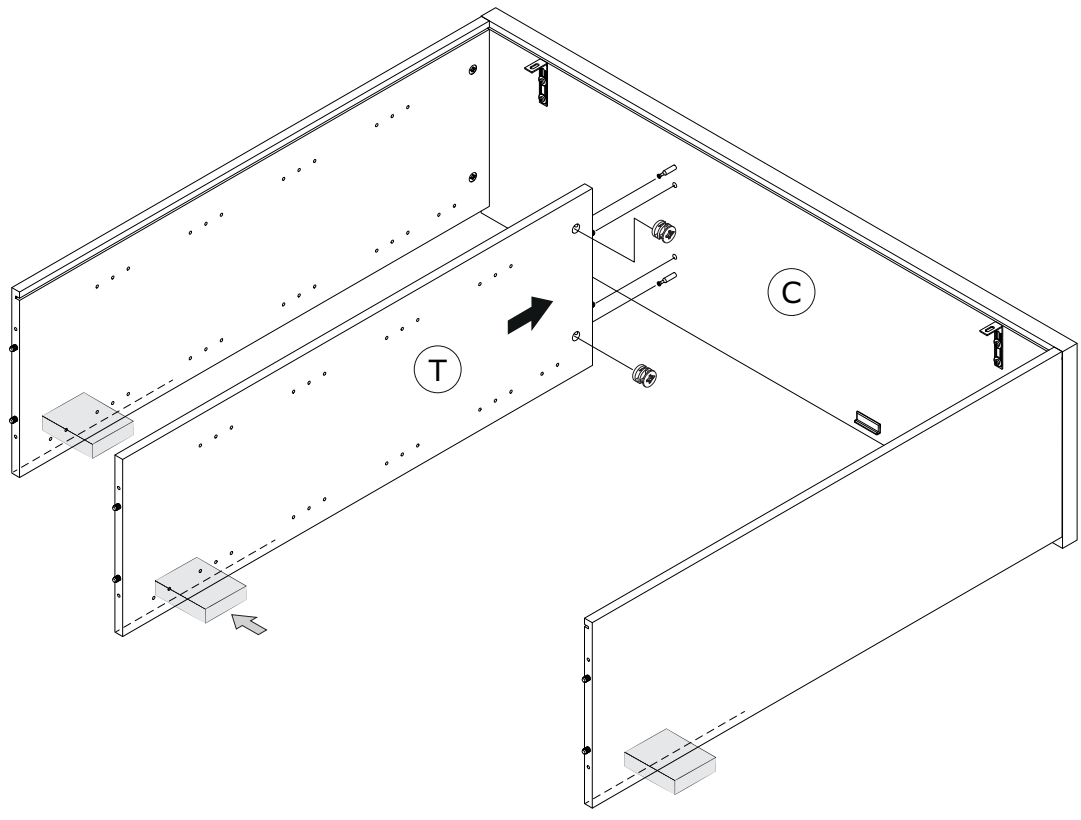
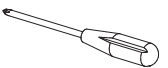
3



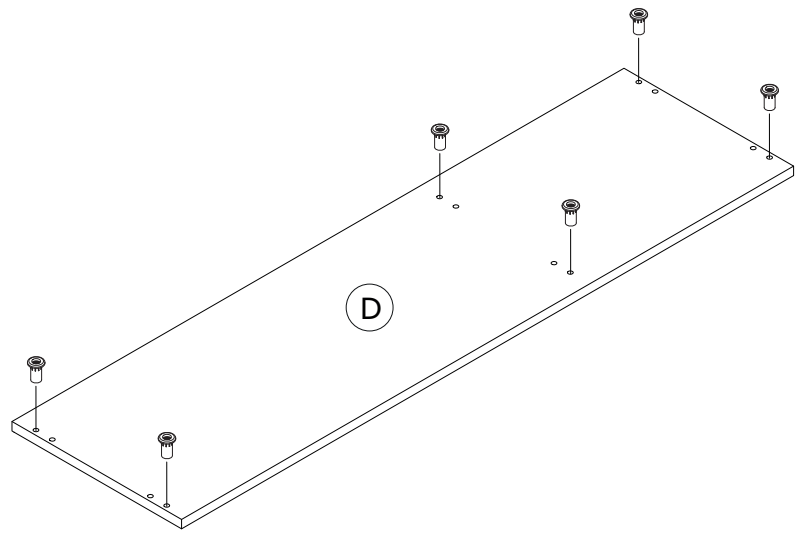
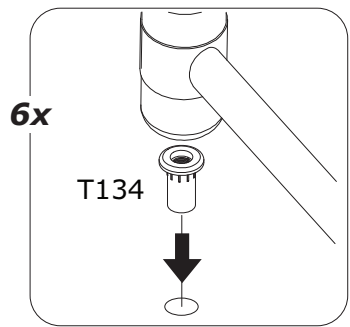
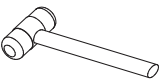
4



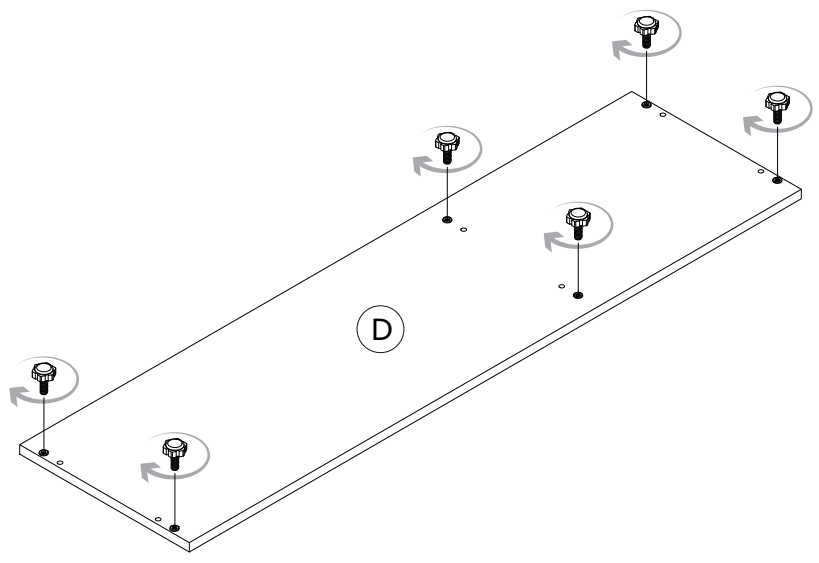
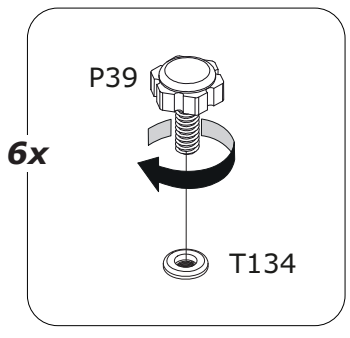
5



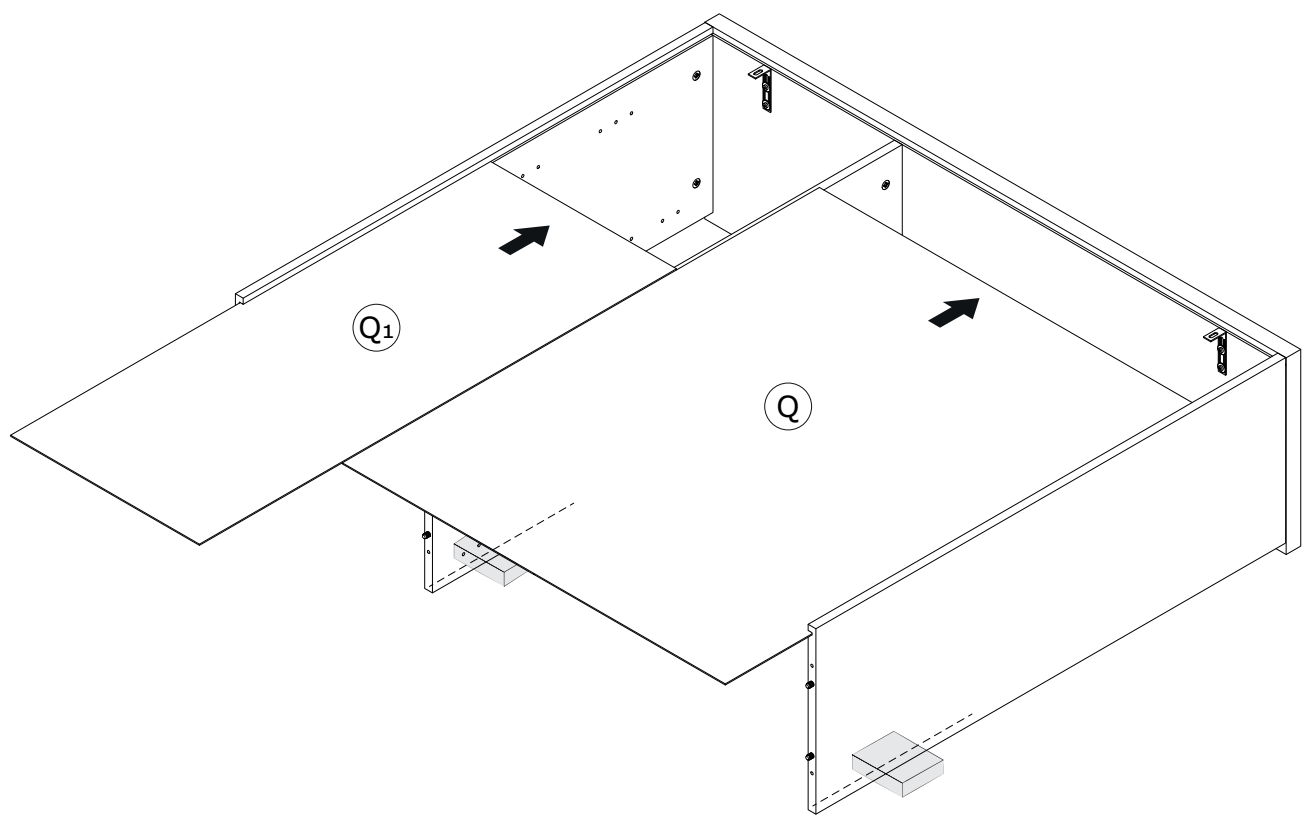
6



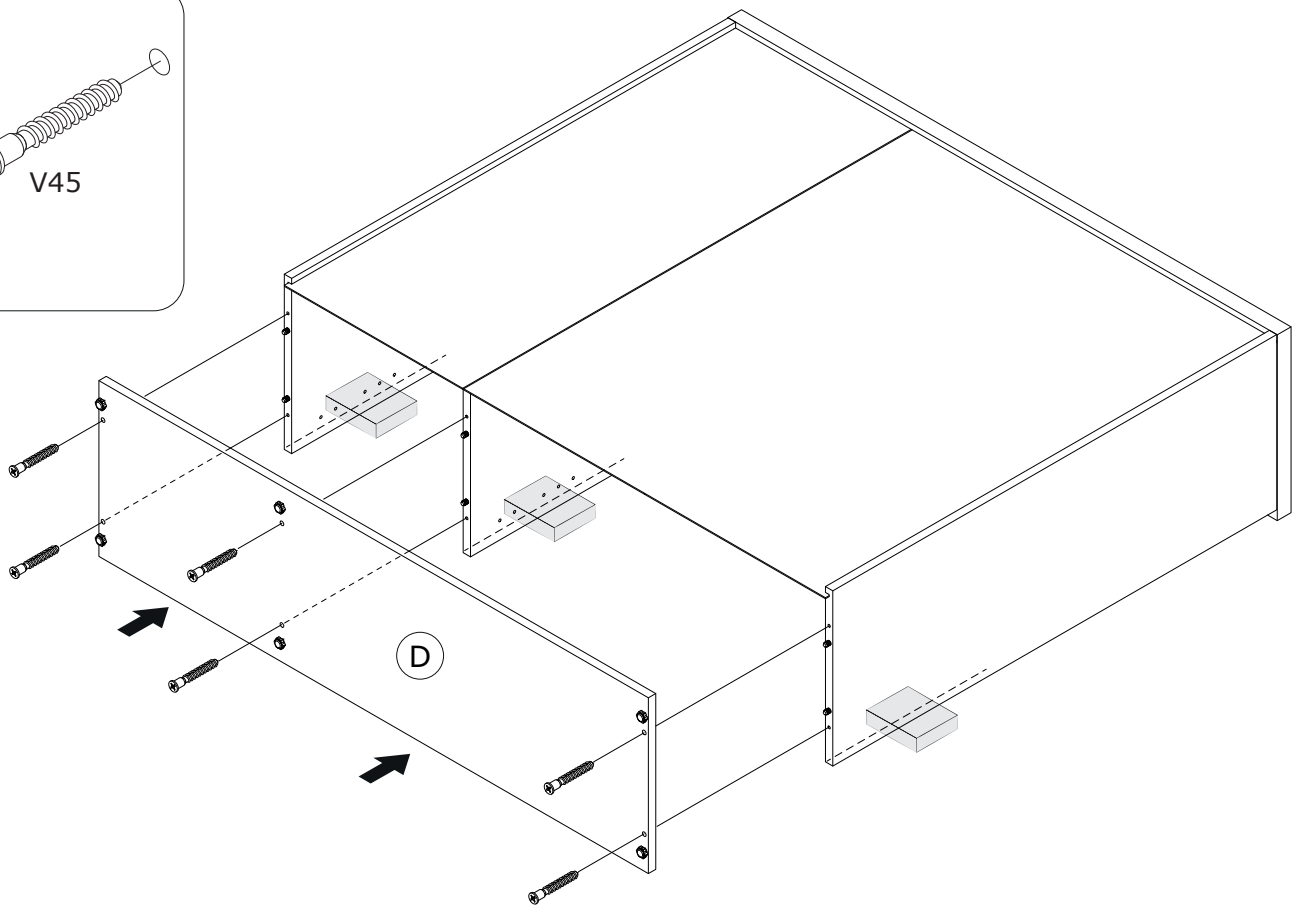
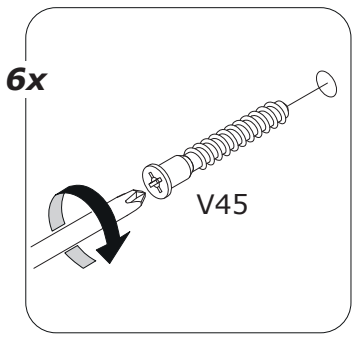
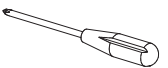
7



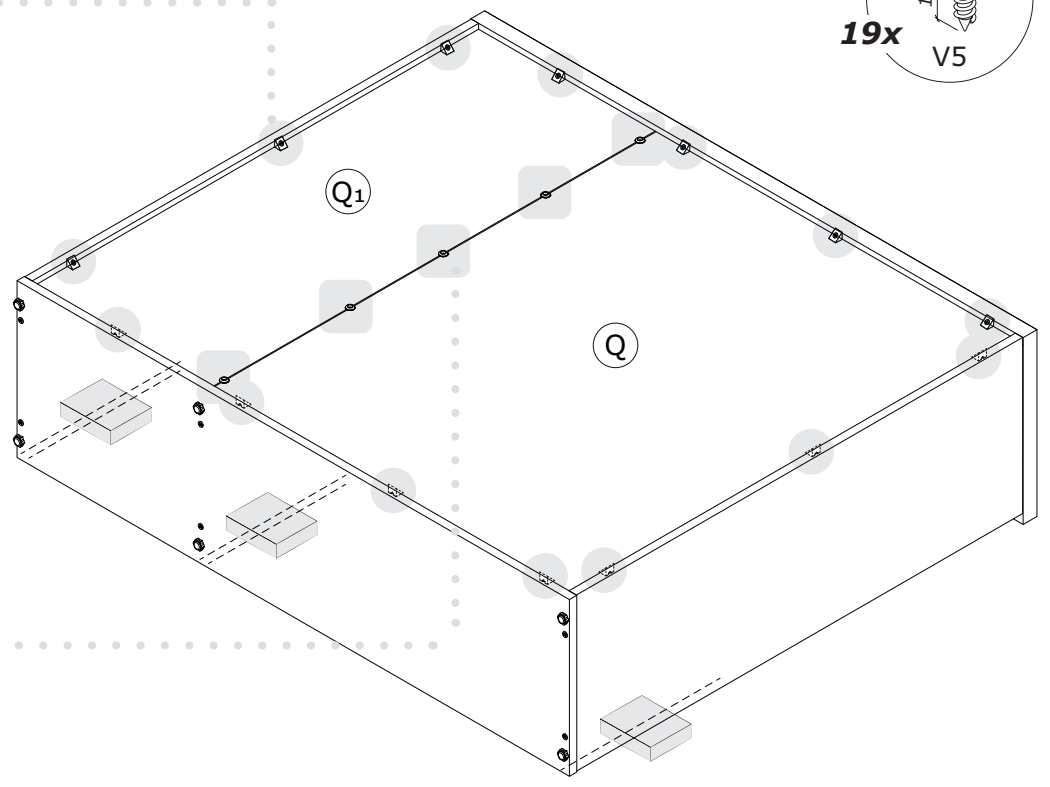
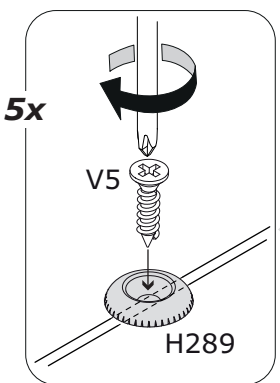
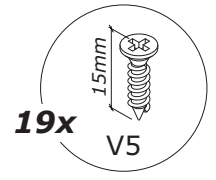
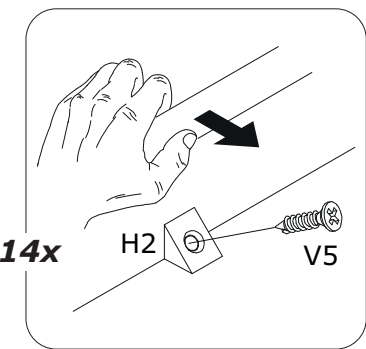
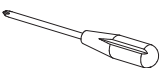
8



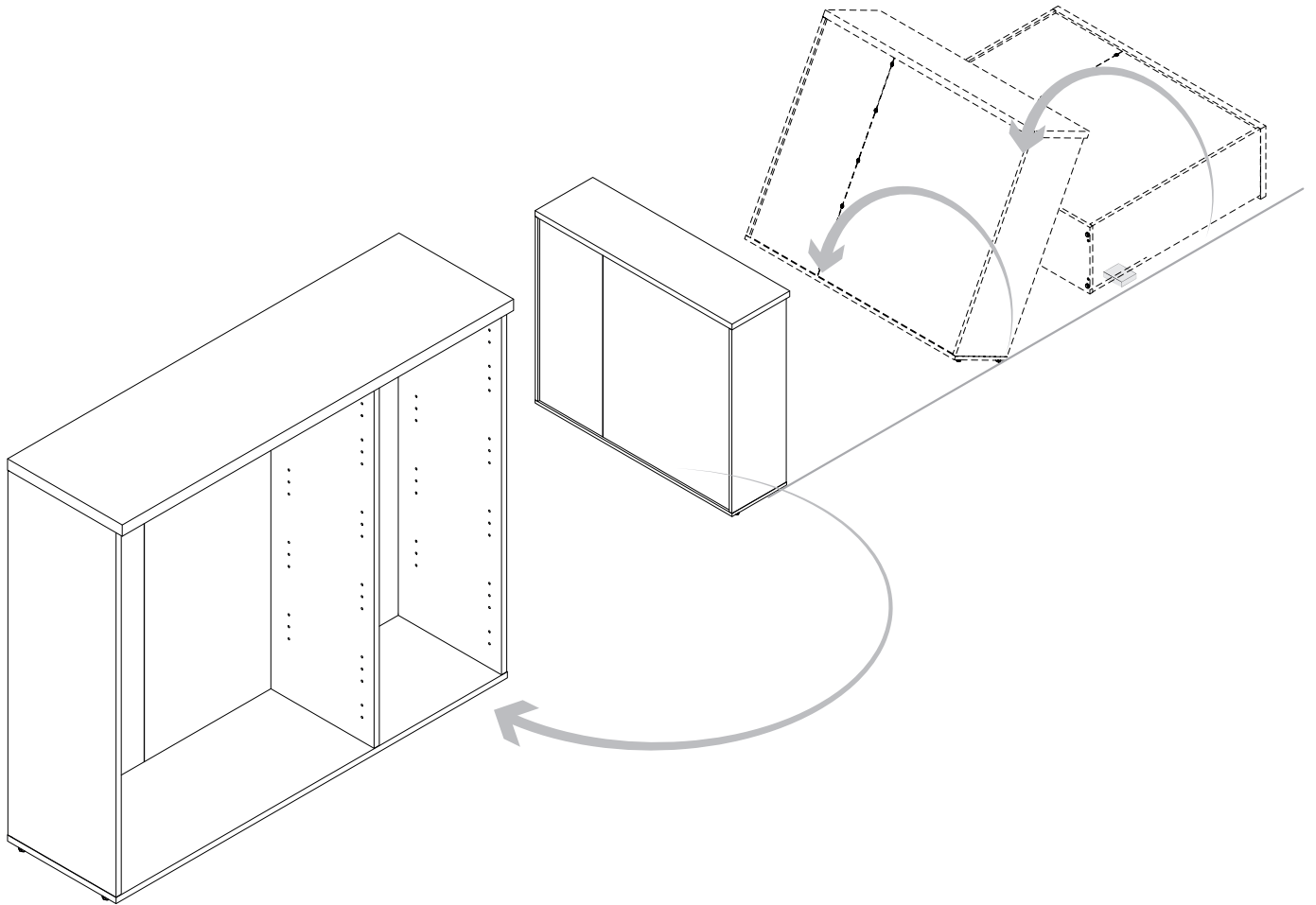
9



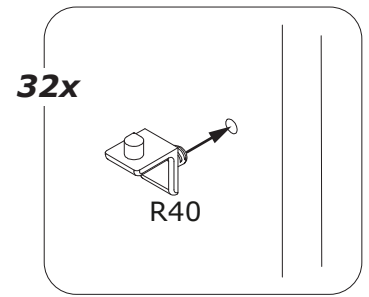
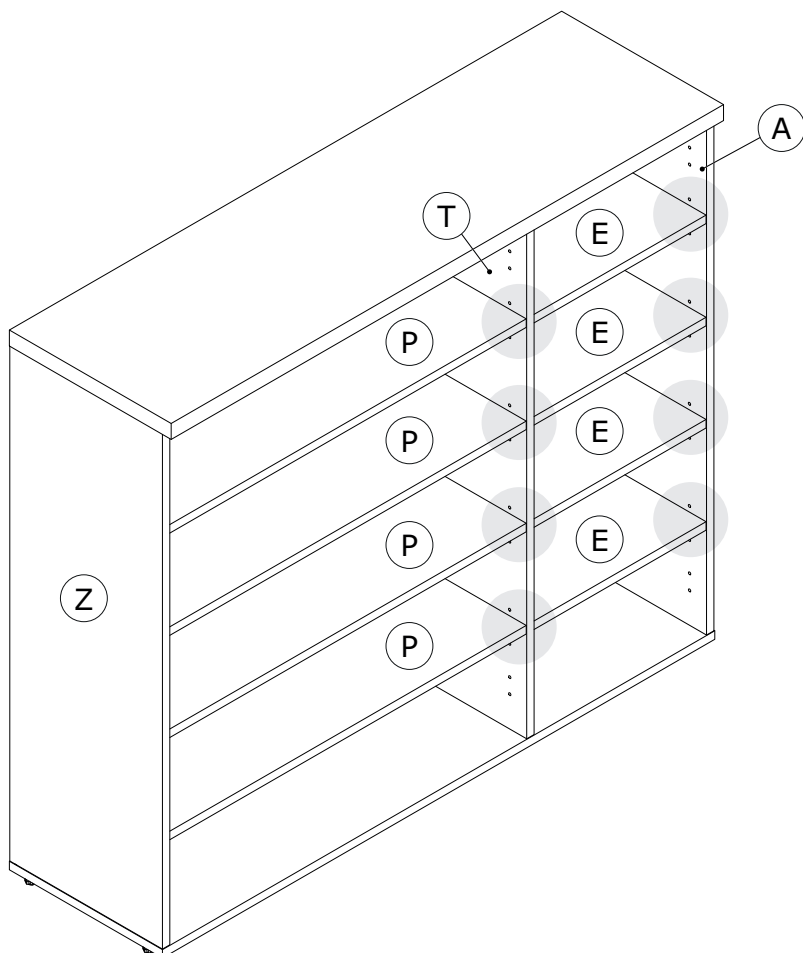
10



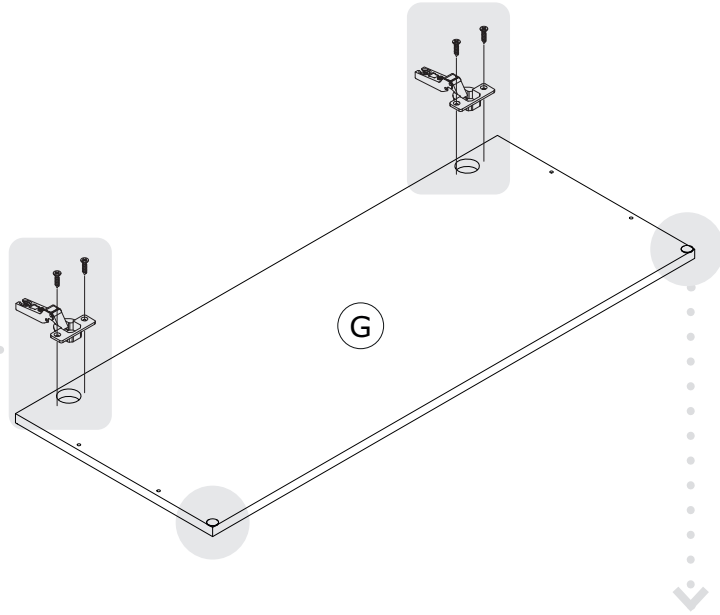
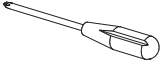
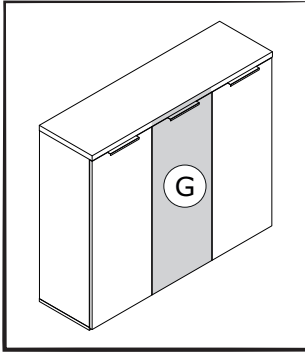
11



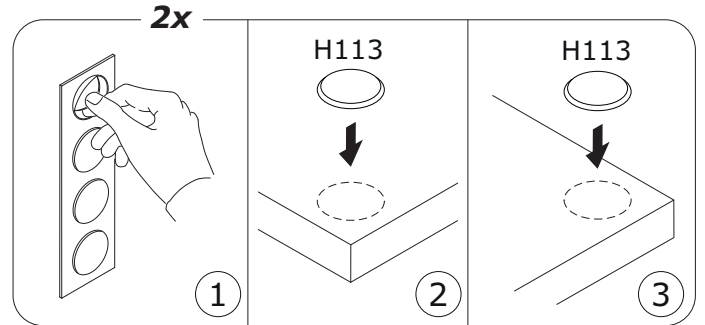
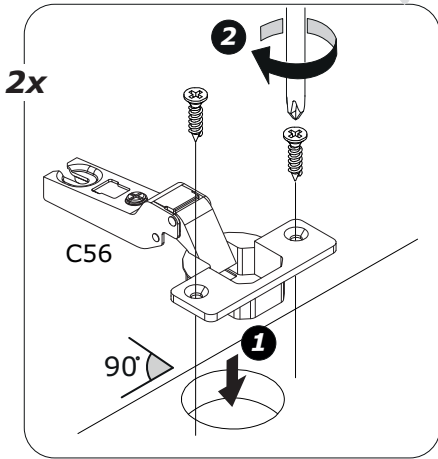
12



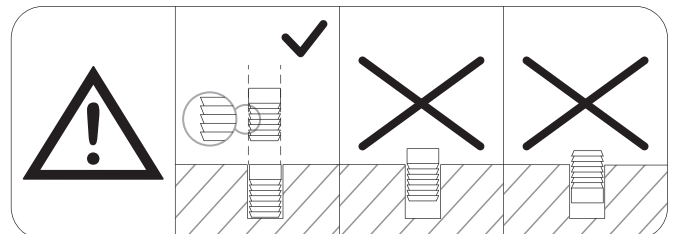
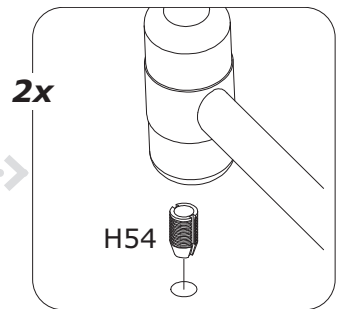
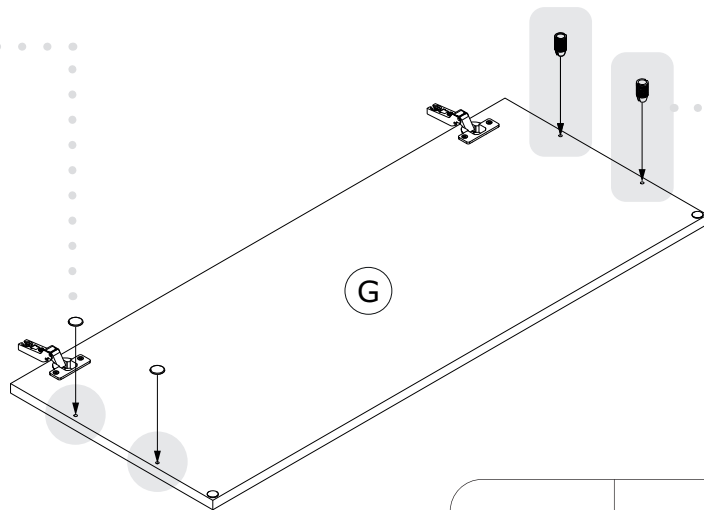
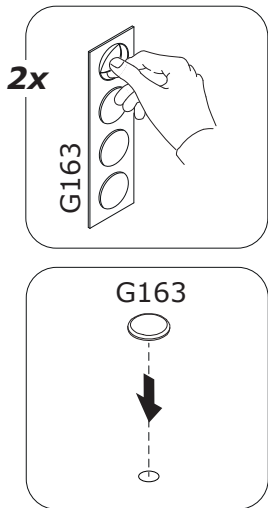
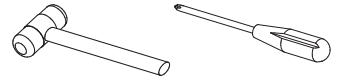
13



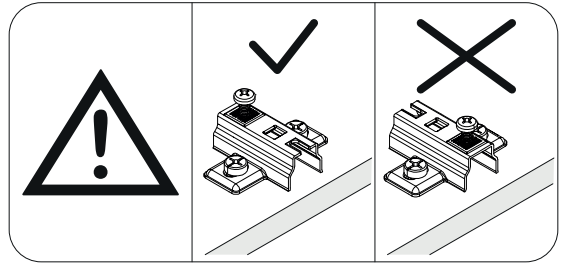
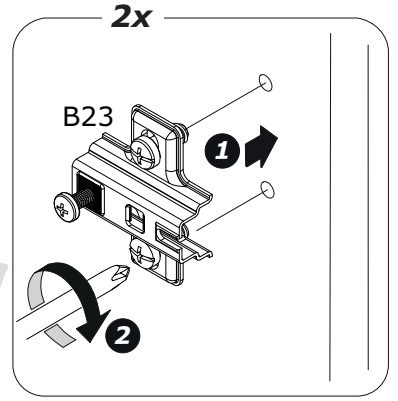
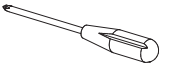
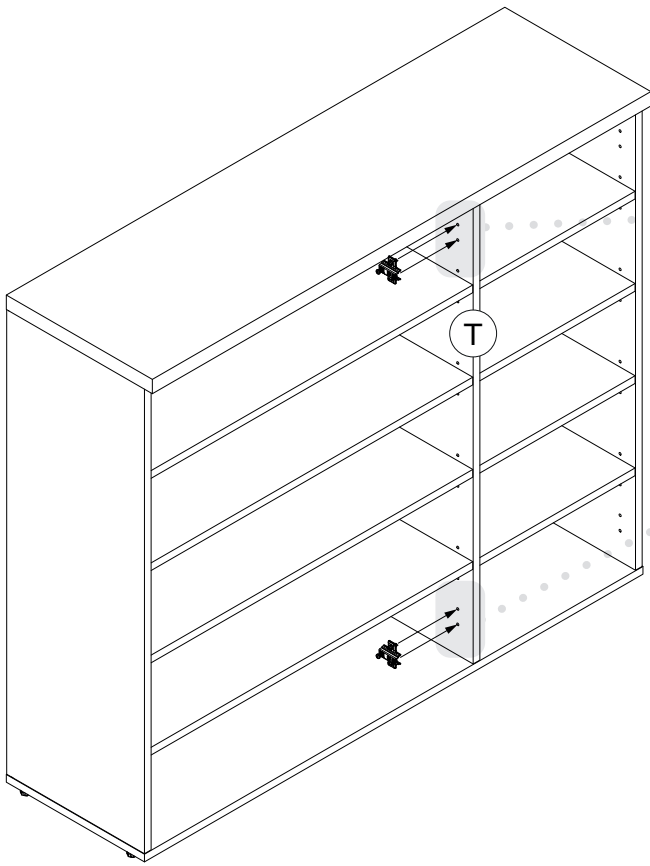
! BU4731



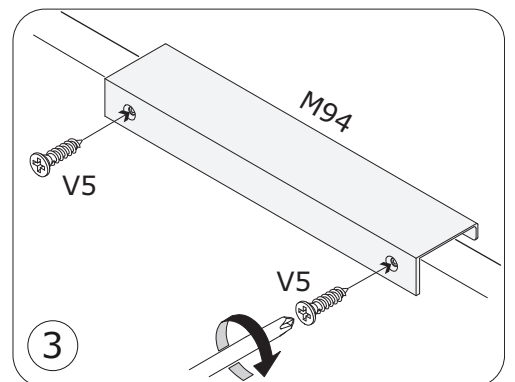
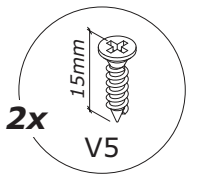
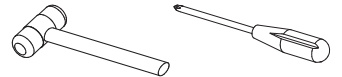
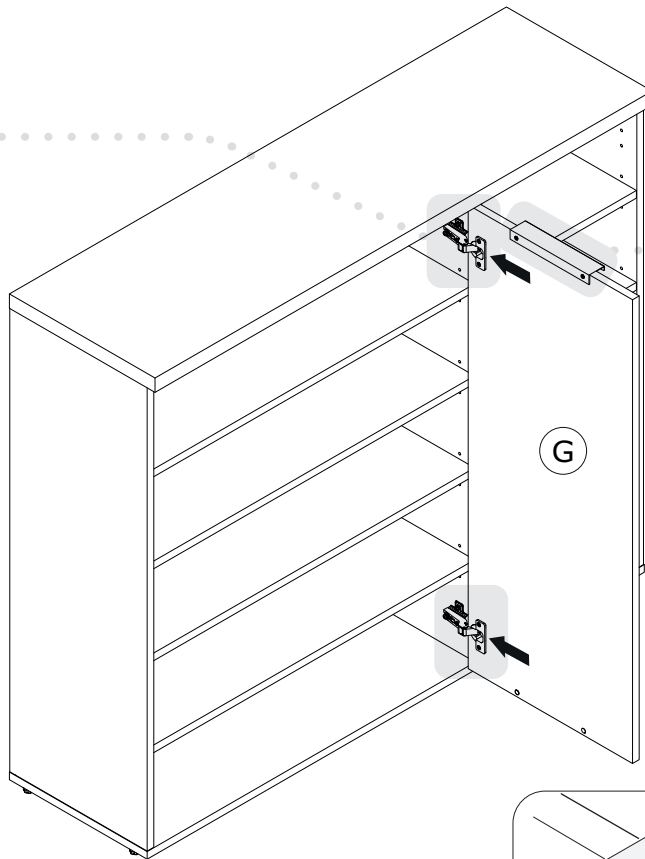
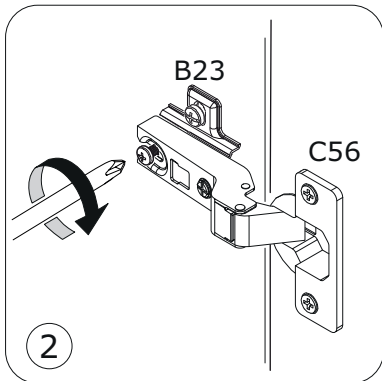
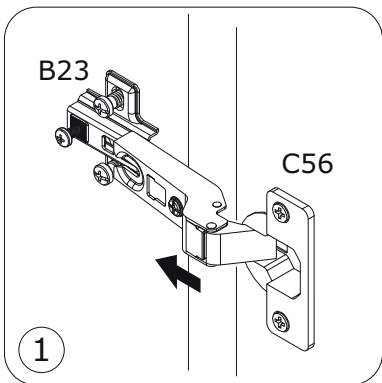
14



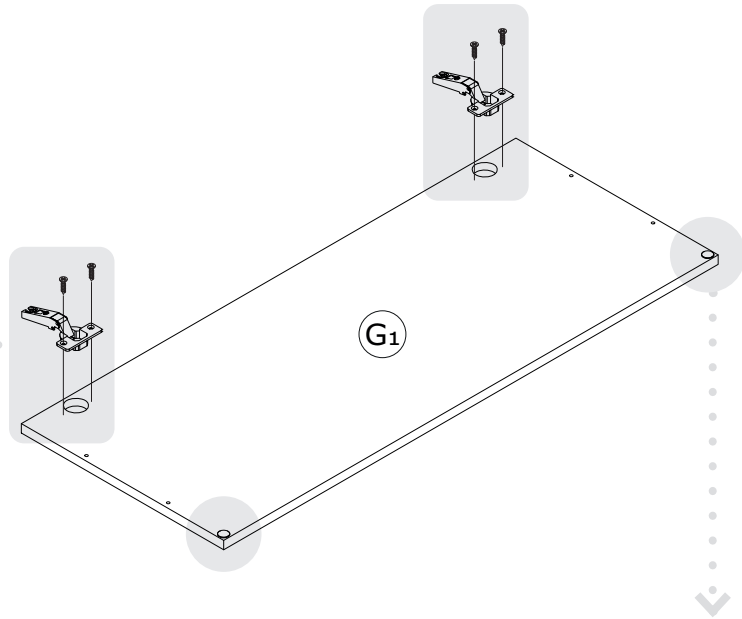
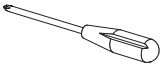
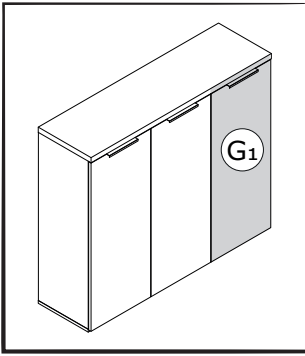
15



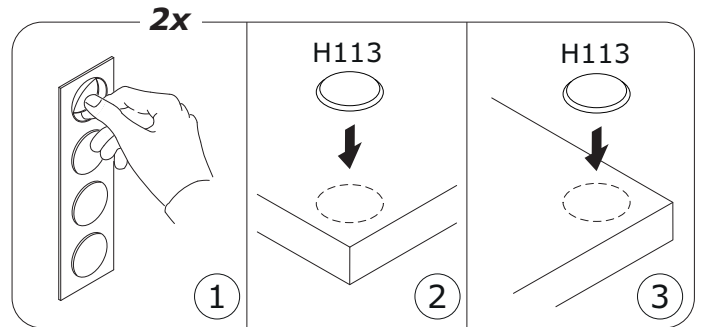
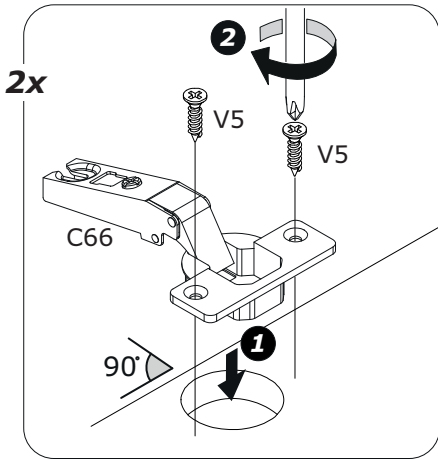
16



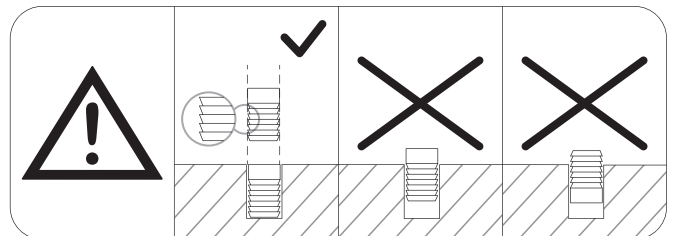
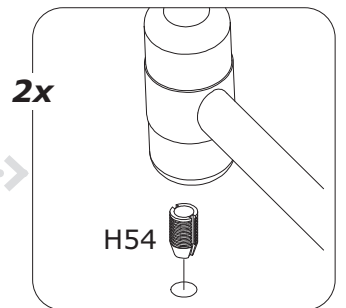
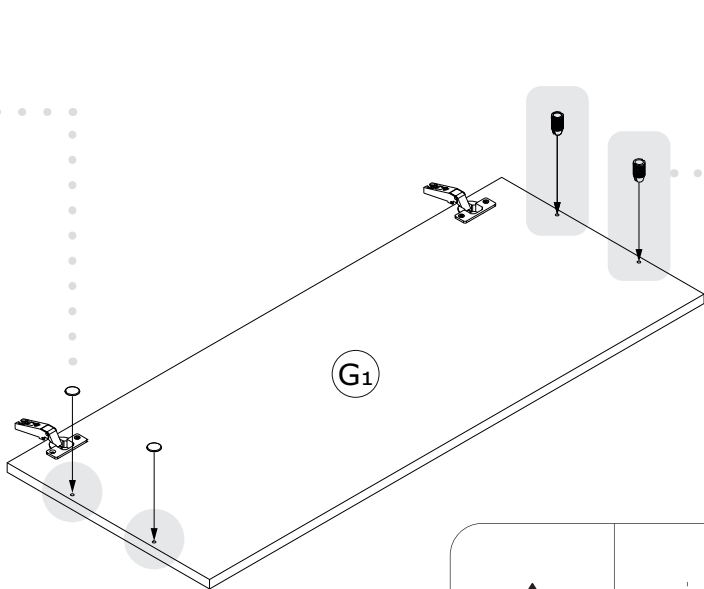
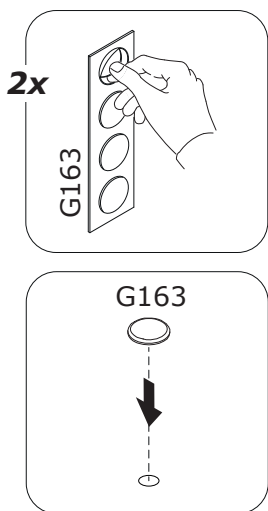
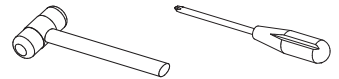
17



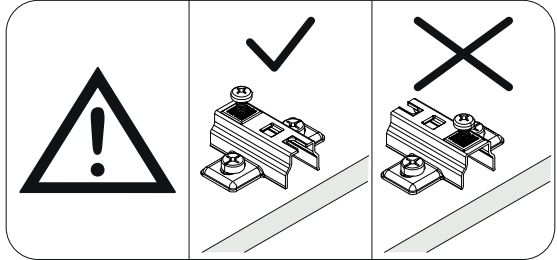
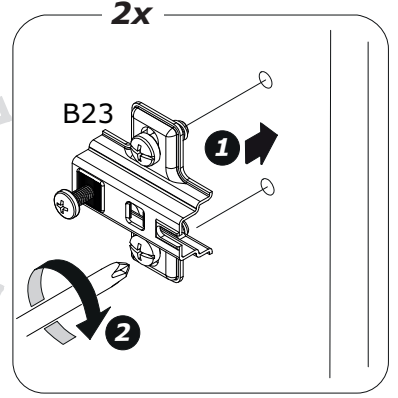
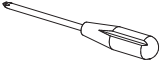
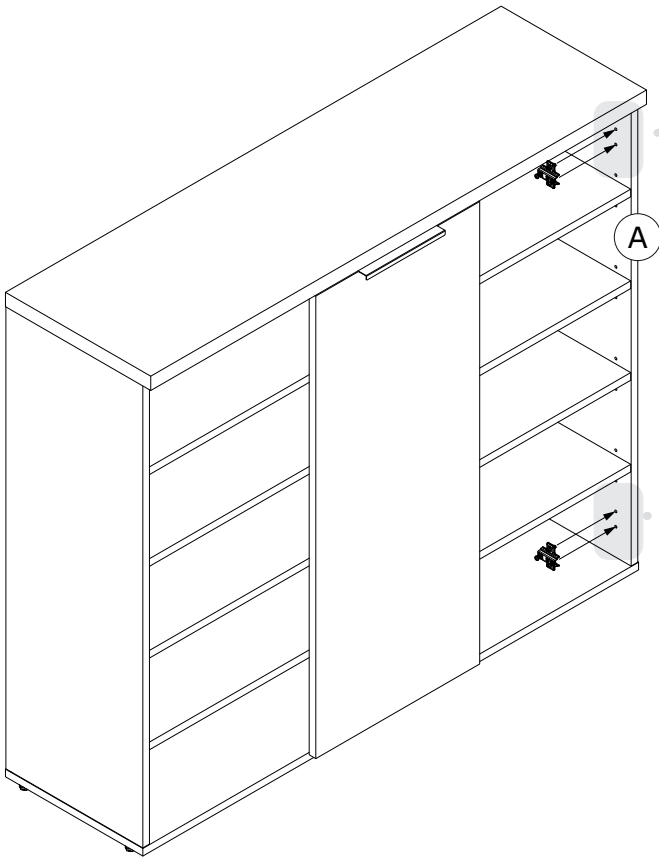
! BU2776



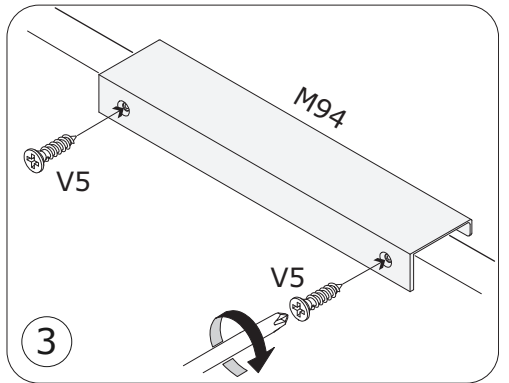
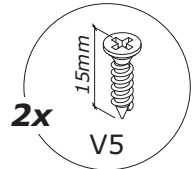
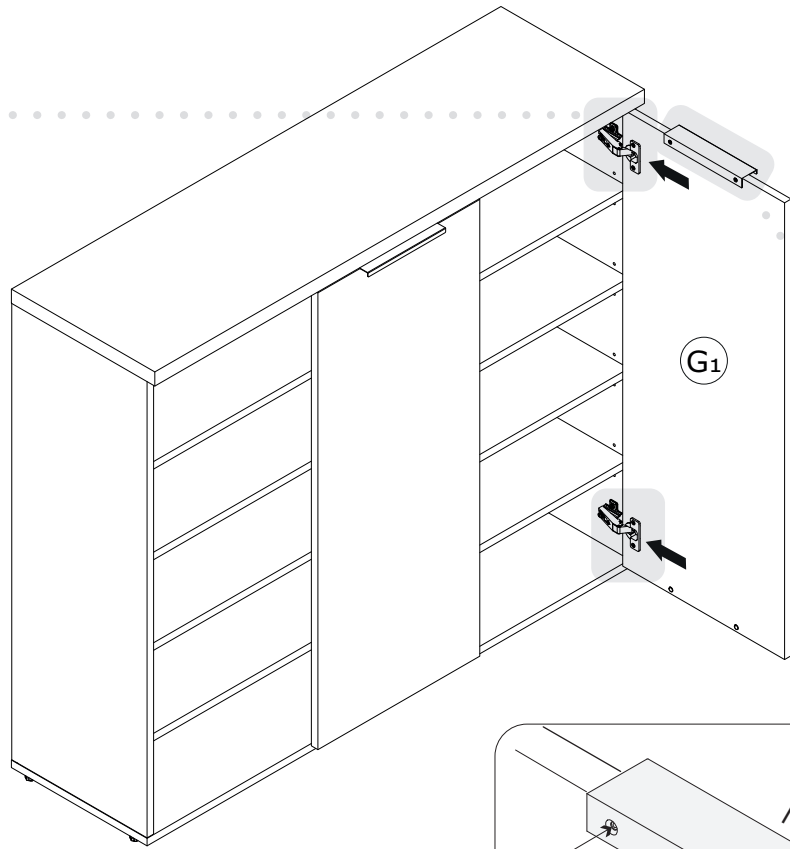
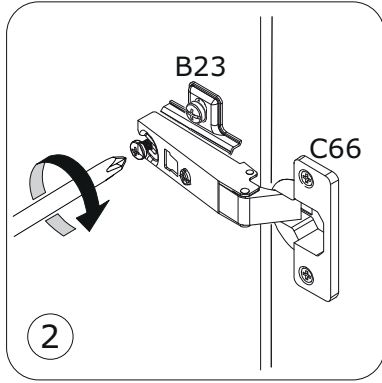
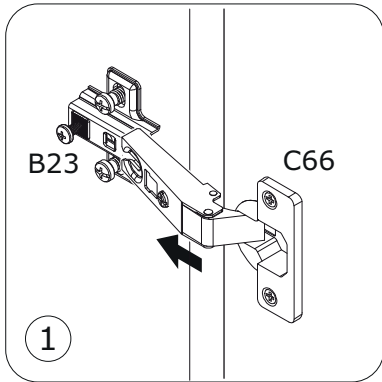
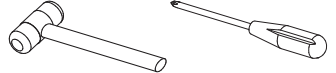
18



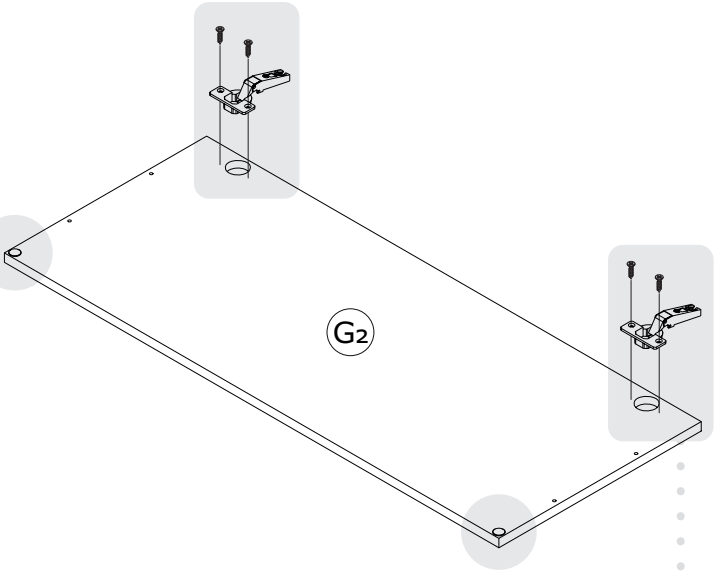
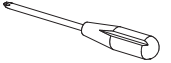
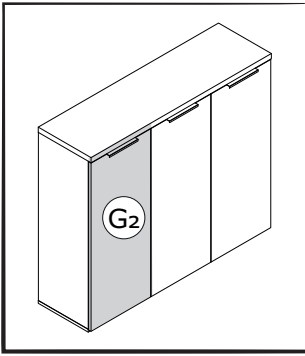
19



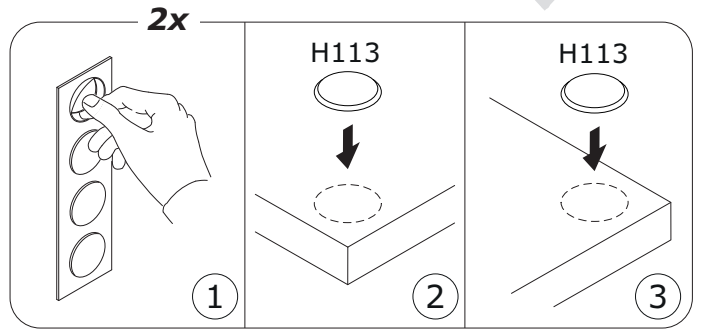
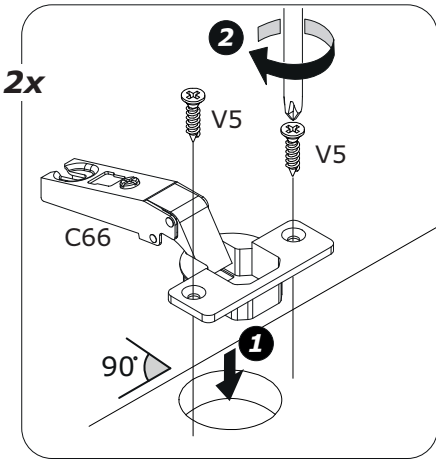
20



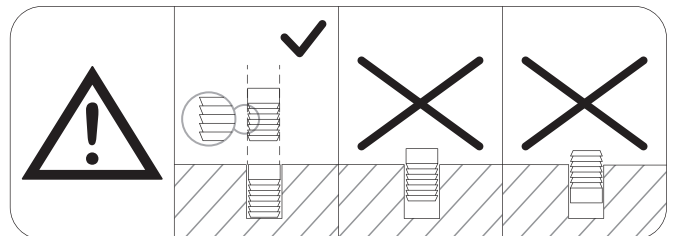
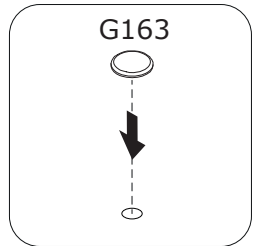
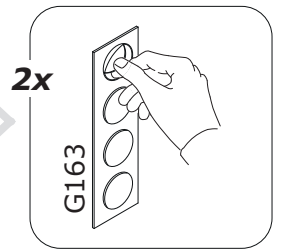
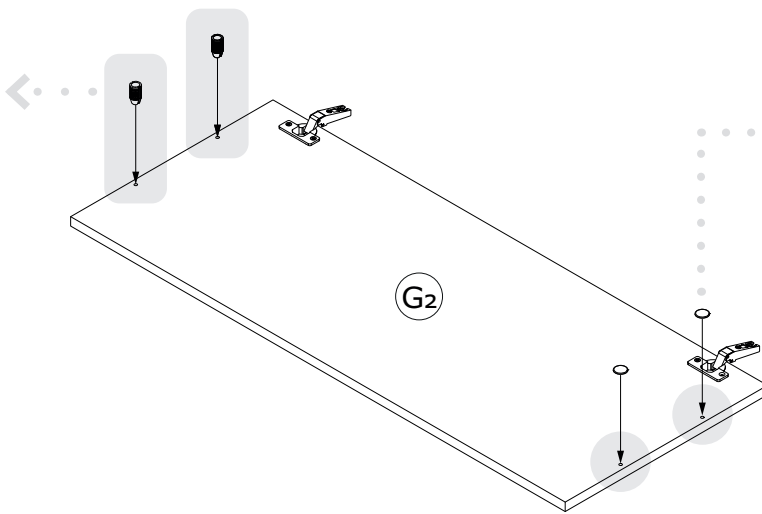
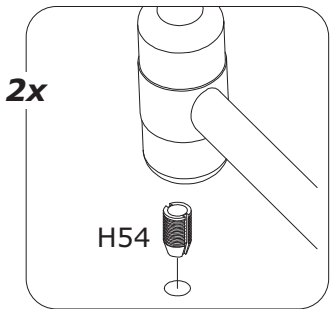
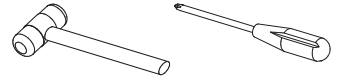
21



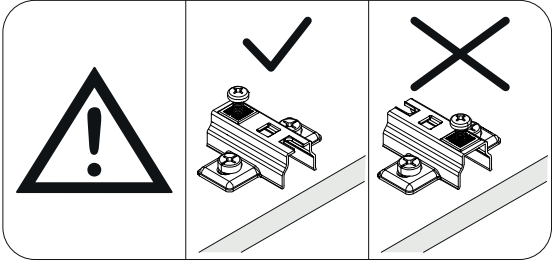
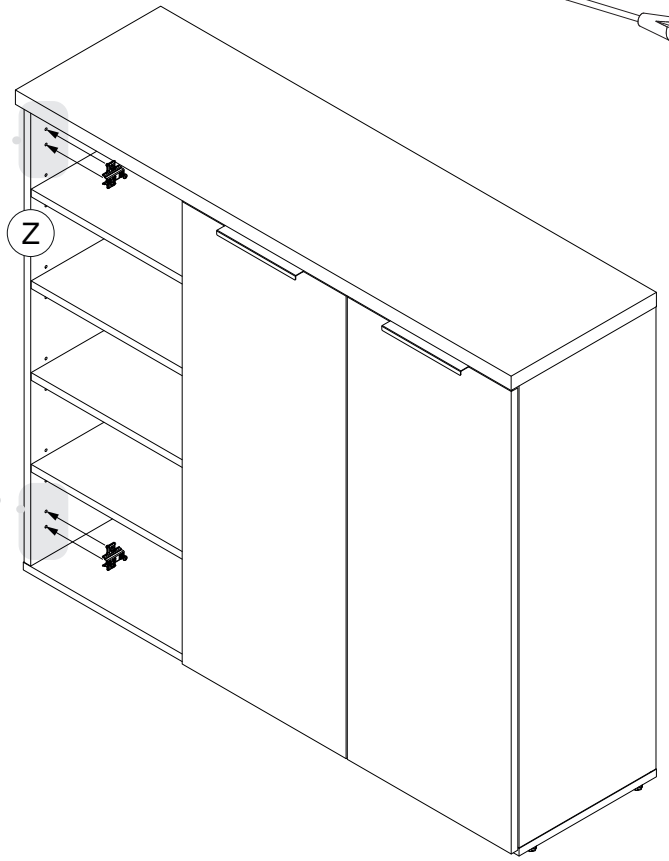
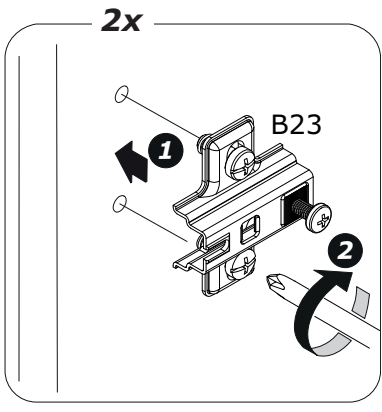
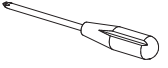
! BU2776



22



23



24

