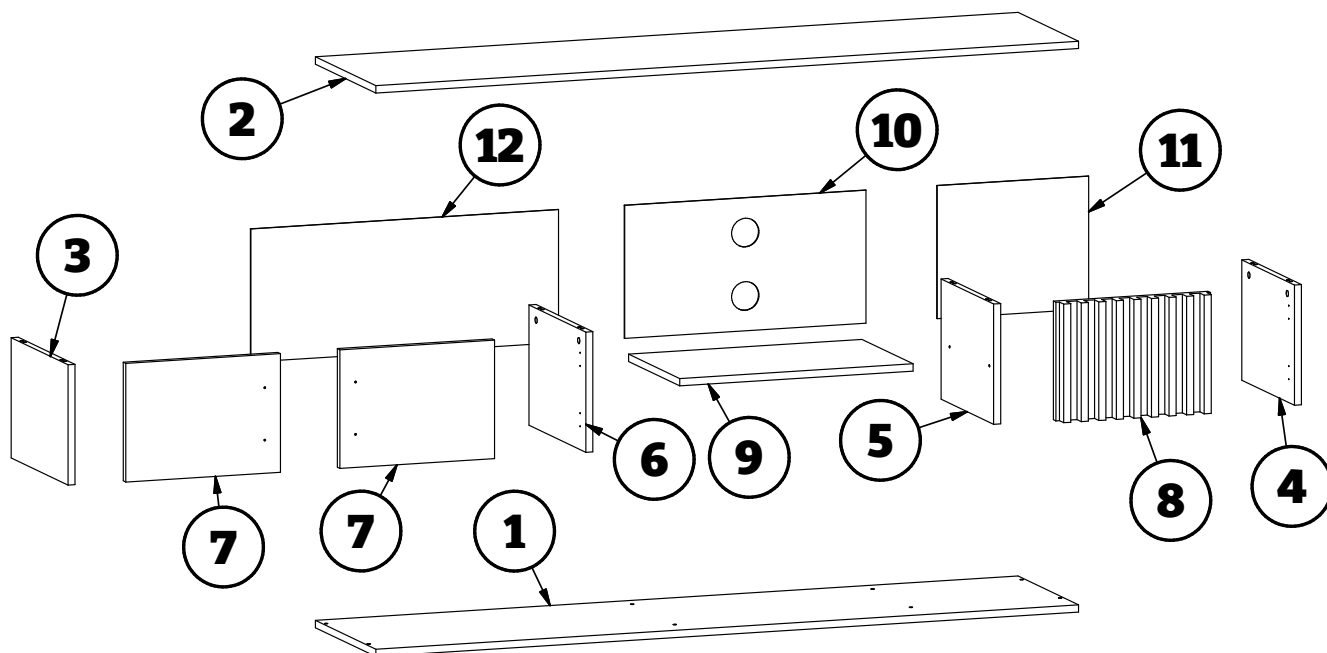
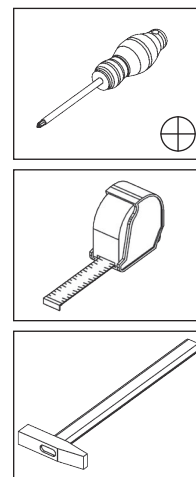
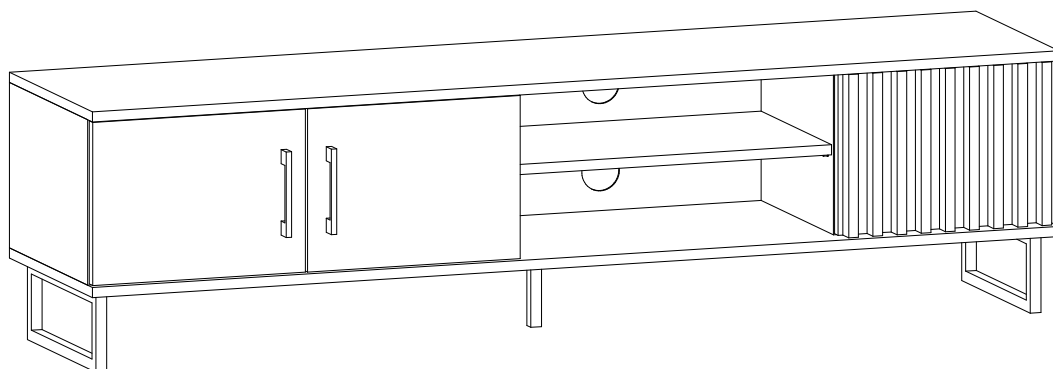










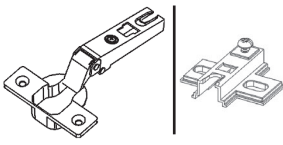

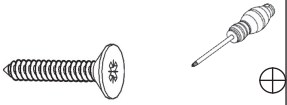

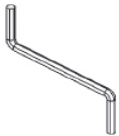

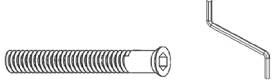

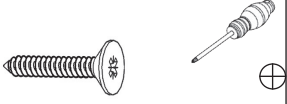

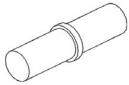


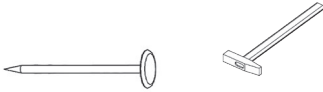

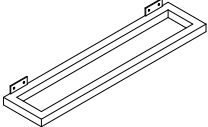

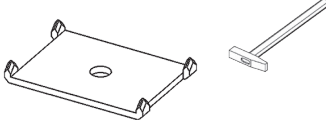



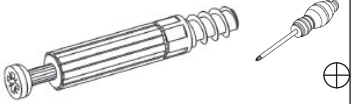




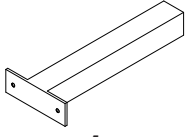


MALMO RTV 3D

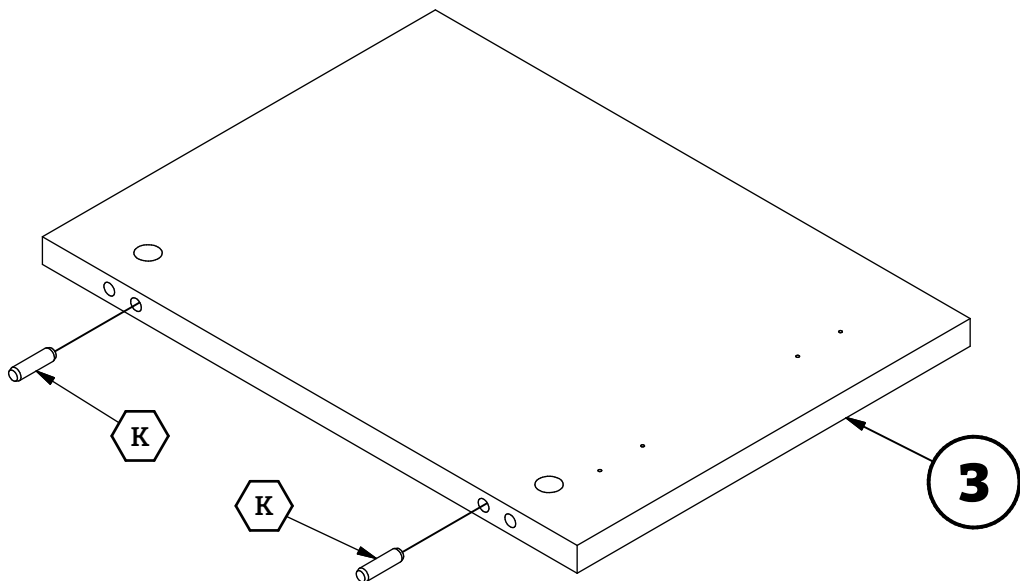
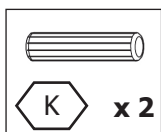
(183x45x43cm) - 35,4 kg



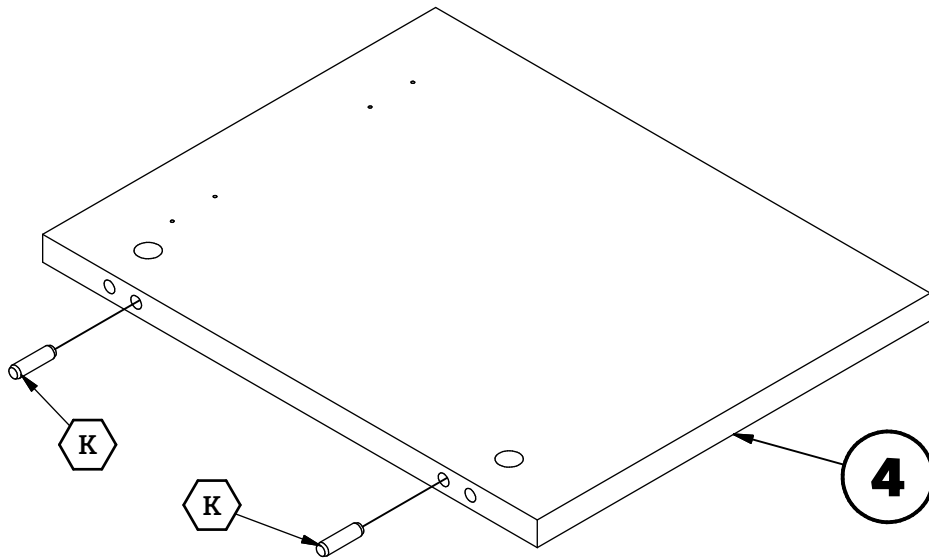
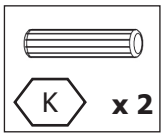
- | | | |
|---------------------------|---------------------------|--------------------------|
| ① x1 1800x425x18mm | ② x1 1800x425x18mm | ③ x1 294x400x18mm |
| ④ x1 294x370x18mm | ⑤ x1 294x370x18mm | ⑥ x1 294x400x18mm |
| ⑦ x2 290x396x18mm | ⑧ x1 290x396x48mm | ⑨ x1 598x365x18mm |
| ⑩ x1 618x325x3mm | ⑪ x1 388x325x3mm | ⑫ x1 788x325x3mm |

   <p>x 8 $\Phi 8 \times 35 \text{mm}$</p>	  <p>x 10 $\Phi 4 \times 20 \text{mm}$</p>	  <p>x 2</p>
  <p>x 4</p>	  <p>x 6</p>	  <p>x 12 $\Phi 4 \times 16 \text{mm}$</p>
  <p>x 1</p>	  <p>x 8 7×50</p>	  <p>x 12 $\Phi 3,5 \times 16 \text{mm}$</p>
   <p>x 6</p>	  <p>x 54</p>	  <p>x 2</p>
  <p>x 6</p>	  <p>x 8</p>	  <p>x 8</p>
   <p>x 8</p>	  <p>x 1</p>	

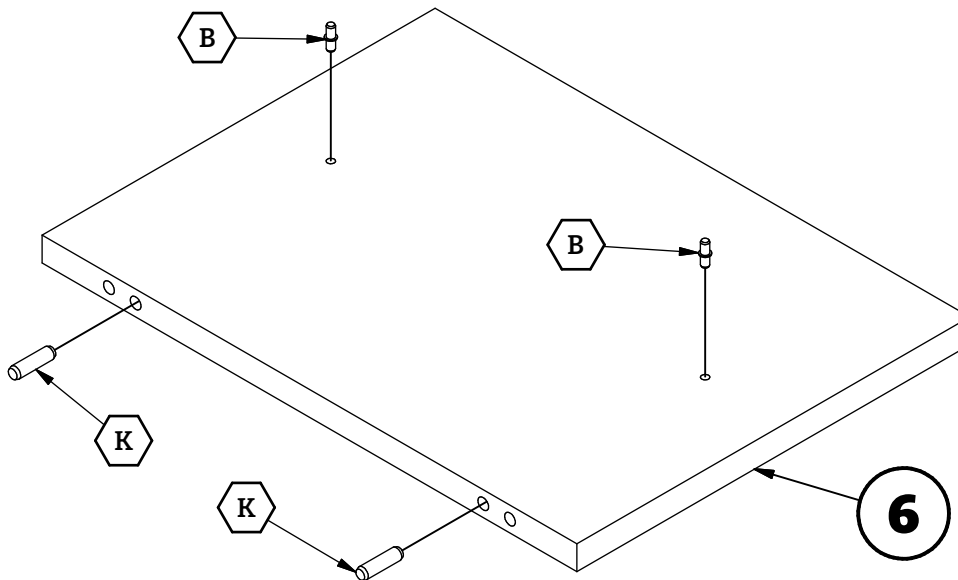
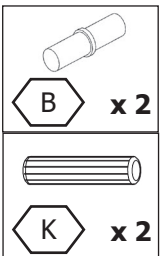
1



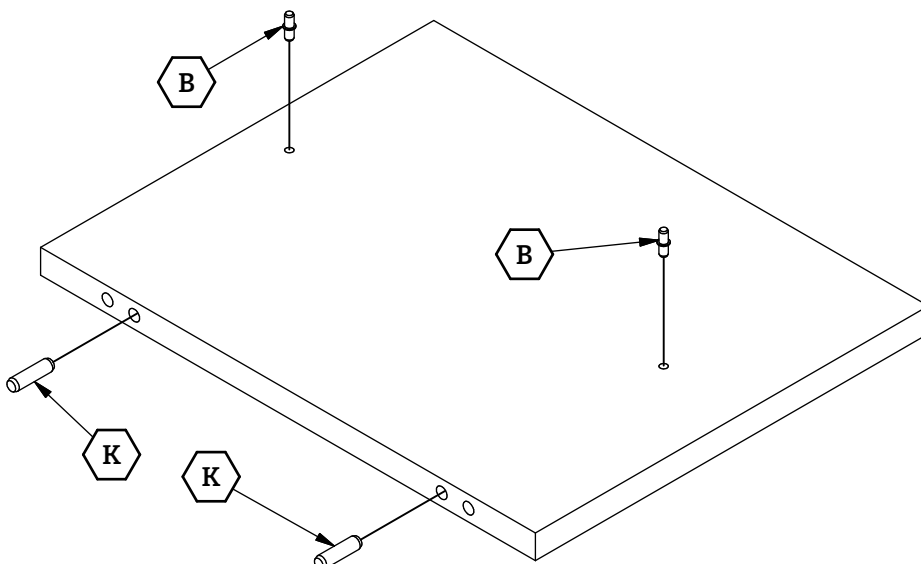
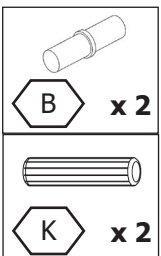
2



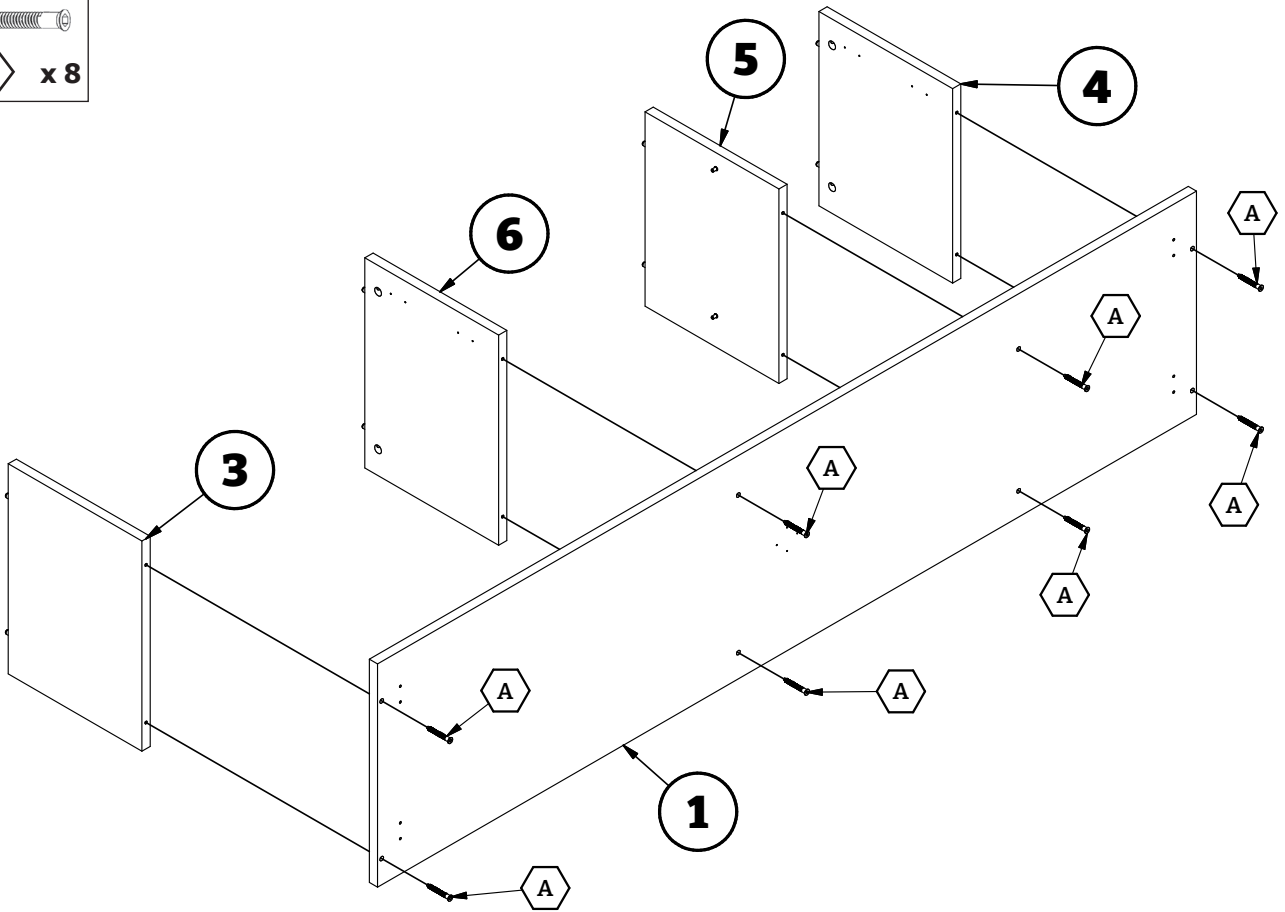
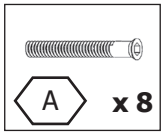
3



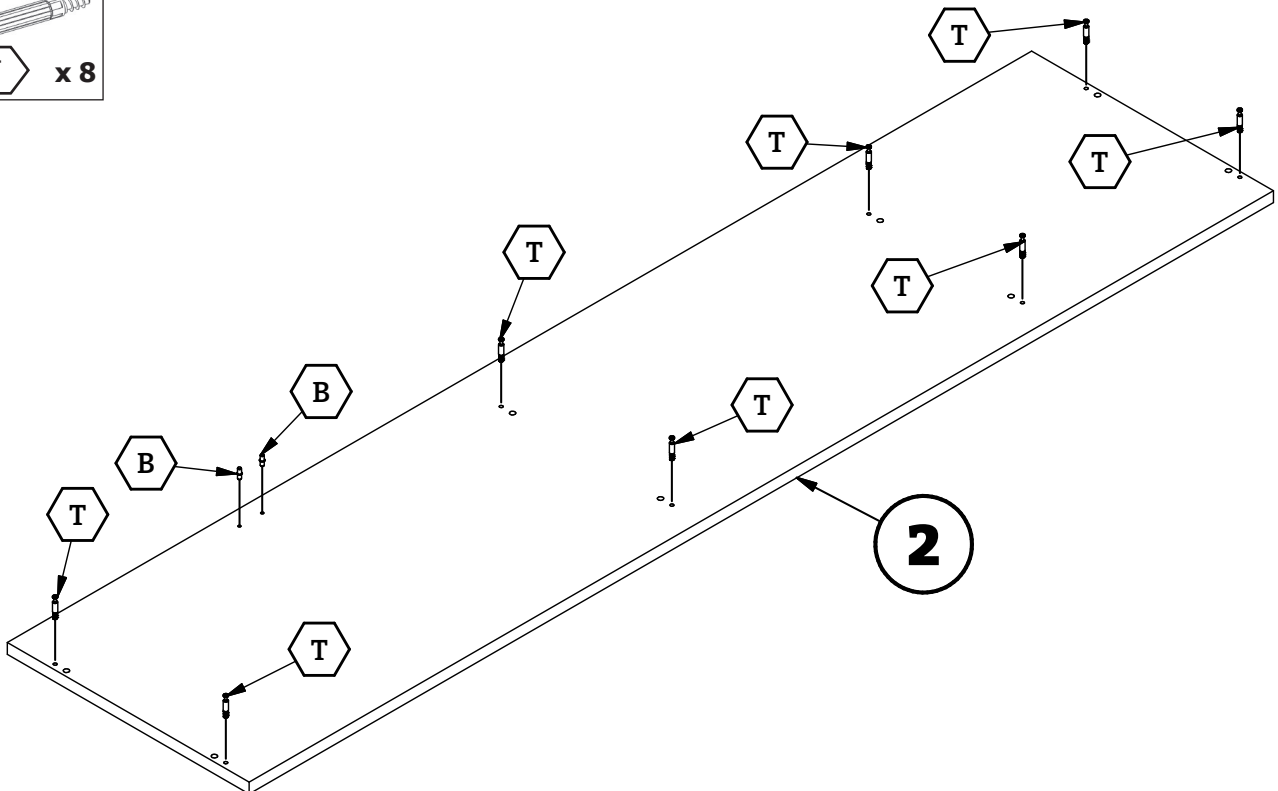
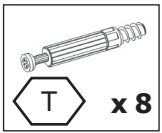
4



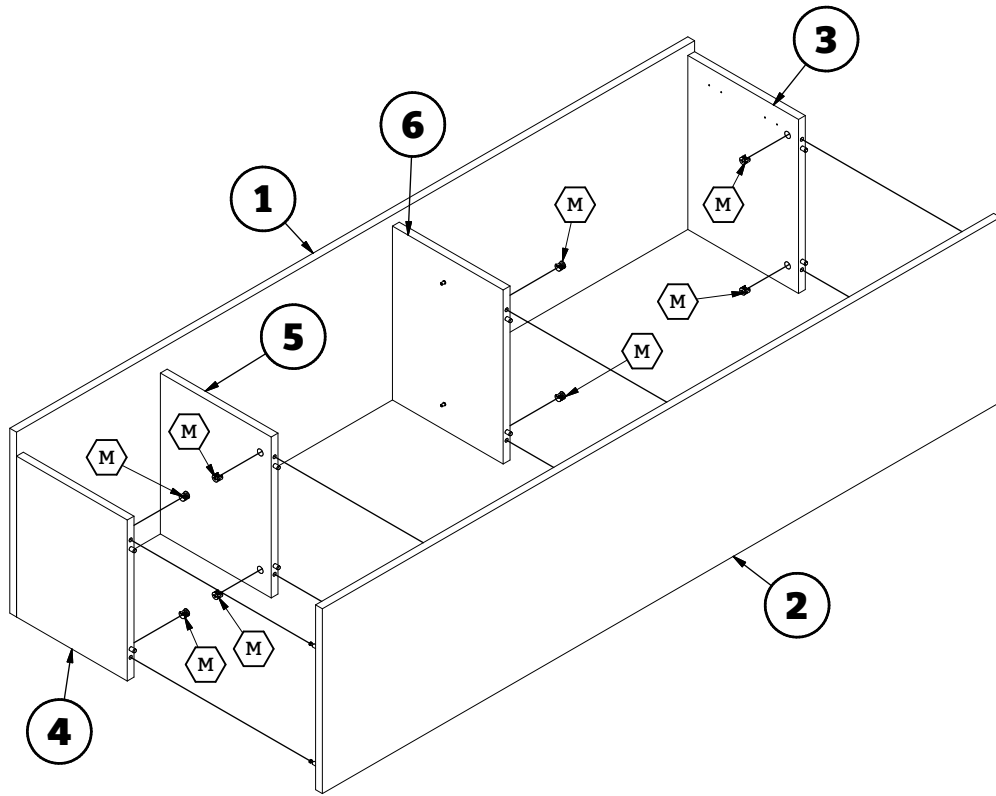
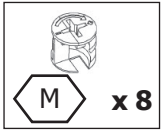
5



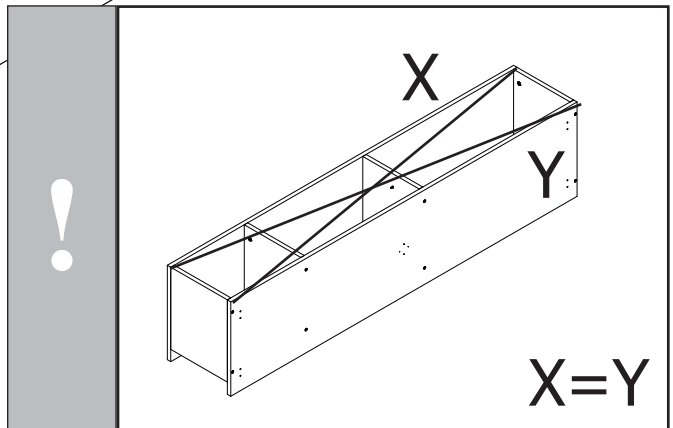
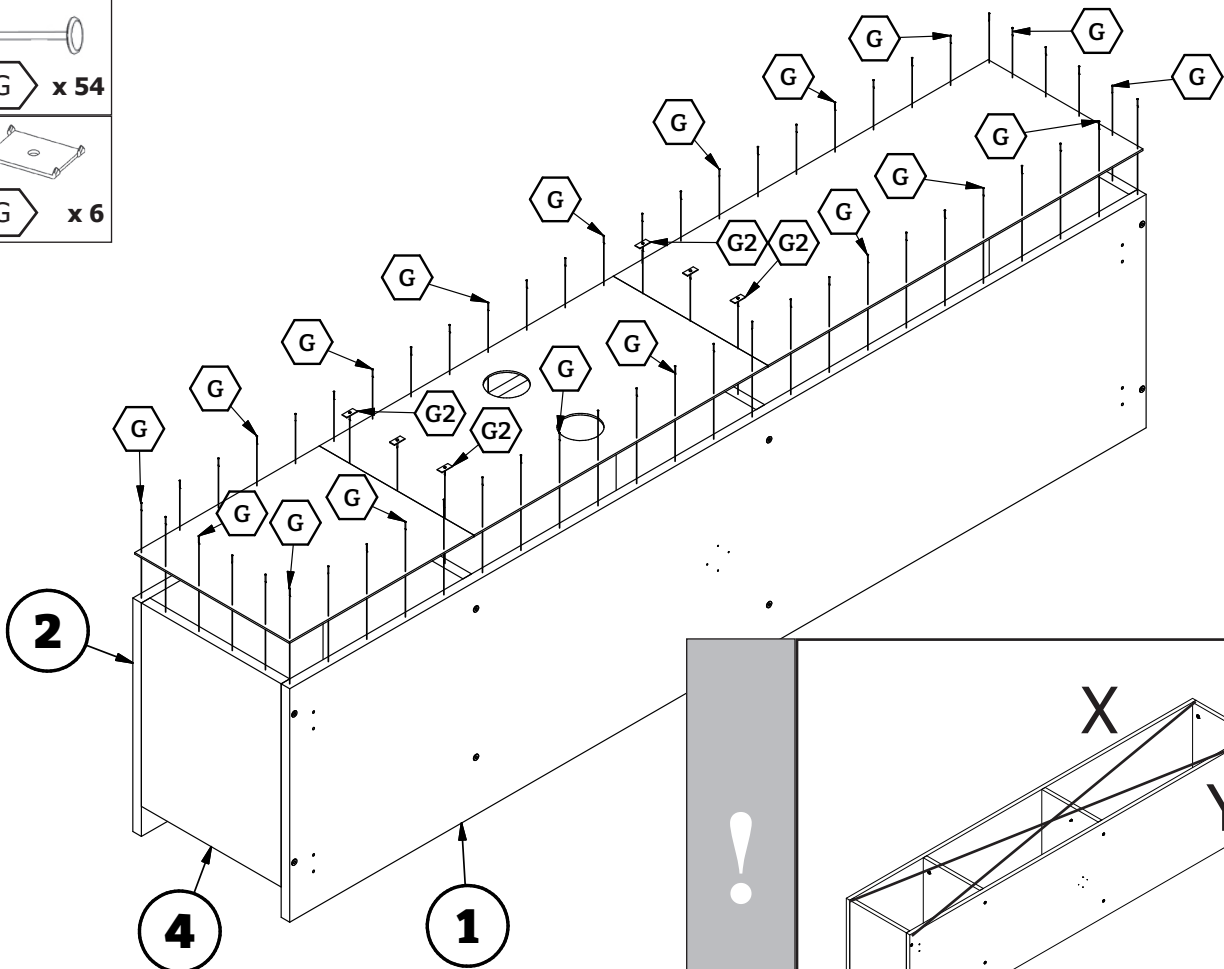
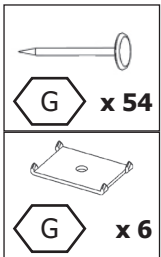
6



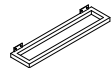
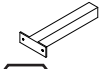

7

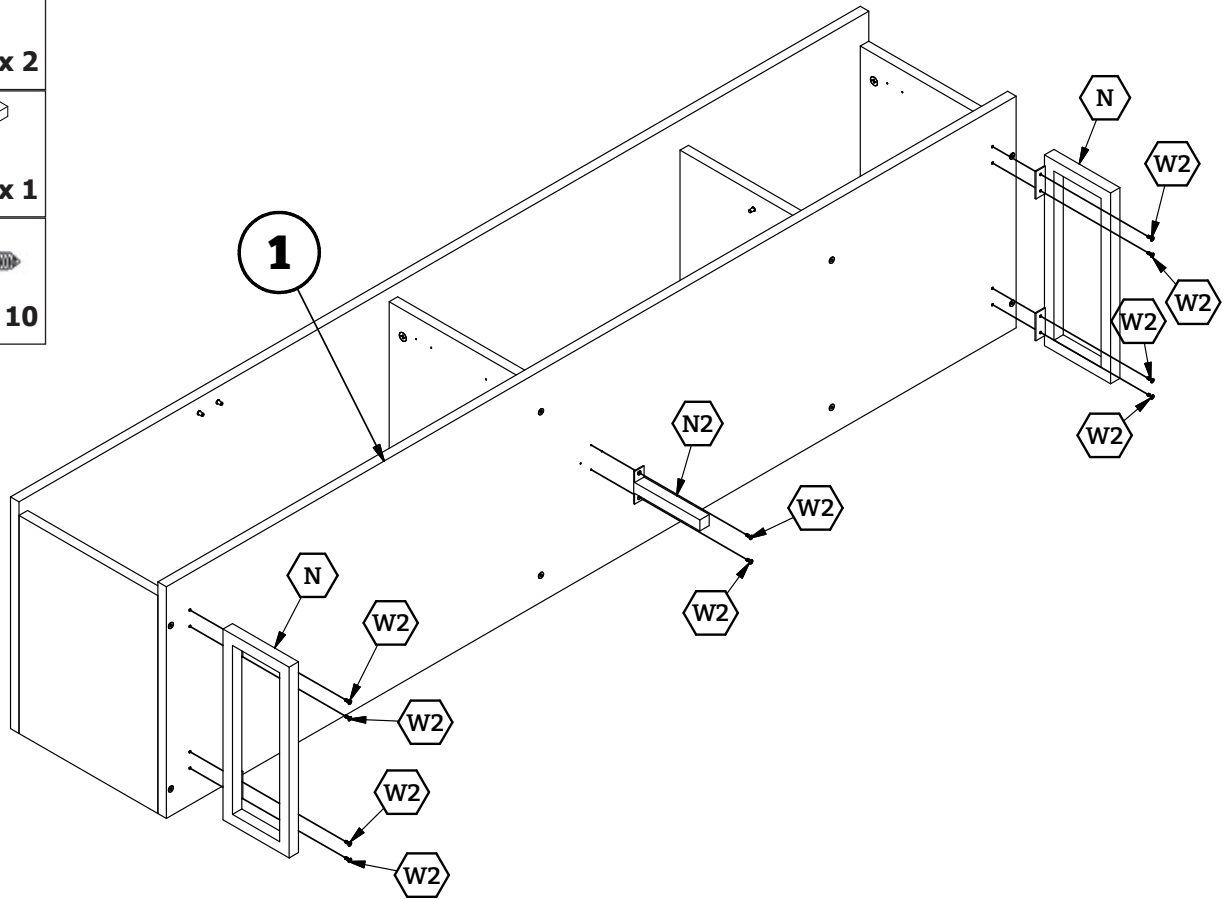


8

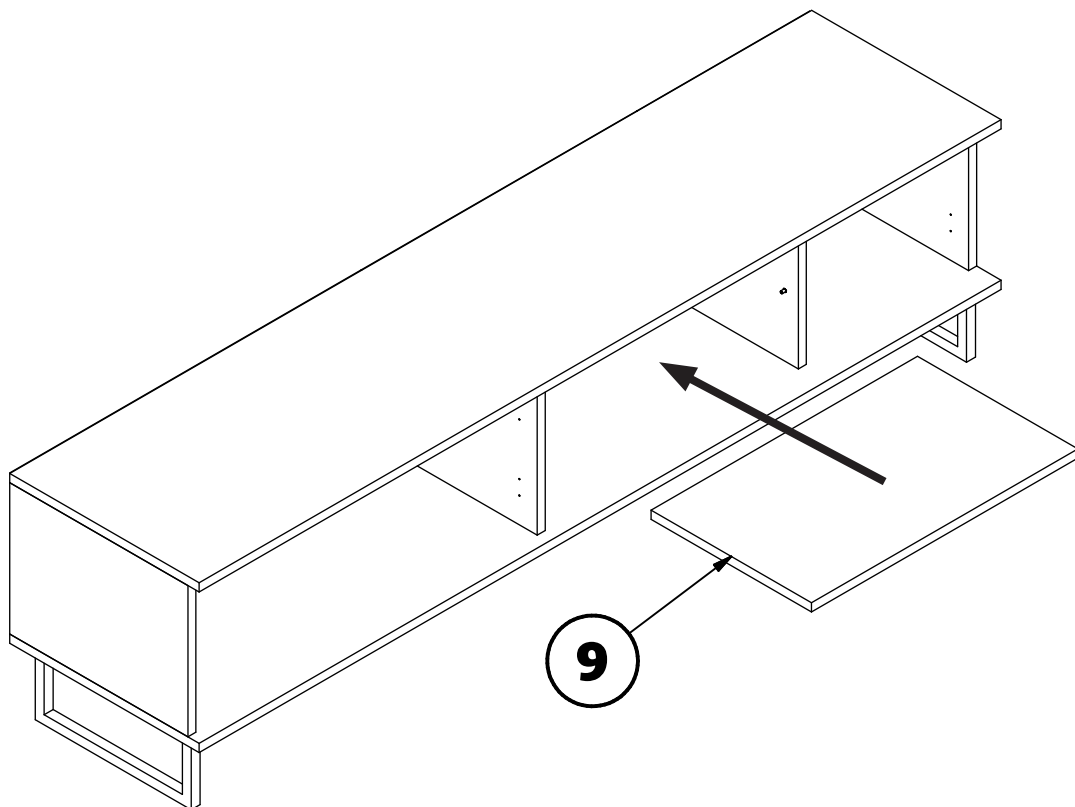


9

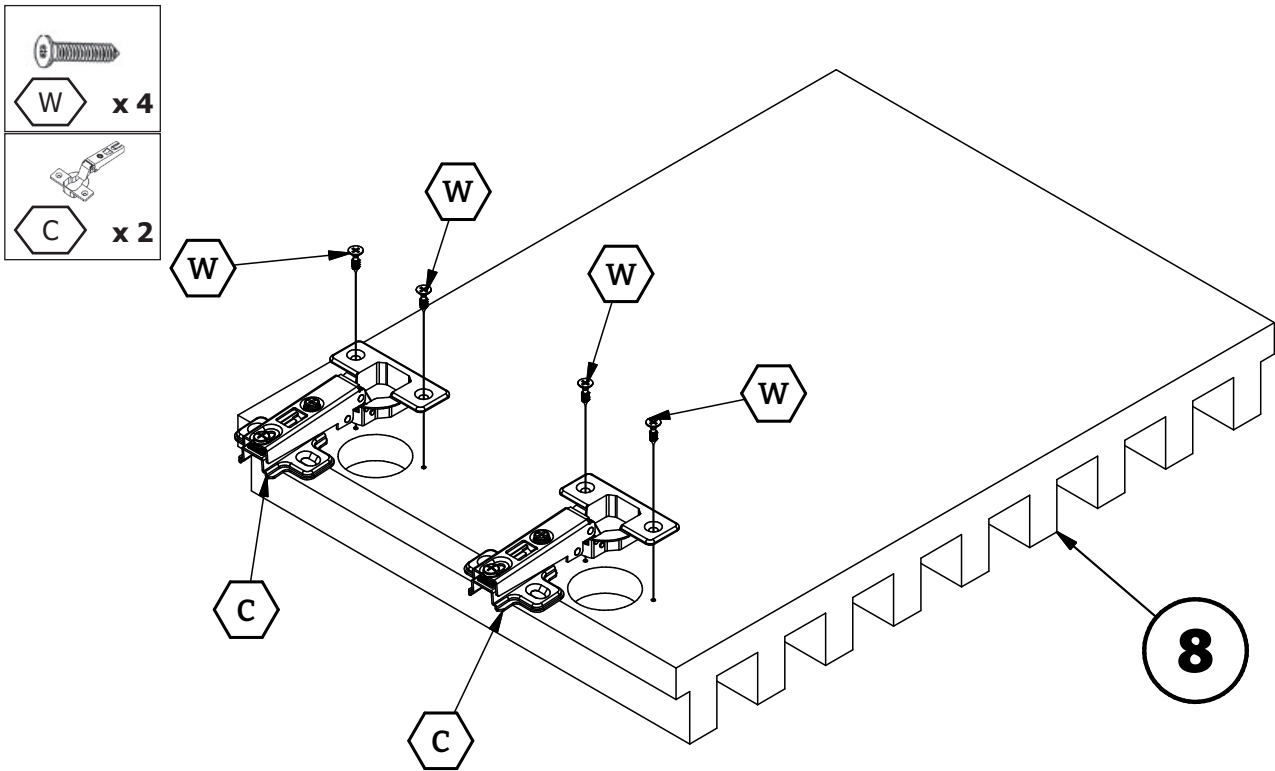
-  **N** x 2
-  **N2** x 1
-  **W2** x 10



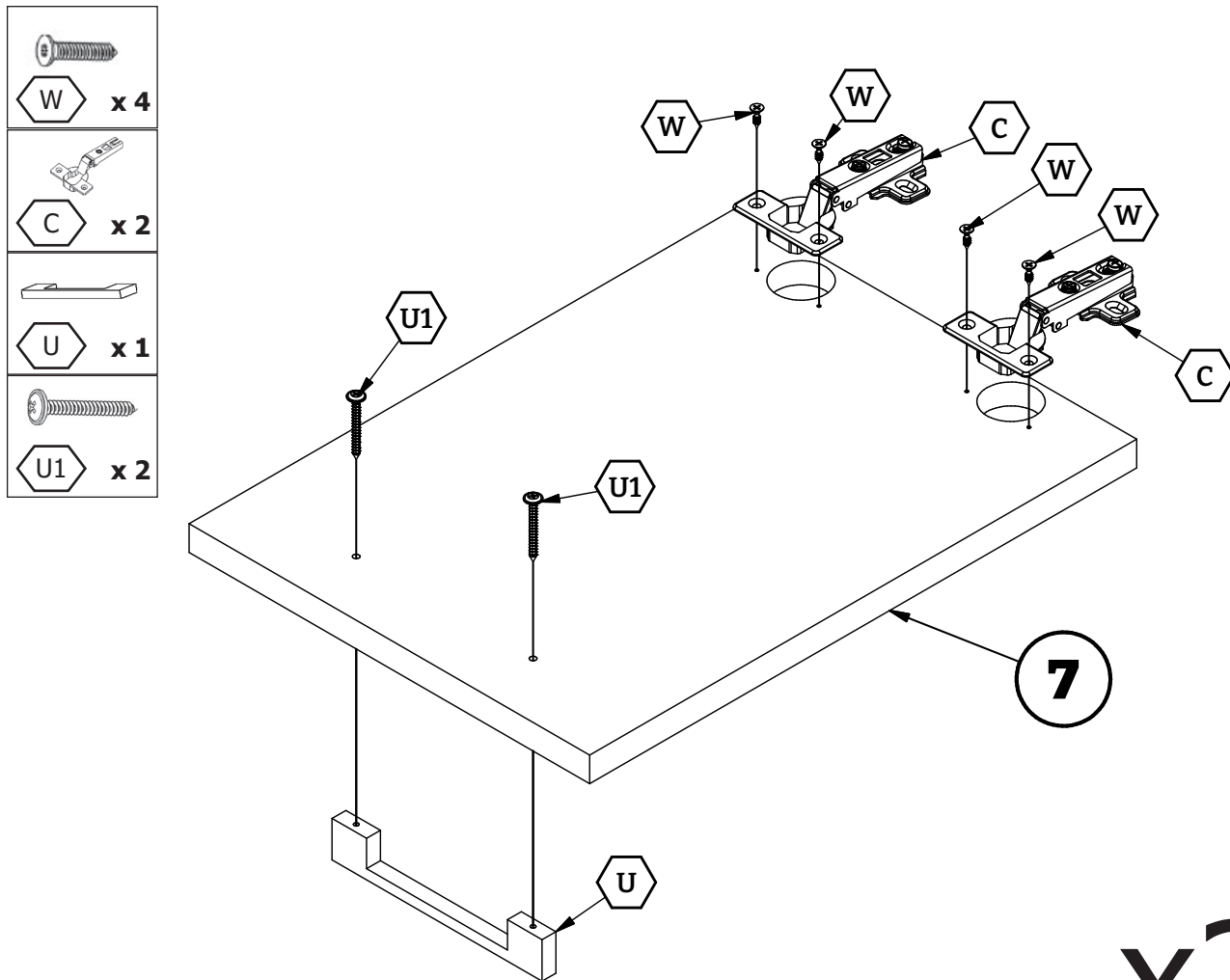
10



11



12



x2

