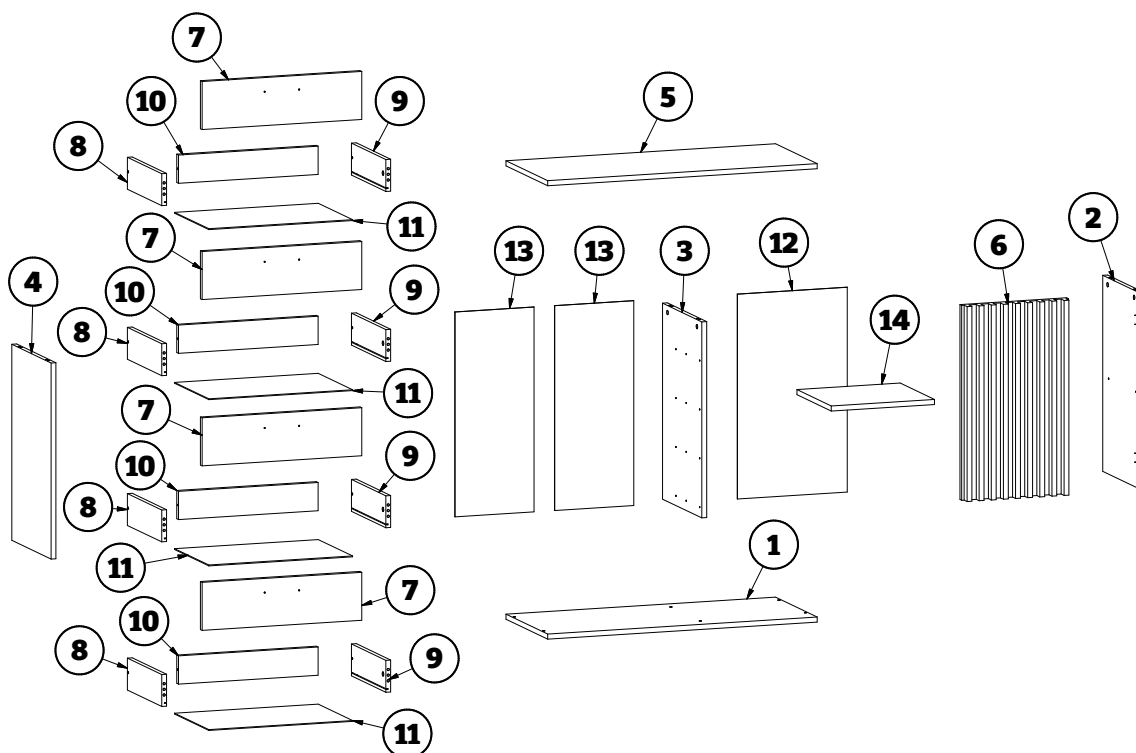
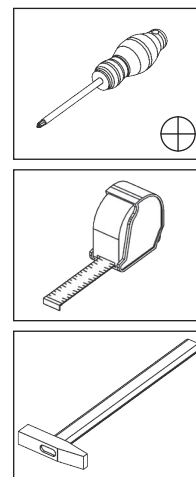
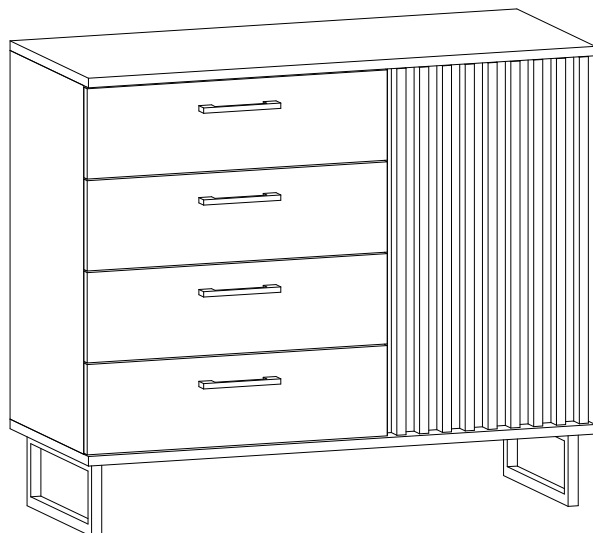


MALMO KOMODA 1D4S

(103x85x43cm) - 52.1 kg



① **x1** 1000x425x18mm

② **x1** 694x370x18mm

③ **x1** 694x400x18mm

④ **x1** 694x400x18mm

⑤ **x1** 1000x425x18mm

⑥ **x1** 690x396x48mm

⑦ **x4** 170x592x18mm

⑧ **x4** 350x113x16mm

⑨ **x4** 350x113x16mm












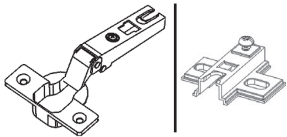




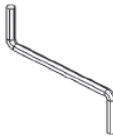


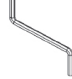




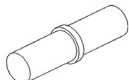



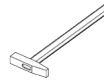
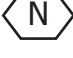
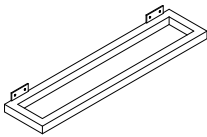

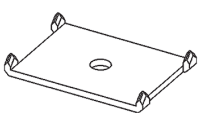
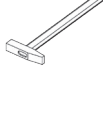




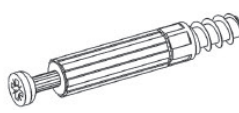





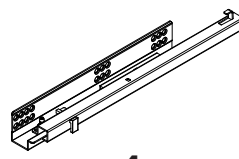


⑩ **x4** 518x100x16mm

⑪ **x4** 640x357x3mm

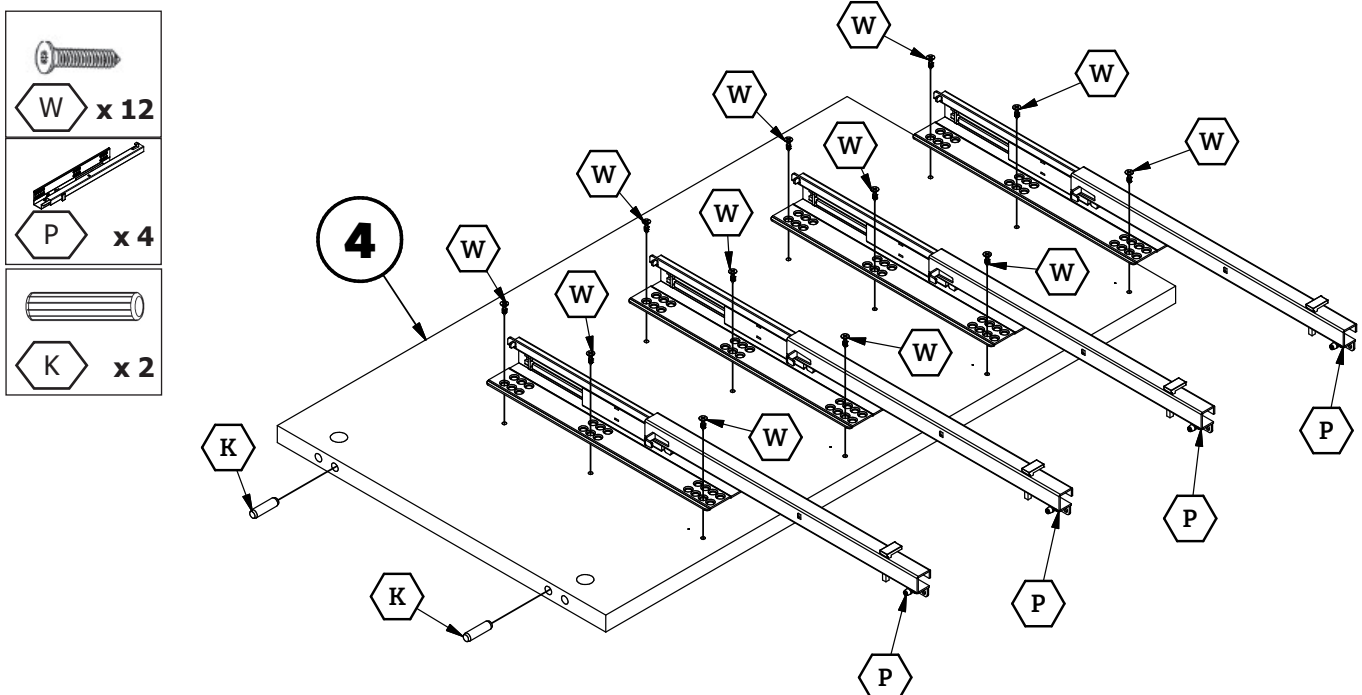
⑫ **x1** 725x406x3mm

⑬ **x2** 725x294x3mm

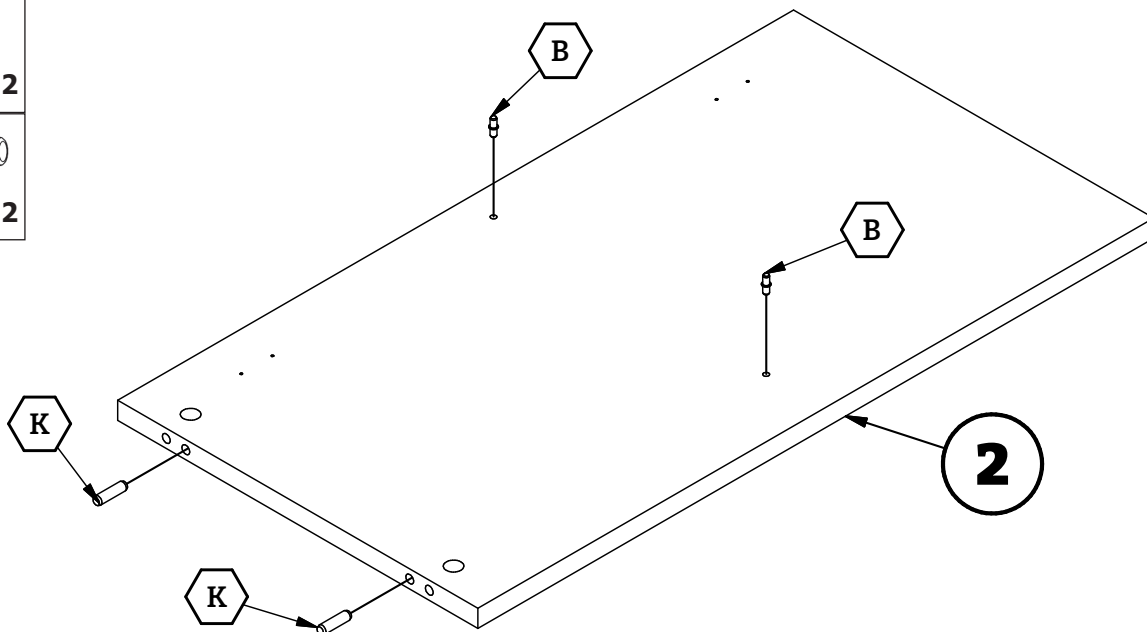
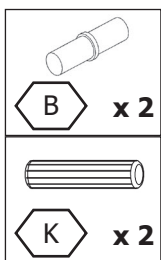
⑭ **x1** 383x370x18mm

   <p>x 24 $\Phi 8 \times 35 \text{mm}$</p>	   <p>x 8 $\Phi 4 \times 20 \text{mm}$</p>	  <p>x 4</p>
  <p>x 8</p>	  <p>x 2</p>	   <p>x 4 $\Phi 4 \times 16 \text{mm}$</p>
  <p>x 1</p>	   <p>x 14 7×50</p>	   <p>x 28 $\Phi 3,5 \times 16 \text{mm}$</p>
   <p>x 4</p>	   <p>x 74</p>	  <p>x 2</p>
   <p>x 5</p>	   <p>x 14</p>	   <p>x 14</p>
   <p>x 14</p>	  <p>x 4</p>	  <p>x 1</p>

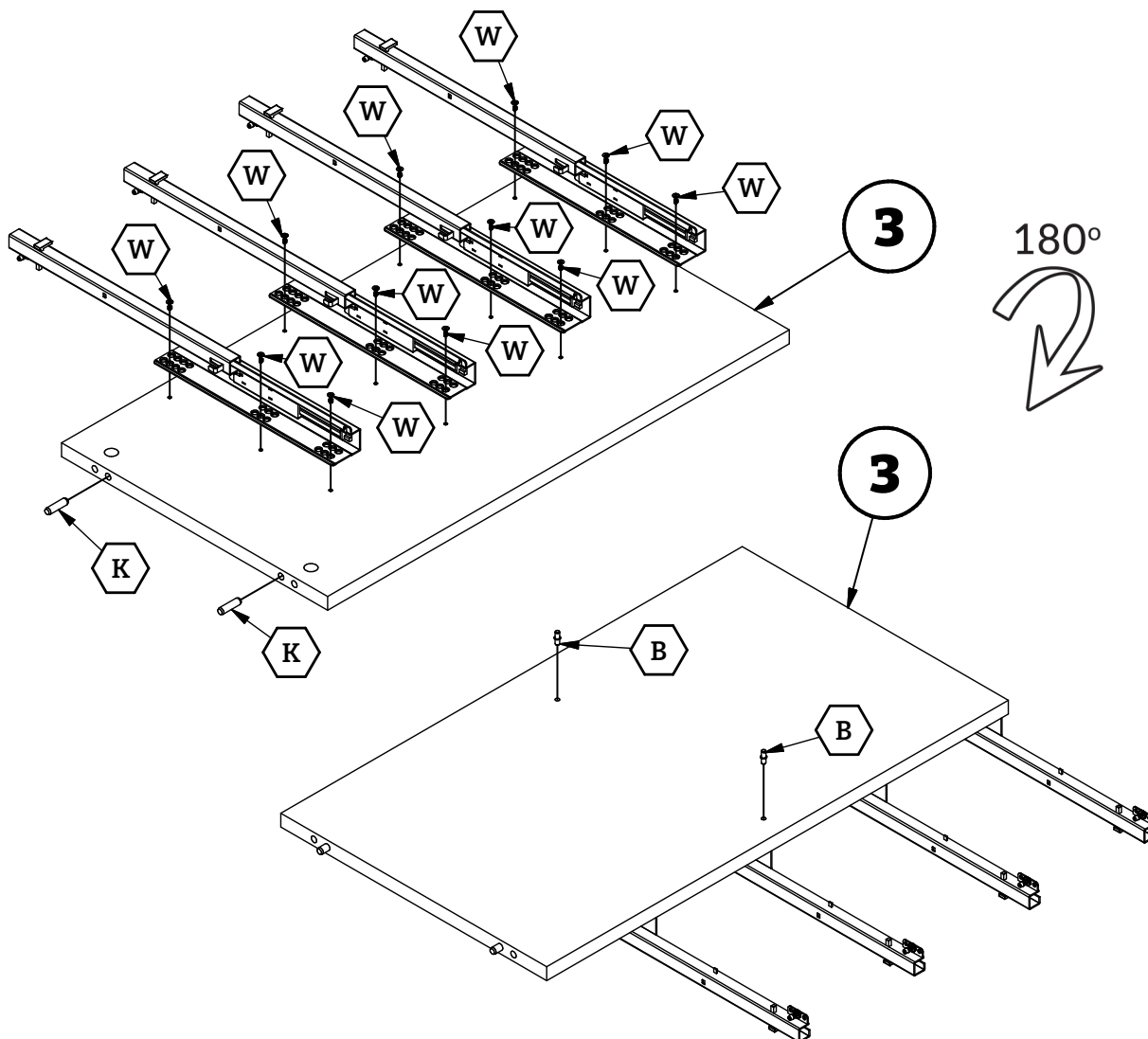
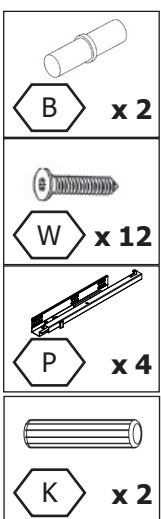
1



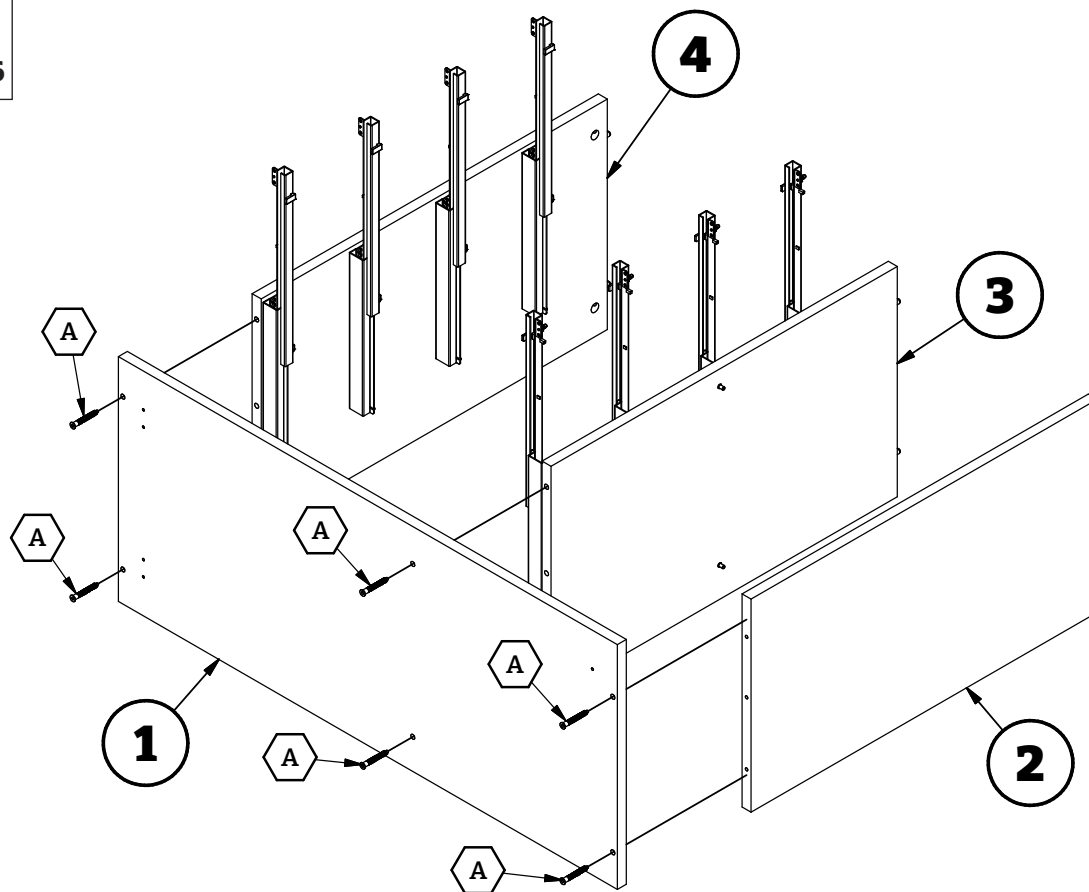
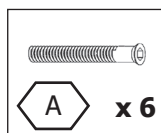
2



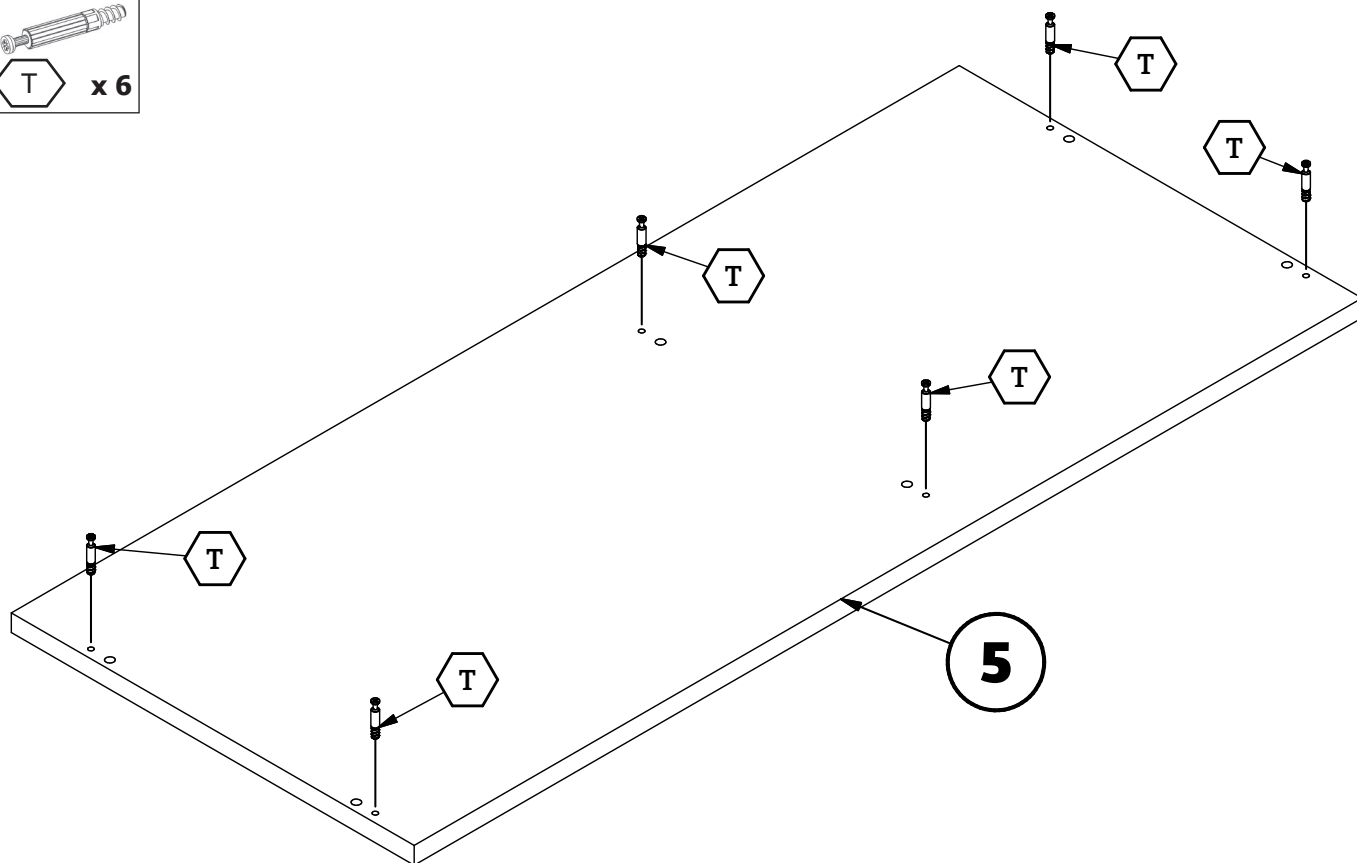
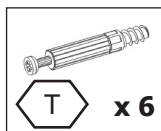
3



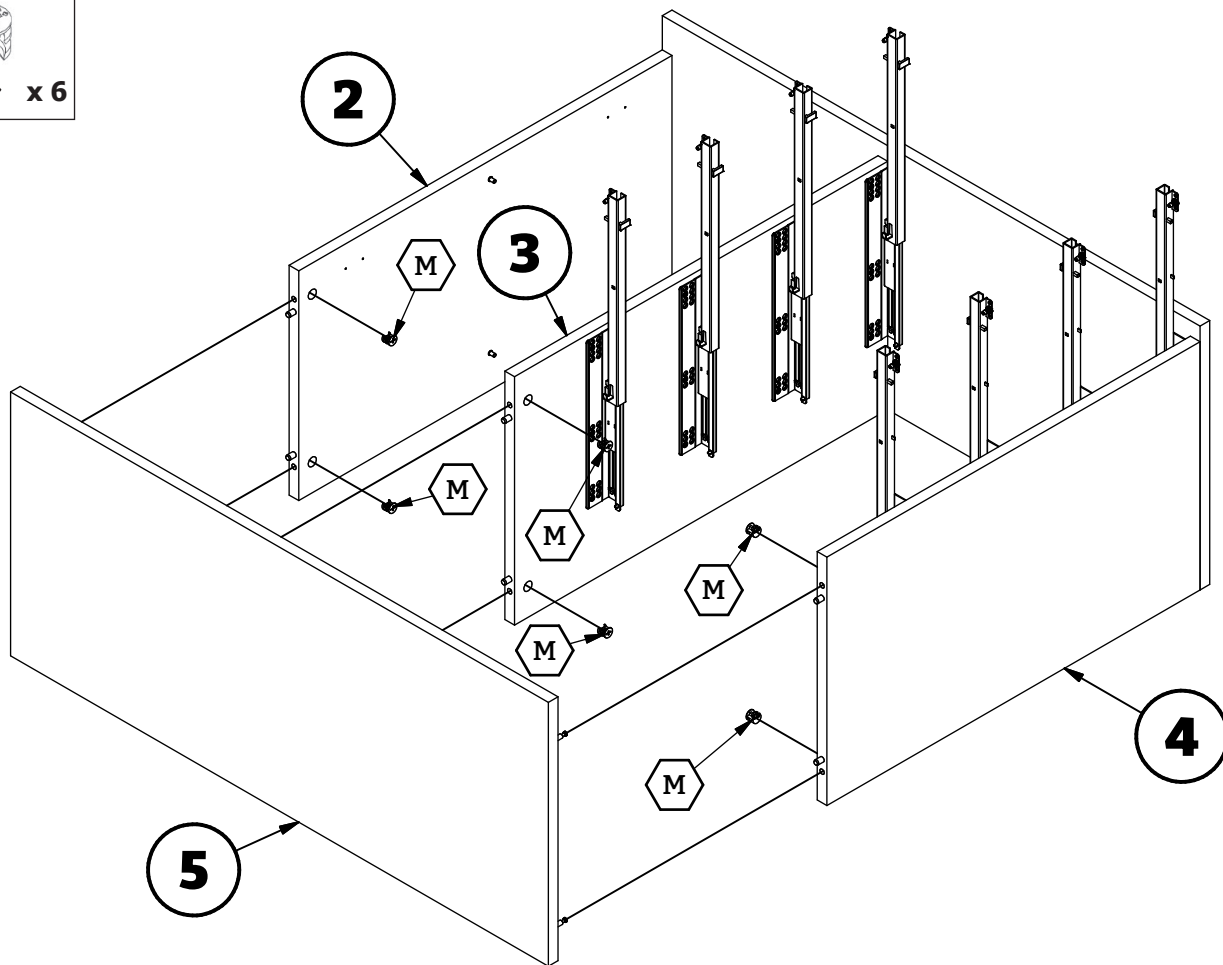
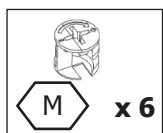
4



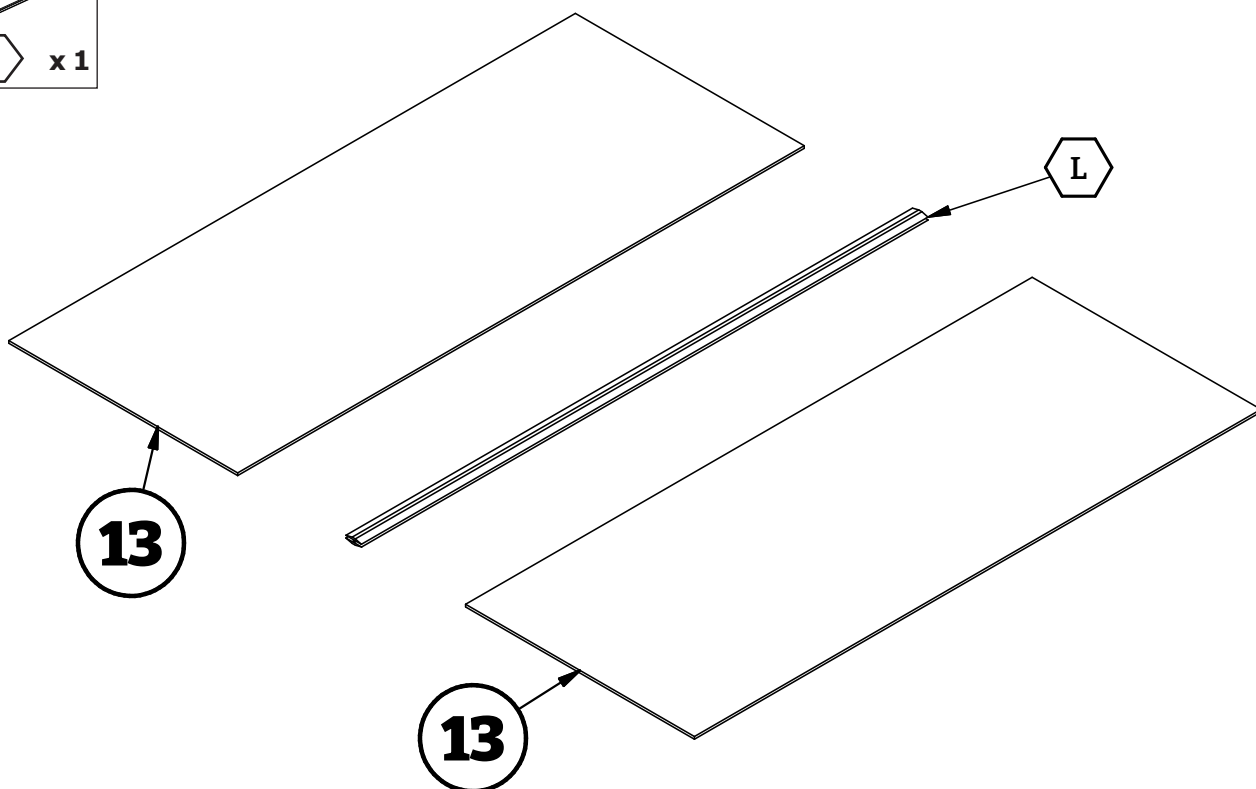
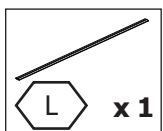
5

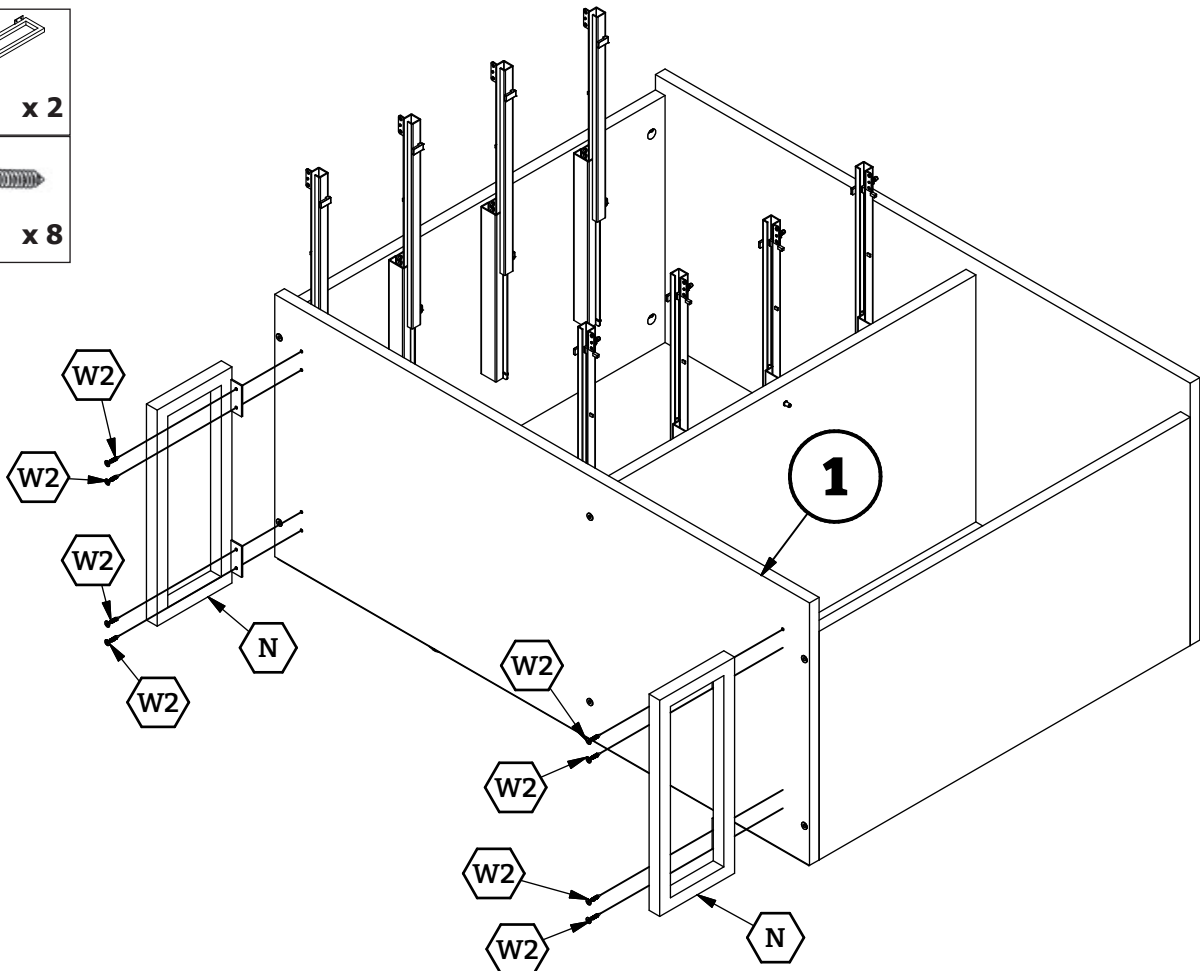
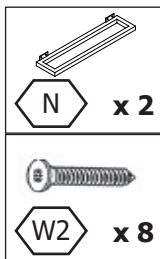
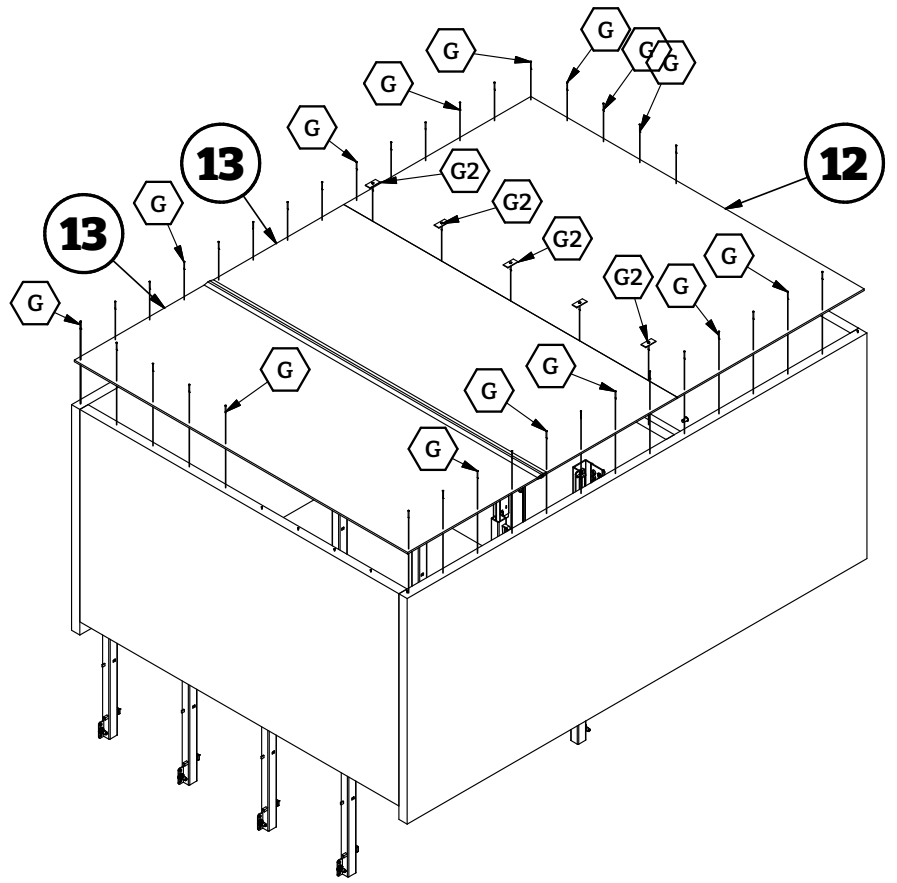
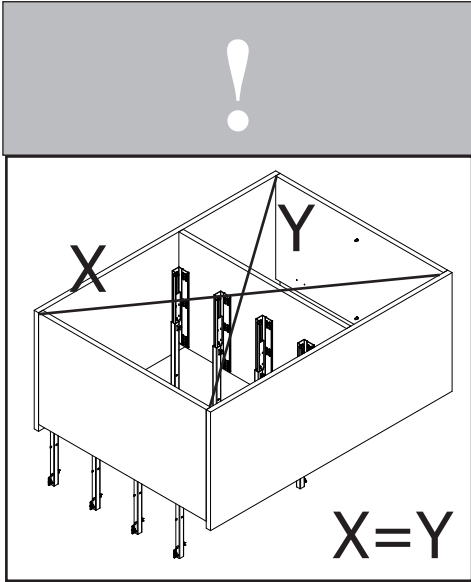
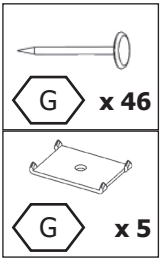


6

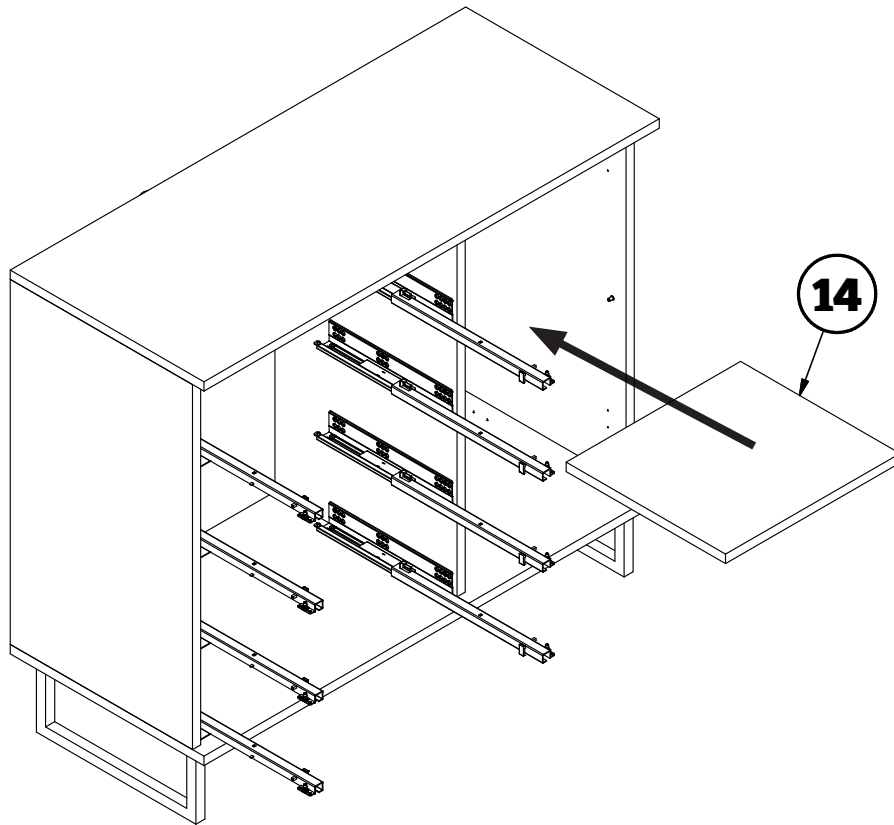


7

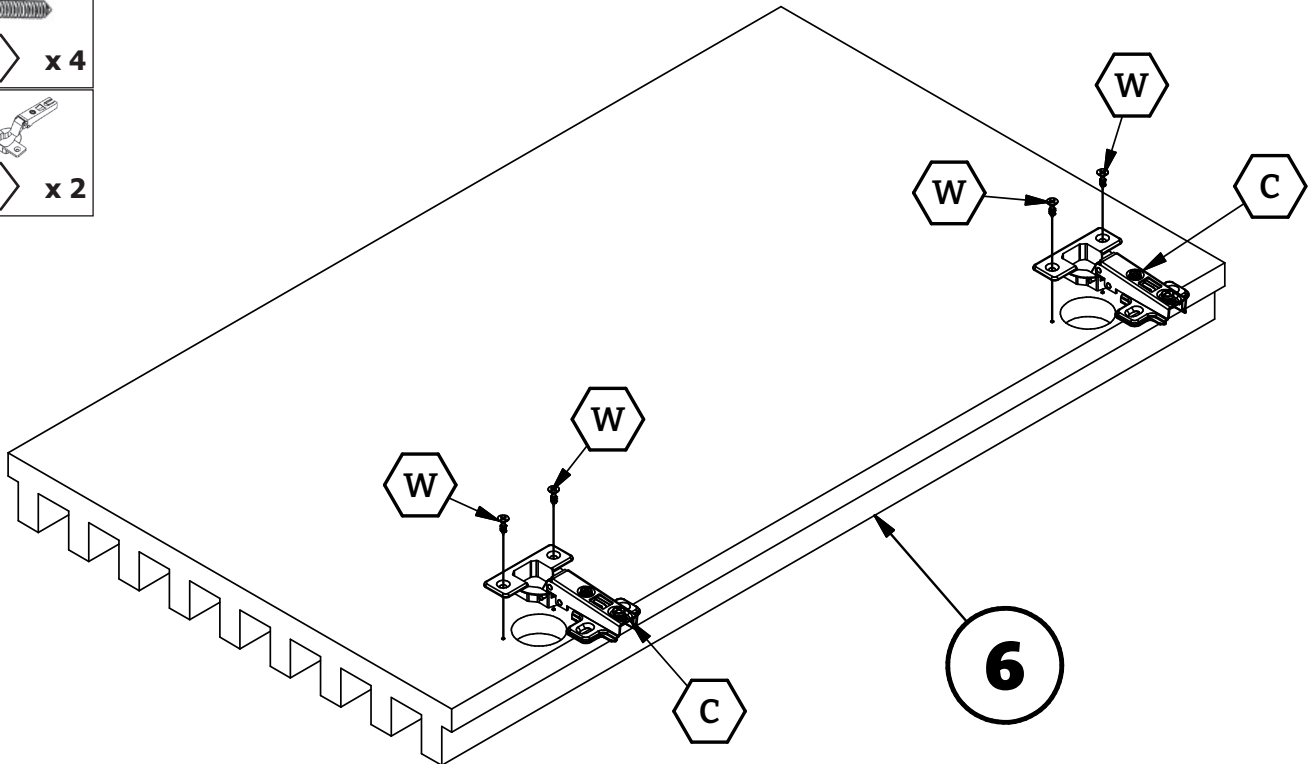
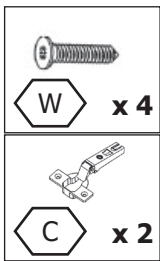


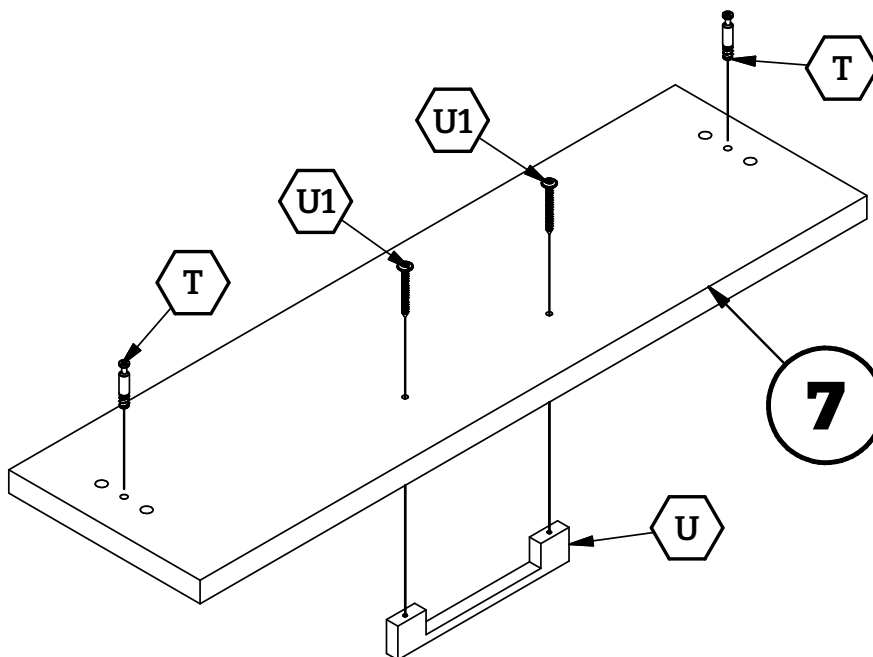
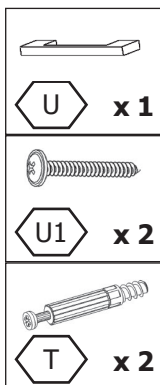
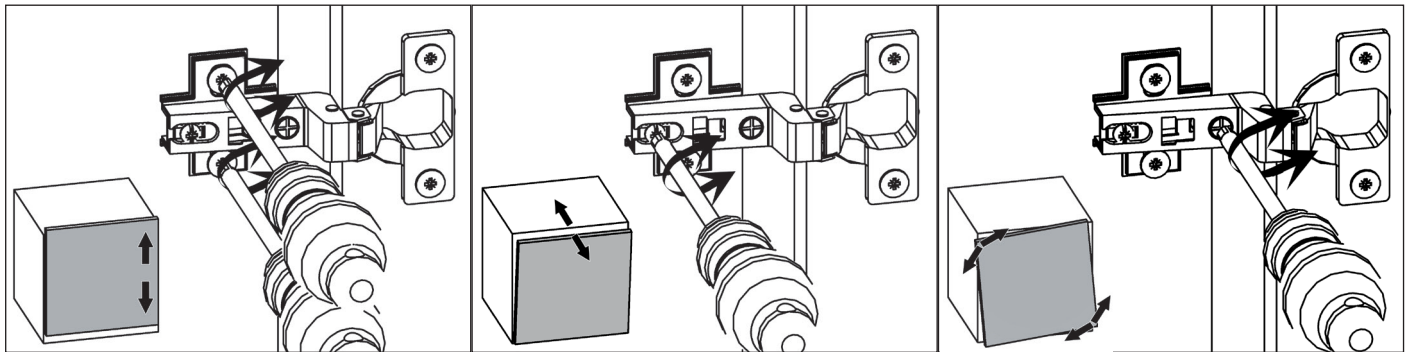
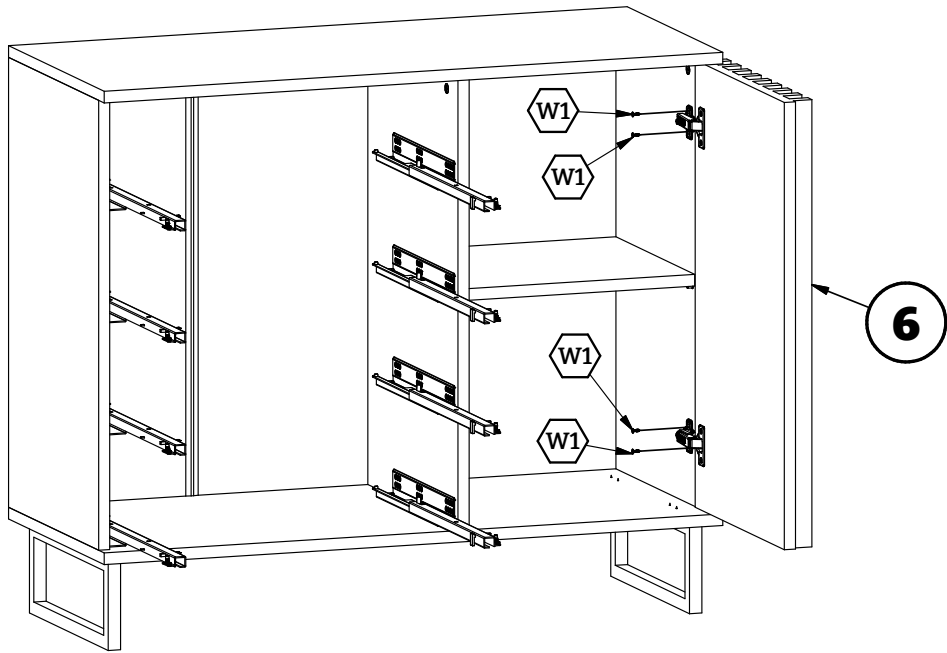
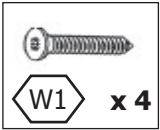


10



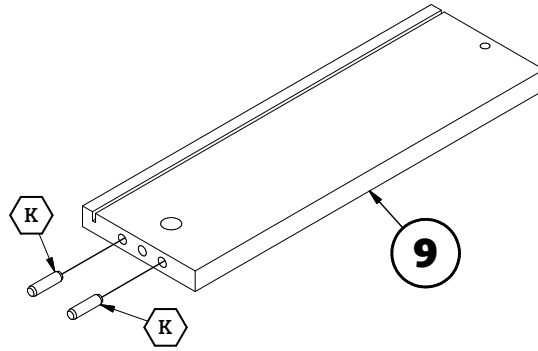
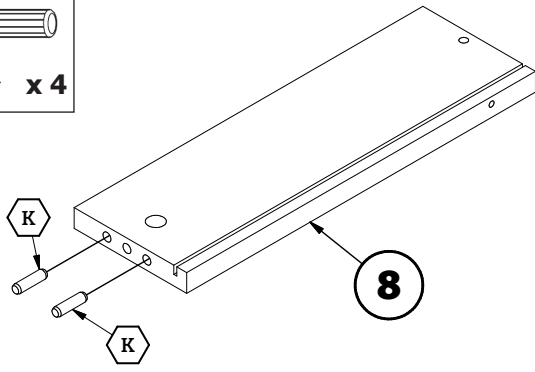
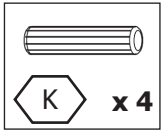
11





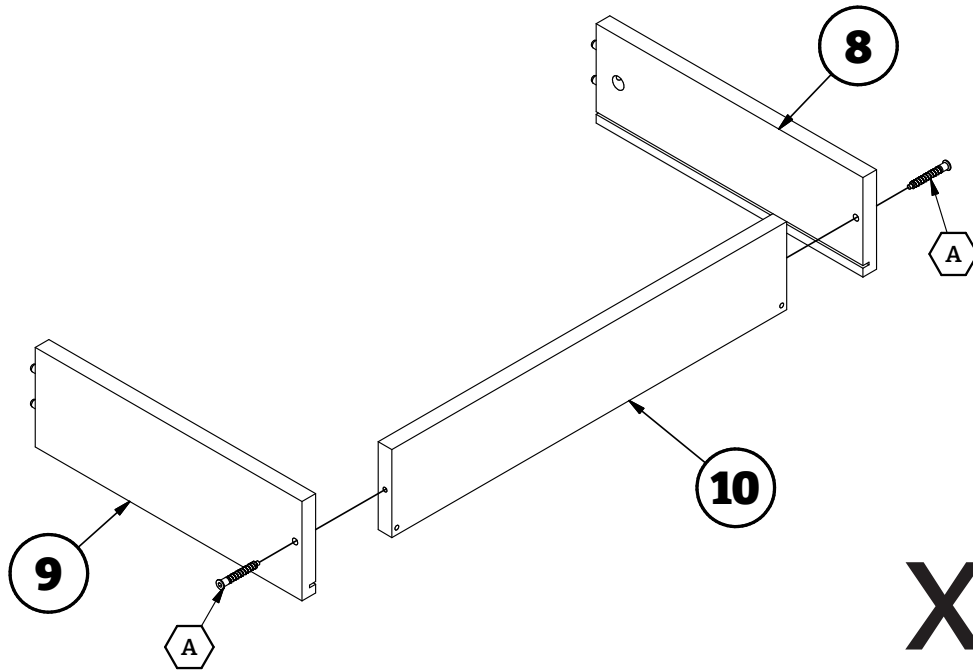
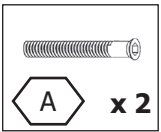
x4

14



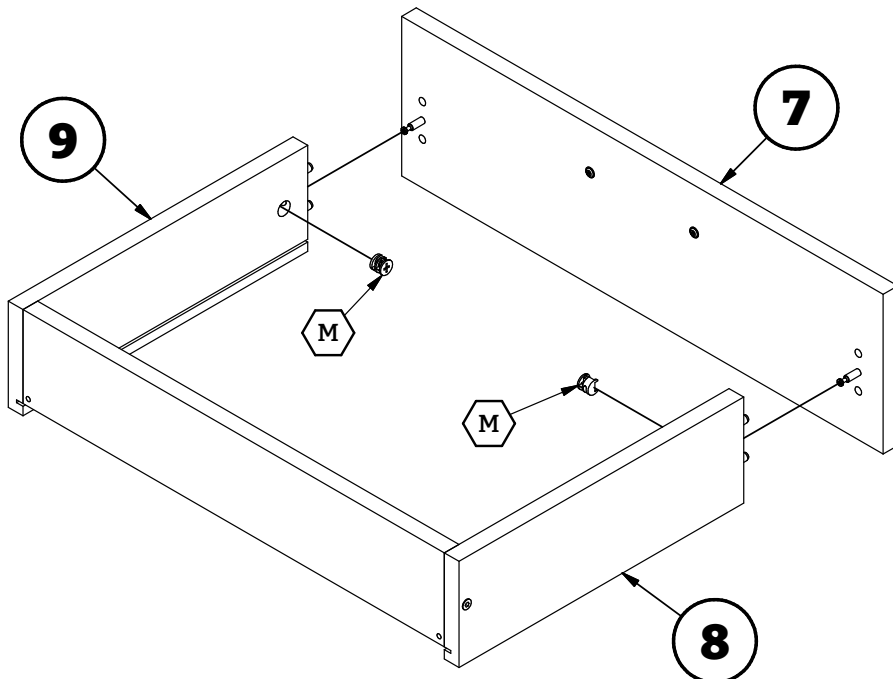
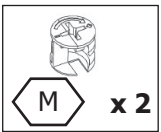
x4

15



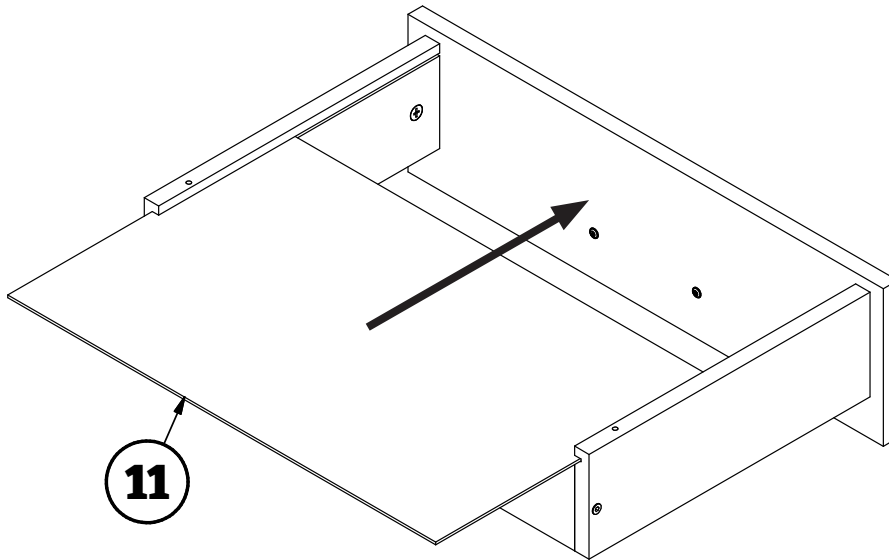
x4

16



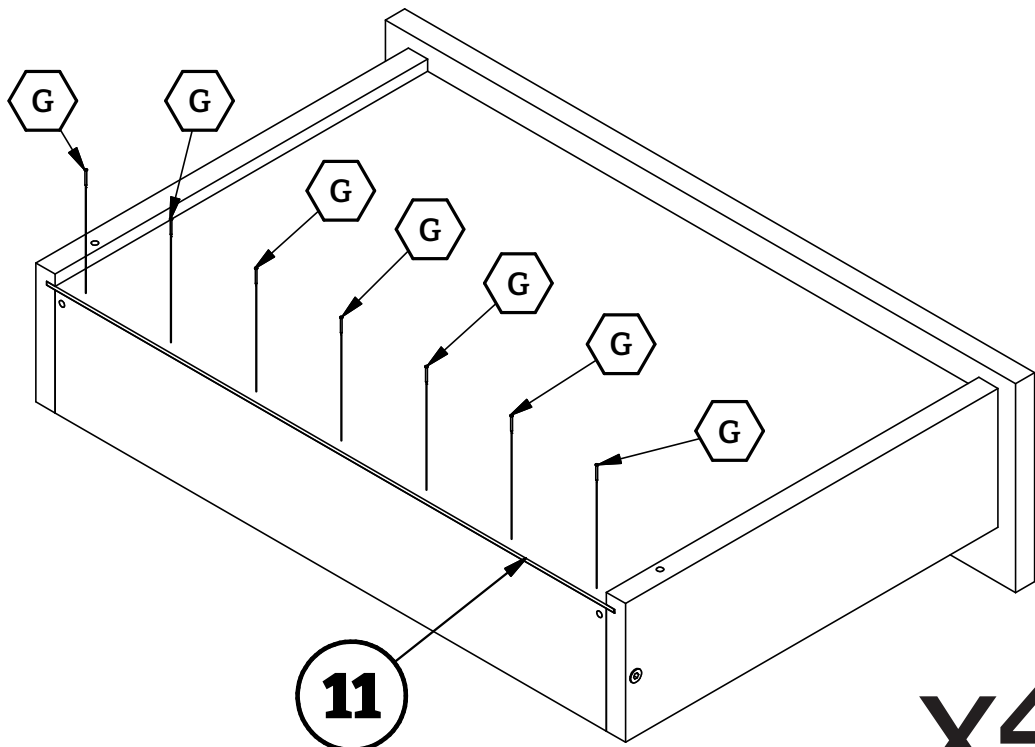
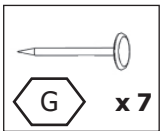
x4

17



x4

18



x4

